

Cisco..010-151.by.Tom.88q

Number: 010-151  
Passing Score: 800  
Time Limit: 120  
File Version: 12.0

**Exam Code: 010-151**  
**Exam Name: Supporting Cisco Data Center System Devices (DCTECH)**



## Exam A

### QUESTION 1

Which two statements about DIMM replacement in Cisco UCS Servers are true? (Choose two.)

- A. In blade servers, DIMMs can be installed in either 1, 2, 4, or 8 DIMMs per channel.
- B. Rack-mount and blade servers have memory fault LEDs that indicate which DIMM requires attention.
- C. In servers that require pairs of DIMMs, the pairs must be identical (manufacturer, size, part #, and so on).
- D. If the memory in a server is not fully populated, you can install DIMMs in any open slot.

**Correct Answer: A, C**

**Section:**

### QUESTION 2

Which three tools are necessary to console into a Cisco UCS C-Series Rack-Mount Server? (Choose three.)

- A. Cisco DB-9-to-RJ-45 console cable
- B. laptop
- C. monitor
- D. keyboard
- E. KVM dongle
- F. USB serial adapter

**Correct Answer: C, D, E**

**Section:**

### QUESTION 3

After installation or replacement of a Cisco UCS C-Series Rack-Mount Server, the host does not boot. Which four options should be verified? (Choose four.)

- A. Verify the power source to the equipment.
- B. Check for loose HDD cables.
- C. Reseat the DIMMs, CPU, and PCI cards.
- D. Verify that power supplies are receiving power.
- E. Reseat the mezzanine card connector.
- F. Check the CPU sockets for bent pins.
- G. Check the Cisco IMC for fan faults.

**Correct Answer: A, C, D, F**

**Section:**

### QUESTION 4

Which three firmware components does the Host Upgrade Utility upgrade? (Choose three.)



- A. Fabric Interconnect firmware
- B. LAN on Motherboard
- C. Cisco UCS Manager
- D. CIMC
- E. System BIOS

**Correct Answer: B, D, E**

**Section:**

#### QUESTION 5

Which three troubleshooting procedures do you perform when there is no power to a Cisco UCS B250 M2 Blade Server? (Choose three.)

- A. Decommission and acknowledge the blade.
- B. Check the back of the blade to ensure that there is no damage to the connection that goes into chassis.
- C. Reseat the memory DIMMs.
- D. Check the CPU sockets for bent pins.
- E. Reseat the blade in the same slot in the chassis.
- F. Move the blade to another slot in the chassis.

**Correct Answer: B, E, F**

**Section:**

#### QUESTION 6

Which two remote file system methods are used in the training material to transfer firmware to the Fabric Interconnect? (Choose two.)

- A. FTPS
- B. FTP
- C. TFTP
- D. RSH

**Correct Answer: B, C**

**Section:**

#### QUESTION 7

On which three devices can the Host Upgrade Utility be performed? (Choose three.)

- A. C420
- B. C230
- C. B230
- D. B210
- E. C210
- F. B460
- G. C240

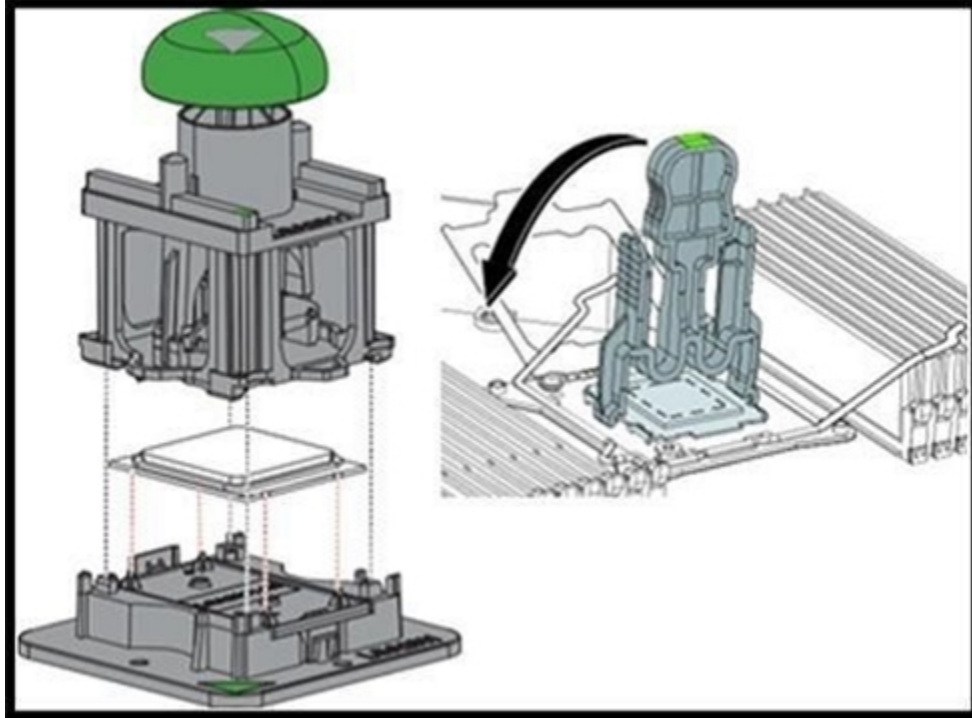
**Correct Answer: A, E, G**

**Section:**



### QUESTION 8

Refer to the exhibit.



This image shows a CPU Pick-and-Place tool and a CPU Socket Protective Cap Removal tool. Which types of Cisco UCS servers and Intel Xeon processors do these tools support?

- A. Cisco UCS B22 Blade Server, C22 Rack Server, and C24 Rack Server with Intel Xeon E5-2400 Series processors
- B. Cisco UCS B22 Blade Server, C22 Rack Server, and C24 Rack Server with Intel Xeon E5-2600 Series processors
- C. Cisco UCS B200 M3 Blade Server, B420 M3 Blade Server, C220 Rack Server, C240 Rack Server, and C420 Rack Server with Intel Xeon E5-2400 Series processors
- D. Cisco UCS B200 M3 Blade Server, B420 M3 Blade Server, C220 Rack Server, C240 Rack Server, and C420 Rack Server with Intel Xeon E5-2600 Series processors

**Correct Answer: D**

**Section:**

### QUESTION 9

When a host firmware package policy is created, what must it be associated with to upgrade the BIOS?

- A. blade or blade pool
- B. service profile
- C. boot policy
- D. service template

**Correct Answer: B**

**Section:**

### QUESTION 10

Which three components are hot swappable in a Cisco UCS Blade Server and Chassis? (Choose three.)

- A. Fabric Extender
- B. Power supply
- C. Heat sink

- D. SAS Hard Drive
- E. 2x8GB Kit DIMMs
- F. Mezzanine card

**Correct Answer: A, B, D**

**Section:**

**QUESTION 11**

Which five things should the administrator verify after performing maintenance or replacing a blade server? (Choose five.)

- A. blade server status
- B. hard drive status
- C. host OS boot status
- D. CPU status
- E. mezzanine card status
- F. memory DIMM status
- G. fan and power status

**Correct Answer: A, B, D, E, F**

**Section:**

**QUESTION 12**

Up to what speed can Category 5 UTP cable transmit data?

- A. 10 Mb/s
- B. 100 Mb/s
- C. 1000 Mb/s
- D. 10000 Mb/s

**Correct Answer: C**

**Section:**

**QUESTION 13**

Up to what speed can Category 5e UTP cable transmit data?

- A. 10 Mb/s
- B. 100 Mb/s
- C. 1000 Mb/s
- D. 10000 Mb/s

**Correct Answer: C**

**Section:**

**QUESTION 14**

What is the maximum distance that the 40GBASE-LR4 Ethernet standard can span?

- A. 550 m



- B. 10 km
- C. 40 km
- D. 80 km

**Correct Answer: B**

**Section:**

**QUESTION 15**

Refer to the exhibit.



Which three options are features of the Cisco UCS 6248UP Fabric Interconnect front panel? (Choose three.)

- A. Console port
- B. FCoE port
- C. 10 Gb/s port
- D. Fan module
- E. USB port

**Correct Answer: A, D, E**

**Section:**



**QUESTION 16**

Which two statements about the Cisco Nexus 5596UP switch are true? (Choose two.)

- A. Its power supplies and fan trays are hot-swappable.
- B. It supports unified ports.
- C. It is offered in a one-rack-unit form factor.
- D. It has one expansion slot.
- E. It supports up to 96 10G BASE-T ports.

**Correct Answer: A, B**

**Section:**

**QUESTION 17**

Which two Cisco Nexus switches provide the foundation of the Cisco Application Centric Infrastructure? (Choose two.)

- A. Cisco Nexus 7718 switch
- B. Cisco Nexus 9508 switch
- C. Cisco Nexus 7710 switch
- D. Cisco Nexus 93128TX switch
- E. Cisco Nexus 6004 switch

**Correct Answer: B, D**

**Section:**

**QUESTION 18**

Which type of optics module is supported by a 6-port 40 GE Cisco Nexus 7000 M2 Series I/O module?

- A. CPAK
- B. QSFP+
- C. SFP/SFP+
- D. CFP

**Correct Answer: B**

**Section:**

**QUESTION 19**

How many 10GBASE-T port licenses are preinstalled on a Cisco Nexus 3064-32T?

- A. 16
- B. 32
- C. 48
- D. 64

**Correct Answer: B**

**Section:**

**QUESTION 20**

Refer to the exhibit.



What is the name of this Cisco Nexus 3000 Series Switch?

- A. Cisco Nexus 3132Q
- B. Cisco Nexus 3172PQ
- C. Cisco Nexus 3524
- D. Cisco Nexus 3016

**Correct Answer: A**

**Section:**

**QUESTION 21**

What is the maximum number of supervisor modules that the Cisco MDS 9710 Switch supports?

The logo for 'Vdumps' is displayed in a stylized font. The 'V' is orange and the 'dumps' is grey.

- A. 1
- B. 2
- C. 4
- D. 6
- E. 8

**Correct Answer: B**

**Section:**

**QUESTION 22**

Which device provides analysis of Fibre Channel traffic without any network disruption?

- A. Cisco MDS 9000 Data Analyzer Adapter
- B. Cisco MDS 9000 Port Analyzer Adapter
- C. Cisco MDS 9000 Channel Analyzer Device
- D. Cisco MDS 9000 Channel Analyzer Adapter

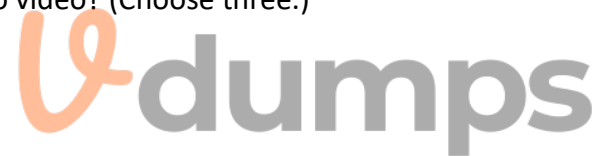
**Correct Answer: B**

**Section:**

**QUESTION 23**

Which three steps do you perform to troubleshoot when a rack server powers on with no video? (Choose three.)

- A. Check that the front I/O dongle is properly seated.
- B. Check the front I/O cable connection to the motherboard.
- C. Check for memory subsystem failure.
- D. Verify the power source to equipment.
- E. Reseat the DIMMs, CPU, and PCI cards.



**Correct Answer: A, B, C**

**Section:**

**QUESTION 24**

DRAG DROP

Drag the password recovery procedures on a Cisco NX-OS switch from the left to the right and place them in order.

**Select and Place:**



Log in to the switch using the new administrator password.	Step 1
Reset the network administrator password.	Step 2
Load the Cisco NX-OS system software image.	Step 3
Power-cycle the switch.	Step 4
Reset the new password to ensure that it is also the Simple Network Management Protocol (or SNMP) password.	Step 5
To enter the boot prompt mode, press the Ctrl-] key sequence from the console port session when the switch begins the Cisco NX-OS software boot sequence.	Step 6
Save the configuration.	Step 7
Display the bootflash: contents to locate the Cisco NX-OS software image.	Step 8

**Correct Answer:**

	Power-cycle the switch.
	To enter the boot prompt mode, press the Ctrl-] key sequence from the console port session when the switch begins the Cisco NX-OS software boot sequence.
	Reset the network administrator password.
	Display the bootflash: contents to locate the Cisco NX-OS software image.
	Load the Cisco NX-OS system software image.
	Log in to the switch using the new administrator password.
	Reset the new password to ensure that it is also the Simple Network Management Protocol (or SNMP) password.
	Save the configuration.

**Section:**

**Explanation:**

**QUESTION 25**

DRAG DROP

Drag the cable or connector on the left to the correct interface on the right.

**Select and Place:**

KVM dongle	Fabric Interconnect to Fabric Extender
straight-through Ethernet cable	console port
mini USB cable	MDS
Twinax cable	C-Series Rack Server
Fiber Channel SFP	from laptop to Management Port
rolled RJ-45 cable	
SAS cable	

Correct Answer:

	Twinax cable
	rolled RJ-45 cable
mini USB cable	Fiber Channel SFP
	KVM dongle
	straight-through Ethernet cable
SAS cable	

Section:

Explanation:

QUESTION 26

DRAG DROP

The screenshot displays the Cisco UCS Manager interface for 'Server 1'. At the top, a navigation bar shows four fault icons: a red 'X' (0), a yellow inverted triangle (0), a yellow triangle (0), and a green inverted triangle (4). The 'Fault Summary' section is highlighted with a red box, showing these same icons and counts. The 'Status' section indicates 'Overall Status: Unassociated'. The 'Properties' section lists various server details, including ID, Product Name, Vendor, Revision, Asset Tag, Name, User Label, Unique Identifier, Service Profile, and Locator LED status. A 'Summary' table provides hardware specifications.

Summary			
Number of Processors	:1	Cores Enabled	:4
Cores	:4	Threats	:8
Effective Memory (MB)	:49152	Total Memory (MB)	:49152
Operating Memory Speed	:N/A	Operating Memory Voltage	:N/A
Adapters	:1		
NICs	:0	HBA's	:0

Refer to the exhibit. Match the Fault Icons to the appropriate description.

Select and Place:





Problems exist with one or more components that might adversely affect system performance. These issues should be researched and fixed as soon as possible before they become major or critical issues.



Potential problems exist with one or more components that might adversely affect system performance if they are allowed to continue. These issues should be researched and fixed as soon as possible before the problem grows worse.



Critical problems exist with one or more components. These issues should be researched and fixed immediately.



Serious problems exist with one or more components. These issues should be researched and fixed immediately.

Correct Answer:



Problems exist with one or more components that might adversely affect system performance. These issues should be researched and fixed as soon as possible before they become major or critical issues.



Potential problems exist with one or more components that might adversely affect system performance if they are allowed to continue. These issues should be researched and fixed as soon as possible before the problem grows worse.



Critical problems exist with one or more components. These issues should be researched and fixed immediately.



Serious problems exist with one or more components. These issues should be researched and fixed immediately.



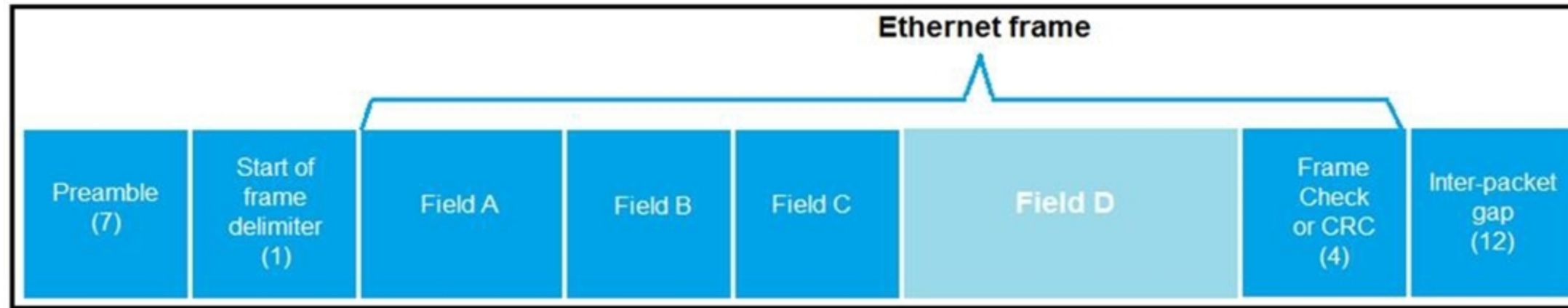
Section:

Explanation:

Reference: [https://www.cisco.com/en/US/docs/unified\\_computing/ucs/sw/gui/config/guide/141/UCSM\\_GUI\\_Configuration\\_Guide\\_141\\_chapter3.html](https://www.cisco.com/en/US/docs/unified_computing/ucs/sw/gui/config/guide/141/UCSM_GUI_Configuration_Guide_141_chapter3.html)

QUESTION 27

DRAG DROP



Refer to the diagram, match the following Ethernet frame fields.

Select and Place:

Field A	EtherType or 802/3 length
Field B	Source MAC address
Field C	Payload
Field D	Destination MAC address

Correct Answer:

	Field C
	Field B
	Field D
	Field A

Section:

Explanation:

Reference: <https://drolkin.wordpress.com/2016/12/03/2-2-interpret-ethernet-frame-format/>

QUESTION 28

Cisco UCS 5100 Blade Server Chassis supports which two devices? (Choose two.)

- A. Blade servers
- B. Fiber Extenders
- C. Rack-mount Servers
- D. S-Series Storage servers
- E. E-Series Servers

**Correct Answer: A, C**

**Section:**

**Explanation:**

Reference: [https://www.cisco.com/c/en/us/products/collateral/servers-unified-computing/ucs-5100-series-blade-server-chassis/data\\_sheet\\_c78-526830.html](https://www.cisco.com/c/en/us/products/collateral/servers-unified-computing/ucs-5100-series-blade-server-chassis/data_sheet_c78-526830.html)

#### QUESTION 29

What is the command to provide details pertaining to the state of the cluster?

- A. Show cluster
- B. Show cluster extended-state
- C. Show cluster state
- D. Show extended cluster state

**Correct Answer: B**

**Section:**

**Explanation:**

Reference: [https://www.cisco.com/c/en/us/td/docs/unified\\_computing/ucs/ts/guide/UCSTroubleshooting/UCSTroubleshooting\\_chapter\\_0100.html](https://www.cisco.com/c/en/us/td/docs/unified_computing/ucs/ts/guide/UCSTroubleshooting/UCSTroubleshooting_chapter_0100.html)

#### QUESTION 30

Which two specialized tools do you need to service a UCS product? (Choose two.)

- A. Laptop
- B. Anti-static Strap
- C. KVM Console to USB 2.0 Portable Laptop Crash Cart
- D. Cable Tester
- E. Needle-nose pliers

**Correct Answer: A, B**

**Section:**

#### QUESTION 31

Which group of UCS Virtual Interface Cards is exclusively designed for Cisco UCS C-Series Rack Server?

- A. VIC 1455, VIC 1480, VIC 1385, VIC 1340, VIC 1280
- B. VIC 1440, VIC 1340, VIC 1388, VIC 1280, M81KR VIC
- C. M81KR VIC, VIC 1497, VIC 1340, VIC 1387, VIC 1240
- D. VIC 1455, VIC 1497, VIC 1385, VIC 1387, VIC 1225

**Correct Answer: D**

**Section:**

**Explanation:**

Reference: <https://www.cisco.com/c/en/us/products/collateral/interfaces-modules/unified-computing-system-adapters/datasheet-c78-741130.html>

**QUESTION 32**

To confirm the installation of a B-Series Server, which GUI based management tool will be used?

- A. Windows 10
- B. UCSM (UCS Manager)
- C. Console Access
- D. CIMC (Cisco Integrated Management Controller)

**Correct Answer: B**

**Section:**

**Explanation:**

Reference: [https://www.cisco.com/c/en/us/td/docs/unified\\_computing/ucs/sw/firmware-mgmt/gui/2-2/b\\_GUI\\_Firmware\\_Management\\_22/b\\_GUI\\_Firmware\\_Management\\_22\\_chapter\\_0110.html](https://www.cisco.com/c/en/us/td/docs/unified_computing/ucs/sw/firmware-mgmt/gui/2-2/b_GUI_Firmware_Management_22/b_GUI_Firmware_Management_22_chapter_0110.html)

**QUESTION 33**

Which two cable types can support 10Gbps speed? (Choose two.)

- A. CAT7
- B. CAT5a
- C. CAT5e
- D. CAT6a
- E. CAT5

**Correct Answer: A, D**

**Section:**

**QUESTION 34**

Refer to the exhibit. Which item does C represent?



The screenshot shows the Cisco IMC interface for a UCS C240 M45 server. The navigation pane on the left includes icons for Chassis, Inventory, Sensors, Power Management, and Faults and Logs. The main content area displays system information and a server utilization chart.

Field	Value
Product Name	UCS C240 M45
Serial Number	FCH1923V3dX
PID	UCSC-C240-M4S
UUID	277705120-8843-4844-8296-0FF9CO1B850C
BIOS Version	C240M4.2.0.2a.0 102318C340
Description	
Asset Tag	Unknown
HostName	C240-FCM1923V3DK
IP Address	10.0.2.21
MAC Address	E5:65:49:74:CO:82
Firmware Version	4.0(2c)
Current Time (UTC)	Tue Apr 30.06:29:00 2019
Local Time	Tue Apr 30.06:29:00 2019 UTC +0000
Timezone	UTC

**Chassis Status:**  
 Power State: Off  
 Overall Server Status: Good  
 Temperature: Good  
 Overall DIMM Status: Good  
 Power Supplies: Good  
 Fans: Good  
 Locator LED: Off  
 Overall Storage Status: Good

**Server Utilization (%)**

Utilization Type	Percentage (%)
Overall Utilization	~38
CPU Utilization	~35
Memory Unknown	0
IO-Utilization	0

- A. Pin icon (prevents Navigation pane from sliding)
- B. Icon to view the Navigation pane
- C. Favorite Icon (make any specific work pane in the application as your favorite)
- D. Index Icon (view listing in alphabetical order)

**Correct Answer: C**

**Section:**

**Explanation:**

Reference: [https://www.cisco.com/c/en/us/td/docs/unified\\_computing/ucs/c/sw/gui/config/guide/4\\_1/b\\_Cisco\\_UCS\\_C-series\\_GUI\\_Configuration\\_Guide\\_41/b\\_Cisco\\_UCS\\_C-series\\_GUI\\_Configuration\\_Guide\\_41\\_chapter\\_01.html](https://www.cisco.com/c/en/us/td/docs/unified_computing/ucs/c/sw/gui/config/guide/4_1/b_Cisco_UCS_C-series_GUI_Configuration_Guide_41/b_Cisco_UCS_C-series_GUI_Configuration_Guide_41_chapter_01.html)

**QUESTION 35**

What is Platform as a Service?

- A. It configures, manages and develops networking environment for your application.
- B. It is when an application service is delivered over the network on a subscription basis.
- C. It is where servers and virtual machines (VMs), network and storage are delivered over the network on a pay-as-you-go basis.
- D. It is the software development framework and components delivered over the network on a pay-as-you-go basis.

**Correct Answer: D**

**Section:**

**QUESTION 36**

Which statement is true about cloud computing?



- A. It provides self-service, on-demand provisioning and a billing for corporate usage only.
- B. Users usually own and maintain their own IT infrastructure and facility.
- C. It provides end-to-end server, application network service, and storage virtualization.
- D. It increases total cost of ownership.

**Correct Answer: C**

**Section:**

**QUESTION 37**

In the Cisco UCS S3260 Storage Server which two of the below ports are available on a System I/O Controller? (Choose two.)

- A. Dedicated Management port
- B. PCIe ports
- C. KVM Console port
- D. QSFP port
- E. Ethernet LOM port

**Correct Answer: B, D**

**Section:**

**Explanation:**

Reference: <https://www.cisco.com/c/dam/en/us/products/collateral/servers-unified-computing/ucs-s-series-storage-servers/s3260-specsheet.pdf> page 3

**QUESTION 38**

Which two virtualization technologies are used in a modern data center design? (Choose two.)

- A. Storage virtualization
- B. Cloud virtualization
- C. Platform virtualization
- D. Server virtualization
- E. Application virtualization

**Correct Answer: C, D**

**Section:**

**QUESTION 39**

What is the name of the process to automatically upgrade a new Fabric Interconnect when it is connected to the functioning Fabric Interconnect?

- A. Firmware Policy Process
- B. Auto-Negotiate Process
- C. Auto-Sync Process
- D. Firmware Update Process

**Correct Answer: D**

**Section:**

**QUESTION 40**

Which tool is needed when servicing a UCS M5 server?



- A. PCIe slot cover
- B. T-30 Torx driver
- C. M5 DIMM puller
- D. HDD removal tool

**Correct Answer: B**

**Section:**

**Explanation:**

Reference: [https://www.cisco.com/c/en/us/td/docs/unified\\_computing/ucs/c/hw/C220M5/install/C220M5/C220M5\\_chapter\\_010.html](https://www.cisco.com/c/en/us/td/docs/unified_computing/ucs/c/hw/C220M5/install/C220M5/C220M5_chapter_010.html)

#### QUESTION 41

When replacing a standalone C-Series server which order will be used to shut down the server via CIMC?

- A. Click Power off, Click Shut off
- B. Click Power off, Click Shut down
- C. Click Host power, Click Shut off
- D. Click Host power, Click Shut down

**Correct Answer: B**

**Section:**

**Explanation:**

Reference: [https://www.cisco.com/c/en/us/td/docs/unified\\_computing/ucs/c/sw/gui/config/guide/1-0\\_1x/b\\_Cisco\\_UCS\\_CSeries\\_Servers\\_Integrated\\_Management\\_Controller\\_Configuration\\_Guide\\_1-0\\_1x/Cisco\\_UCS\\_C-Series\\_Servers\\_Integrated\\_Management\\_Controller\\_Configuration\\_Guide\\_1-0\\_1x\\_chapter3.html#task\\_99CD607A55D6405BBCD4BB72AC93B5E2](https://www.cisco.com/c/en/us/td/docs/unified_computing/ucs/c/sw/gui/config/guide/1-0_1x/b_Cisco_UCS_CSeries_Servers_Integrated_Management_Controller_Configuration_Guide_1-0_1x/Cisco_UCS_C-Series_Servers_Integrated_Management_Controller_Configuration_Guide_1-0_1x_chapter3.html#task_99CD607A55D6405BBCD4BB72AC93B5E2)

#### QUESTION 42

Which command syntax is correct to reset the admin password when the switch is in the kickstart prompt?

switch(boot) #"

- A. exec -> admin-password
- B. connect local-mgmt -> admin-password
- C. configure terminal -> admin-password
- D. connect nxos -> admin-password <password>
- E. admin-password

**Correct Answer: C**

**Section:**

#### QUESTION 43

Which statement about the Cisco Nexus 3408-S switch is true?

- A. It is offered in a three-rack-unit (3-RU) form factor.
- B. It supports 200G or 400G line card expansion modules.
- C. It has dual-redundant power supplies.
- D. It is 4-slot chassis with 400G line card expansion modules.

**Correct Answer: C**

**Section:**

**Explanation:**

Reference: <https://www.cisco.com/c/en/us/products/collateral/switches/nexus-3000-series-switches/datasheet-c78-741562.html>

**QUESTION 44**

What enables NVM Express host software to communicate with nonvolatile memory?

- A. SATA
- B. SAS
- C. PCIe
- D. SCSI

**Correct Answer: C**

**Section:**

**Explanation:**

Reference: [https://nvmexpress.org/wp-content/uploads/NVM-Express-1\\_4-2019.06.10-Ratified.pdf](https://nvmexpress.org/wp-content/uploads/NVM-Express-1_4-2019.06.10-Ratified.pdf) page 6

**QUESTION 45**

Which two transceivers can support 100 Gigabit Ethernet? (Choose two.)

- A. SFP+
- B. SFP28
- C. QSFP+
- D. QSFP28
- E. SFP-DD

**Correct Answer: C, D**

**Section:**

**QUESTION 46**

What are two common steps to troubleshooting a rack server with unrecognized or memory errors? (Choose two.)

- A. Ensure DIMMs are installed in correct slots
- B. Check CPU sockets for bent pins
- C. Check that the AC power cord is OK
- D. Reseat DIMMs
- E. Check the front I/O cable connection to the motherboard

**Correct Answer: A, D**

**Section:**

**Explanation:**

Reference: [https://www.cisco.com/c/en/us/td/docs/unified\\_computing/ucs/c/ts/guide/b\\_C-Series\\_Troubleshooting\\_Guide.pdf](https://www.cisco.com/c/en/us/td/docs/unified_computing/ucs/c/ts/guide/b_C-Series_Troubleshooting_Guide.pdf) page 11

**QUESTION 47**

Which Cisco UCS Virtual Interface Card Series is designed exclusively for the M5 generation?

- A. M81KR VIC



- B. VIC 1400 Series
- C. VIC 1300 Series
- D. VIC 1200 Series

**Correct Answer: B**

**Section:**

**Explanation:**

Reference: <https://www.cisco.com/c/dam/en/us/products/collateral/interfaces-modules/unified-computing-system-adapters/whitepaper-c11-741550.pdf>

**QUESTION 48**

When activating the firmware via UCSM which two firmware versions must be activated at the same time?

- A. UCS Manager and System
- B. UCS Manger and Kernel
- C. CIMC and Kernel
- D. System and Kernel

**Correct Answer: D**

**Section:**

**Explanation:**

Reference: [https://www.cisco.com/c/en/us/td/docs/unified\\_computing/ucs/ucs-manager/GUI-User-Guides/Firmware-Mgmt/3-1/b\\_UCSM\\_GUI\\_Firmware\\_Management\\_Guide\\_3\\_1/b\\_UCSM\\_GUI\\_Firmware\\_Management\\_Guide\\_3\\_1\\_chapter\\_011.html](https://www.cisco.com/c/en/us/td/docs/unified_computing/ucs/ucs-manager/GUI-User-Guides/Firmware-Mgmt/3-1/b_UCSM_GUI_Firmware_Management_Guide_3_1/b_UCSM_GUI_Firmware_Management_Guide_3_1_chapter_011.html)

**QUESTION 49**

In Cisco UCS C480 M5 server, which PCIe slot is the default slot for the rear RAID controller when the rear drive module is used with SAS/SATA drives?

- A. PCIe slot 09
- B. PCIe slot 10
- C. PCIe slot 11
- D. PCIe slot 12

**Correct Answer: C**

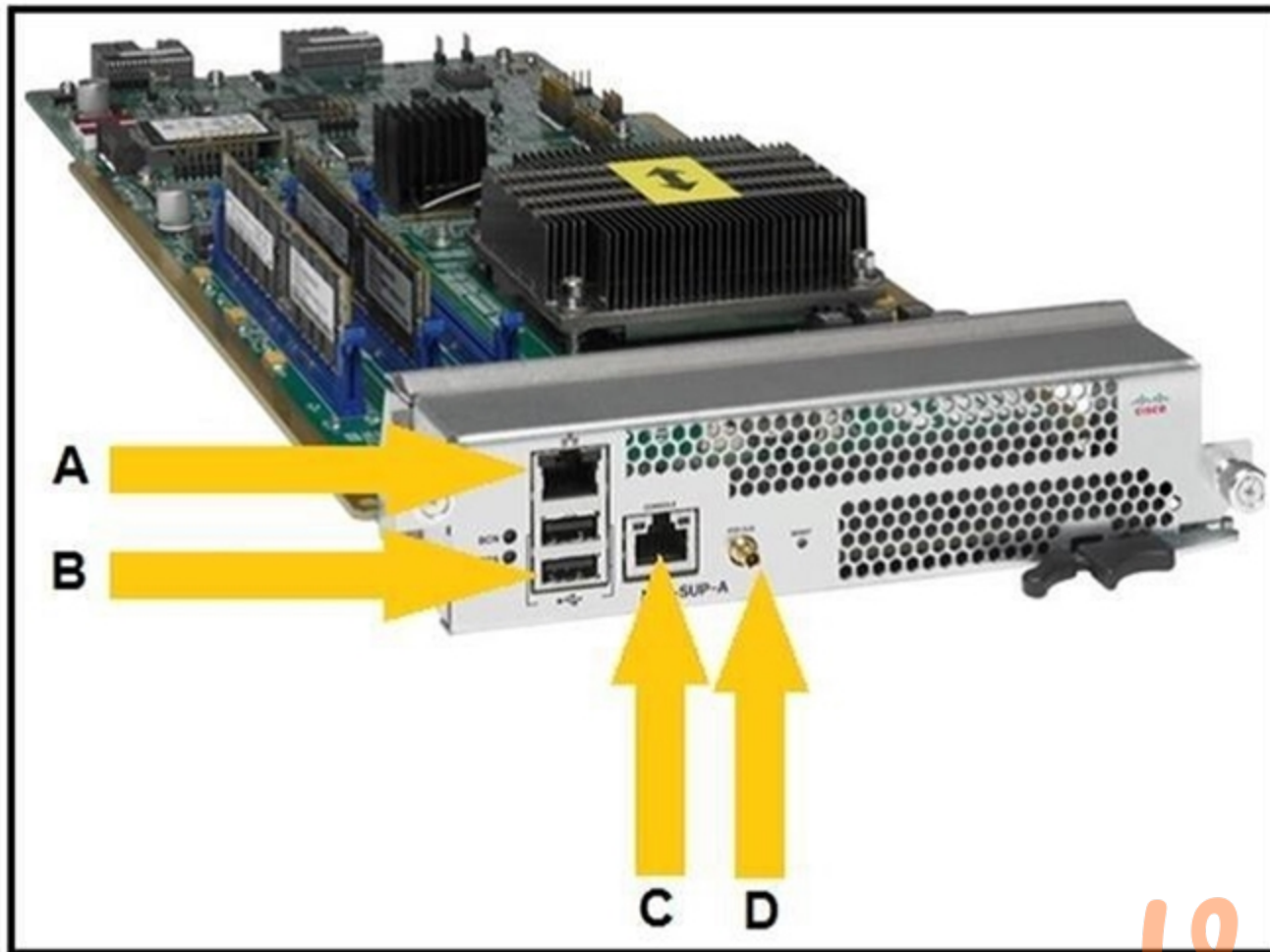
**Section:**

**Explanation:**

Reference: [https://www.cisco.com/c/en/us/td/docs/unified\\_computing/ucs/c/hw/C480M5/install/C480M5/C480M5\\_chapter\\_01.html](https://www.cisco.com/c/en/us/td/docs/unified_computing/ucs/c/hw/C480M5/install/C480M5/C480M5_chapter_01.html)

**QUESTION 50**

Refer to the exhibit. Which statement correctly identifies the hardware features on the Cisco Nexus 9500 Series supervisor A modules?



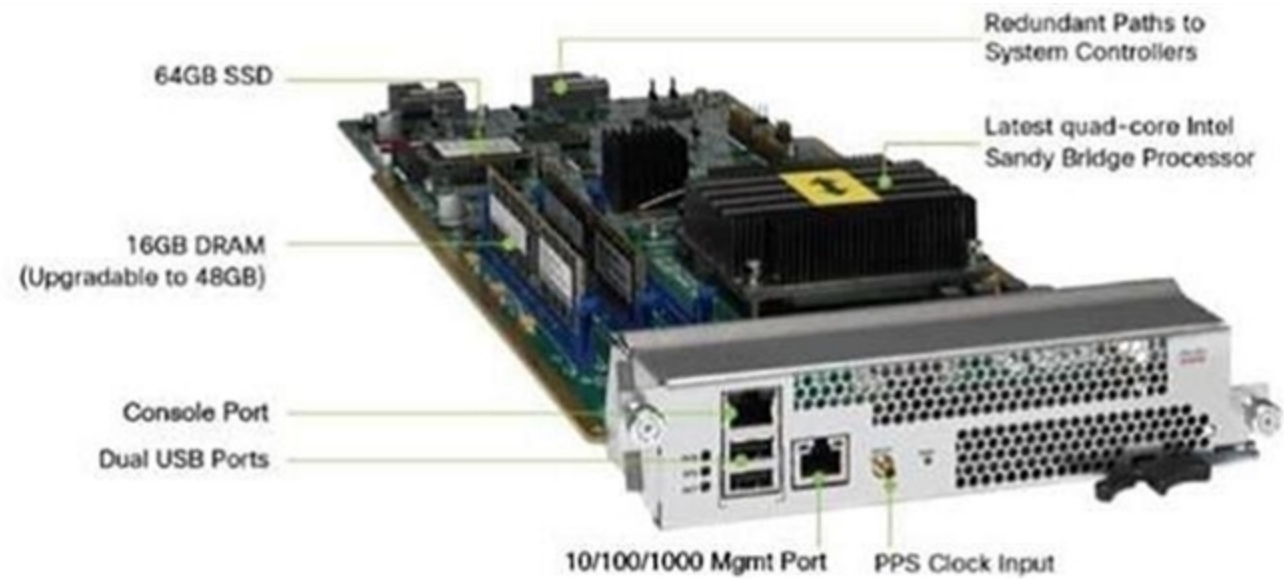
- A. A is 10/100/1000 Management port; B is USB port; C is Console port; D is external clock input
- B. A is Console port; B is USB port; C is 10/100/1000 Management port; D is external clock input
- C. A is Optical port; B is USB port; C is 10/100/1000 Management port; D is external clock input
- D. A is Console port; B is USB port; C is 10/100/1000 Management port; D is Diagnostic port

**Correct Answer: B**

**Section:**

**Explanation:**

Reference: <https://www.cisco.com/c/en/us/products/collateral/switches/nexus-9000-series-switches/white-paper-c11-729987.html>



**QUESTION 51**

Which two statements about the Ethernet media are true? (Choose two.)

- A. A twisted-pair cable system has each pair of wires twisted together to reduce electromagnetic interference.
- B. Compared to multimode fiber, the single-mode fiber is designed for shorter distances with higher cost.
- C. 40 Gigabit Ethernet twinax cables deploy Enhanced Quad Small Form Factor Pluggable (QSFP+) connectors.
- D. The twinax cables can be found in either a shielded twisted-pair or an unshielded twisted-pair variation.
- E. A passive twinax cable can carry an Ethernet signal over 5m.

**Correct Answer: A, C**

**Section:**

**QUESTION 52**

Which two commands allow you to view the state of high availability between the two clustered Fabric Interconnects? (Choose two.)

- A. show cluster state extended
- B. show cluster extended-state
- C. show cluster HA status
- D. show cluster state
- E. show cluster HA state

**Correct Answer: B, D**

**Section:**

**QUESTION 53**

Which statement about RAID is true?

- A. RAID is a scheme used to logically combine several independent disks to form an array or group of drives.
- B. RAID provides data redundancy with either odd parity or even parity.
- C. RAID drive group appears to the host computer as multiple physical storage units.
- D. RAID parity information can be stored across multiple RAID levels.

E. RAID stores data in the array with data striping, encryption, and parity to organize the data among the disks.

**Correct Answer: A**

**Section:**

**QUESTION 54**

Which type of optics module is supported by a Cisco Nexus 7700 F4-Series 30-Port 100-Gigabit Ethernet Module?

- A. QSFP28
- B. SFP+
- C. Cisco CPAK
- D. QSFP+

**Correct Answer: D**

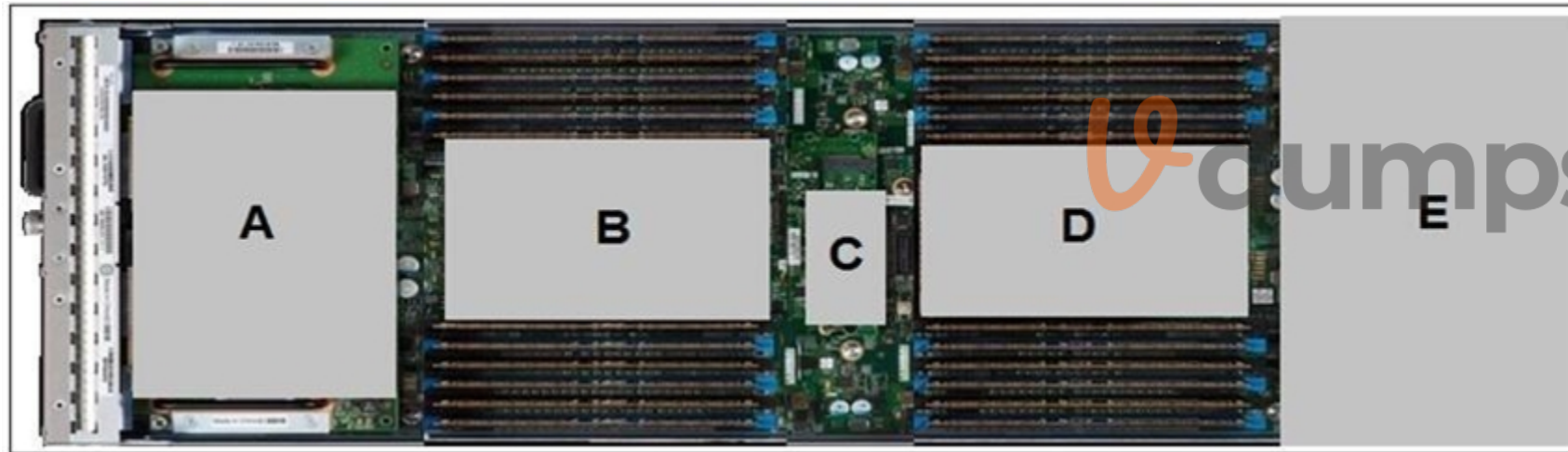
**Section:**

**Explanation:**

Reference: <https://www.cisco.com/c/en/us/products/collateral/switches/nexus-7000-series-switches/datasheet-c78-741486.html>

**QUESTION 55**

Refer to the exhibit. Which item does C represent?



- A. CMOS Battery
- B. Internal USB
- C. Mini Storage Connector
- D. mLOM Connector
- E. GPU

**Correct Answer: C**

**Section:**

**Explanation:**

Reference: <https://www.cisco.com/c/dam/en/us/products/collateral/servers-unified-computing/ucs-b-series-blade-servers/b200m5-specsheet.pdf>

**QUESTION 56**

Which two statements about PCIe are true? (Choose two.)



- A. The PCIe supports native hot-swap functionality.
- B. You can install a PCI Express x16 adapter into an x4 slot.
- C. The PCIe standard is a bus-based system in which all the devices share the same bidirectional, 32-bit or 64-bit, parallel signal path.
- D. The PCIe 4.0 standard doubles the transfer rate compared to PCIe 5.0.
- E. A link that is composed of four lanes is called an x4 link.

**Correct Answer: D, E**

**Section:**

#### QUESTION 57

Which command-line interface mode is best described by this prompt? Switch (config) #

- A. Local management mode
- B. EXEC mode
- C. Boot mode
- D. Global configuration command mode

**Correct Answer: D**

**Section:**

#### QUESTION 58

What are the two layers in the SAN hierarchy? (Choose two.)

- A. Protocol layer
- B. Fabric layer
- C. Connection layer
- D. Switch layer
- E. Storage layer

**Correct Answer: C, E**

**Section:**

#### QUESTION 59

Which two blade servers support GPUs? (Choose two.)

- A. UCS B260 M4
- B. UCS B200 M4
- C. UCS B420 M4
- D. UCS B480 M5
- E. UCS B200 M5

**Correct Answer: D, E**

**Section:**

**Explanation:**

Reference: <https://www.cisco.com/c/en/us/products/servers-unified-computing/ucs-b-series-blade-servers/index.html#~models>

#### QUESTION 60





Which two types of information does the show module NX-OS command display? (Choose two.)

- A. Module license information
- B. Module ports type
- C. Module IP address
- D. Module type
- E. Module status

**Correct Answer: D, E**

**Section:**

**Explanation:**

Reference: [https://www.cisco.com/en/US/docs/switches/datacenter/sw/4\\_2/nx-os/system\\_management/command/reference/sm\\_cmd\\_show.html](https://www.cisco.com/en/US/docs/switches/datacenter/sw/4_2/nx-os/system_management/command/reference/sm_cmd_show.html)

#### QUESTION 61

Which two provide connectivity to Fabric Extenders? (Choose two.)

- A. UCS 6300 series
- B. UCS B-Series Servers
- C. UCS 6400 series
- D. UCS S-Series Storage Servers
- E. UCS E-Series Servers

**Correct Answer: A, C**

**Section:**

#### QUESTION 62

Which two form factors are available in the Cisco UCS E-Series Servers? (Choose two.)

- A. EHWIC
- B. PVDM
- C. NIM
- D. VIC
- E. WIC

**Correct Answer: A, C**

**Section:**

**Explanation:**

Reference: [https://www.cisco.com/c/dam/global/de\\_de/products/servers-unified-computing/product-listing/pdf/data\\_sheet\\_c78-705787.pdf](https://www.cisco.com/c/dam/global/de_de/products/servers-unified-computing/product-listing/pdf/data_sheet_c78-705787.pdf)

#### QUESTION 63

Which statement is true about SFP?

- A. SFP modules convert the serial electrical signals to serial analog signals and vice versa.
- B. The small form-factor pluggable (SFP) is a compact, hot-pluggable copper module transceiver.
- C. SFP modules offer a simple and effective way to connect a single network device to a wide variety of fiber cable types.
- D. SFP modules can be classified based on the working voltage and size.



**Correct Answer: C**

**Section:**

**Explanation:**

Reference: <http://www.carritech.com/news/sfps-used-telecommunication-systems/>

**QUESTION 64**

Which two statements about Cisco UCS 6454 Fabric Interconnect are true? (Choose two.)

- A. 1-RU 10/25/40/100/200/400 Gigabit Ethernet, FCoE, and Fibre Channel switch offers up to 32 ports.
- B. It hosts and runs Cisco Integrated Management Controller (CIMC).
- C. All Ethernet ports can support FCoE.
- D. Provides the management and communication backbone for the Cisco UCS 5108 Server Chassis and Cisco UCS B-Series Blade Servers only.
- E. Provides both the LAN and SAN connectivity for all servers within its domain.

**Correct Answer: C, E**

**Section:**

**Explanation:**

Reference: <https://www.cdw.com/product/cisco-ucs-6454-fabric-interconnect-switch-54-ports-managed-rack-mou/5400879>

**QUESTION 65**

Refer to the exhibit. What is the name of this Cisco MDS 9700 Series network module?



The logo for Vdumps.com, featuring a stylized orange 'V' followed by the word 'dumps' in a grey, lowercase, sans-serif font.

- A. Cisco MDS 9700 48-port 16-Gbps switching module
- B. Cisco MDS 9700 48-port 32-Gbps Fibre Channel switching module
- C. Cisco MDS 48-Port 10-Gbps Fibre Channel over Ethernet module
- D. Cisco MDS 24-/10-port SAN Extension module

**Correct Answer: D**

**Section:**

**Explanation:**

Reference: [https://www.cisco.com/c/en/us/td/docs/switches/datacenter/mds9000/hw/9700/mds\\_9700\\_hig.pdf](https://www.cisco.com/c/en/us/td/docs/switches/datacenter/mds9000/hw/9700/mds_9700_hig.pdf) page 47

**QUESTION 66**

Which two statements about Cisco UCS S3260 Storage Server are true? (Choose two.)

- A. AMD EPYC 7000 series processors, with up to 32 cores per socket
- B. Up to 1 TB of Intel Optane DC Persistent Memory
- C. It is in a compact 2-RU form factor.

- D. Support for the Cisco 12-G 9460-8i PCIe SAS RAID controller
- E. Massive 840-TB data storage capacity

**Correct Answer: D, E**

**Section:**

**Explanation:**

Reference: <https://www.cisco.com/c/dam/en/us/products/collateral/servers-unified-computing/ucs-s-series-storage-servers/s3260-specsheet.pdf>

#### QUESTION 67

A company wants to build a data center infrastructure which can provide up to 99.982% uptime availability per year. Which ANSI/TIA-942 data center tier meets the requirement?

- A. Redundant-distribution site infrastructure
- B. Redundant-capacity component site infrastructure
- C. Concurrently maintainable site infrastructure
- D. Basic site infrastructure

**Correct Answer: C**

**Section:**

**Explanation:**

Reference: <https://www.doc.ic.ac.uk/~jgiceva/teaching/ssc18-cloud.pdf> page 16

#### QUESTION 68

Which two statements are true for the Ethernet 802.3 standard? (Choose two.)

- A. An 802.3 Ethernet frame is 68 to 1518 bytes in length.
- B. CSMA/CD eliminates collisions for the switched LAN where multiple collision domains reside.
- C. It defines physical layer and data link layer protocols.
- D. The IEEE 802.3ab standard defines 10 Gigabit Ethernet over unshielded twisted-pair (UTP).
- E. Network layer protocol is carried in the payload field.



**Correct Answer: B, C**

**Section:**

#### QUESTION 69

Which RAID level fault tolerance allows two disk failures?

- A. RAID 1
- B. RAID 4
- C. RAID 5
- D. RAID 6

**Correct Answer: D**

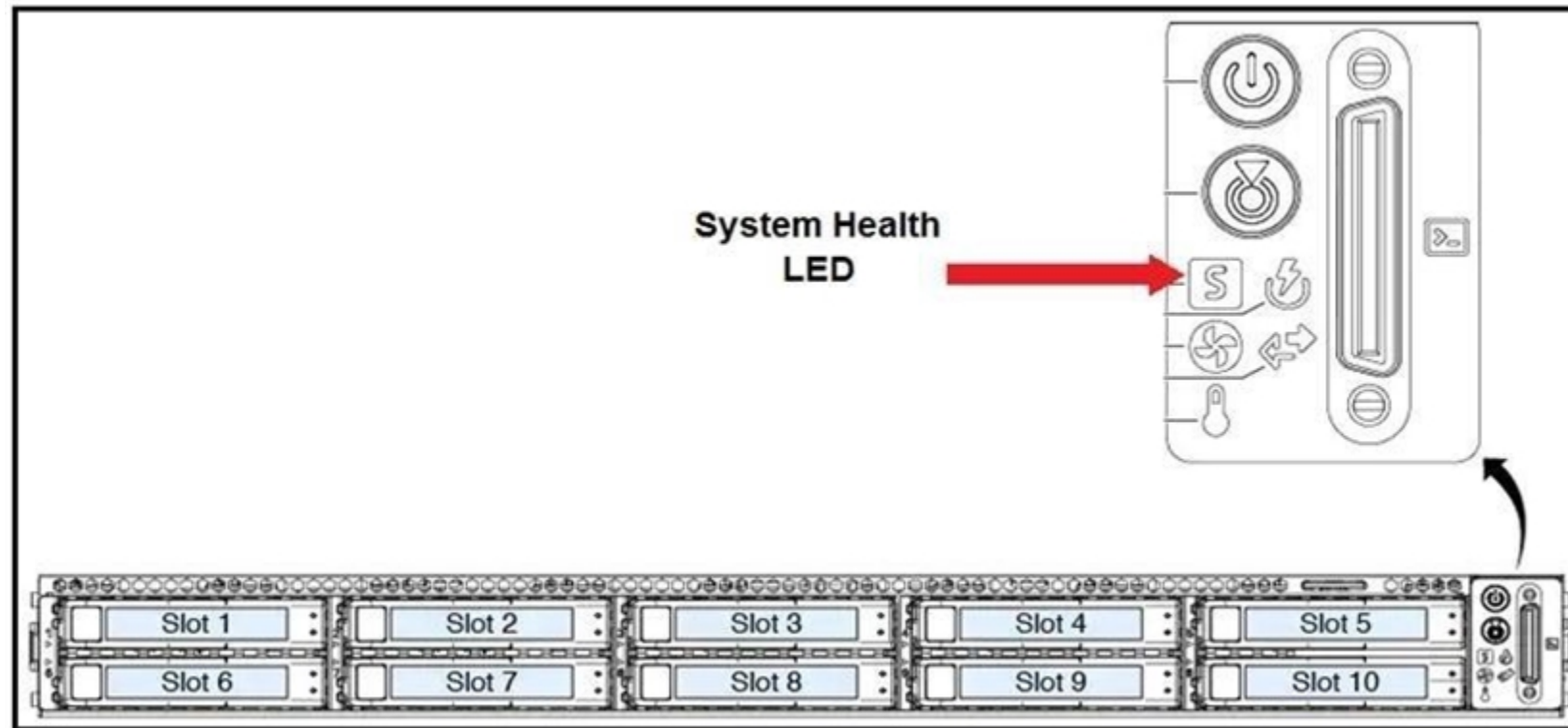
**Section:**

**Explanation:**

Reference: <https://www.promax.com/blog/how-many-drives-can-fail-in-a-raid-configuration>

#### QUESTION 70

Refer to the exhibit. Which two faults can occur if the System Health LED is in a steady amber state? (Choose two.)



- A. At least one DIMM is faulty.
- B. Major fault with CPU
- C. Major fault with the system board
- D. CPU mismatch
- E. Major fault with memory DIMM



**Correct Answer: B, E**

**Section:**

#### QUESTION 71

Which two statements are true about the Cisco UCS C4200 Rack server and UCS C125 M5 compute node? (Choose two.)

- A. 8 NVIDIA SXM2 V100 32G modules with NVLink interconnect
- B. AMD EPYC 7000 series processors, with up to 32 cores per socket
- C. 2666-MHz DDR4 memory and 24 DIMM slots for up to 3 TB of total memory
- D. Optional dual USB ports for increased storage or boot drive capacity
- E. Over 45 TB of storage, with up to six small-form-factor 2.5-inch direct-attached drives per node

**Correct Answer: D, E**

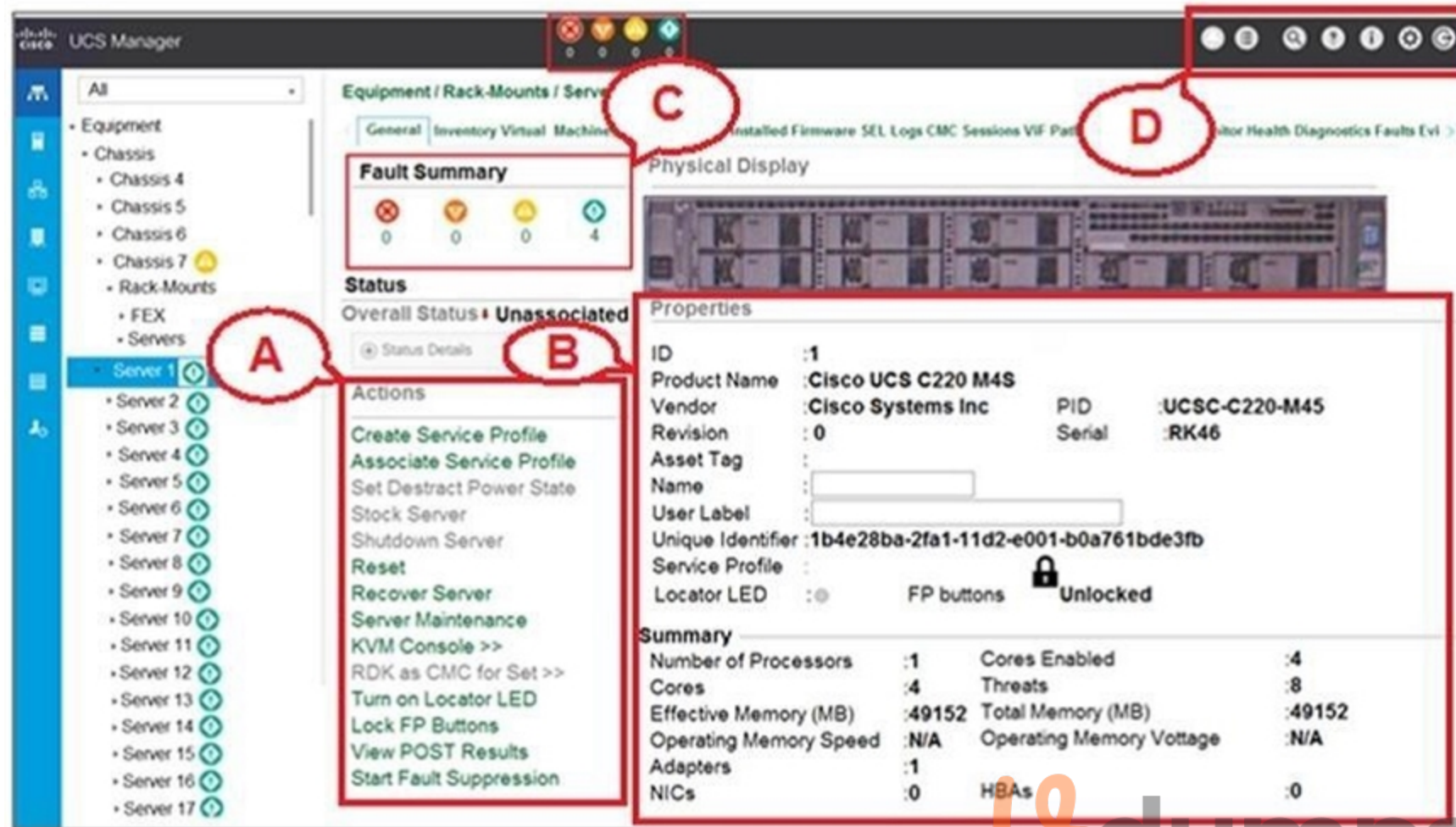
**Section:**

**Explanation:**

Reference: <https://www.cisco.com/c/en/us/products/collateral/servers-unified-computing/ucs-c4200-series-rack-server-chassis/datasheet-c78-740839.html>

#### QUESTION 72

Refer to the exhibit. Which item list all available functions that can be perform to the server?

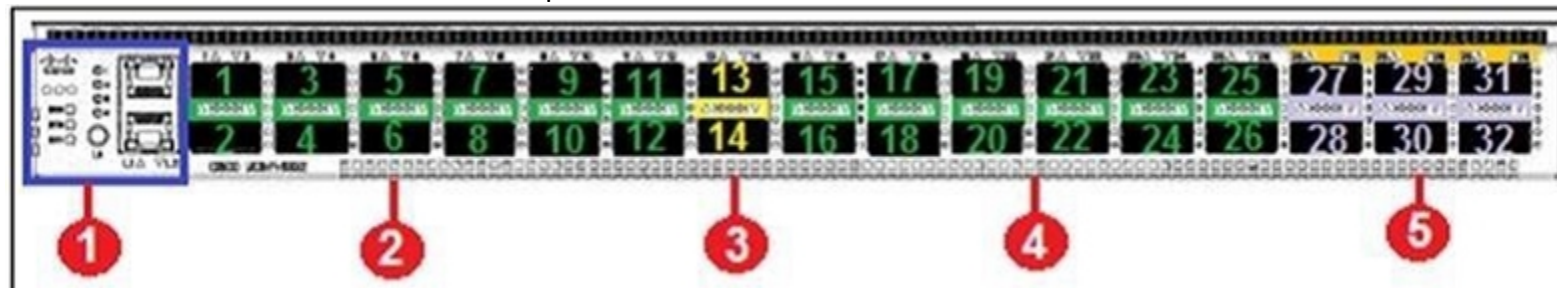


- A. A
- B. B
- C. C
- D. D

Correct Answer: A  
Section:

**QUESTION 73**

Refer to the exhibit. Which item does 3 represent?



- A. Operate as 40-Gbps QSFP+ ports or as 4 × 10-Gbps SFP+ breakout ports
- B. Operate as 40-Gbps QSFP+ ports, and support QSA adapters to provide 1-Gbps to 10-Gbps operation
- C. Operate as port lane switch button, port lane LEDs, and Layer 1 and Layer 2 ports.



D. Operate as dedicated 40-Gbps, QSFP+ uplink ports.

**Correct Answer: D**

**Section:**

**Explanation:**

Reference: [https://www.cisco.com/c/en/us/td/docs/unified\\_computing/ucs/hw/6300-install-guide/6300\\_Series\\_HIG/6300\\_Series\\_HIG\\_chapter\\_01.html](https://www.cisco.com/c/en/us/td/docs/unified_computing/ucs/hw/6300-install-guide/6300_Series_HIG/6300_Series_HIG_chapter_01.html)

**QUESTION 74**

Which two statements about FCoE are true? (Choose two.)

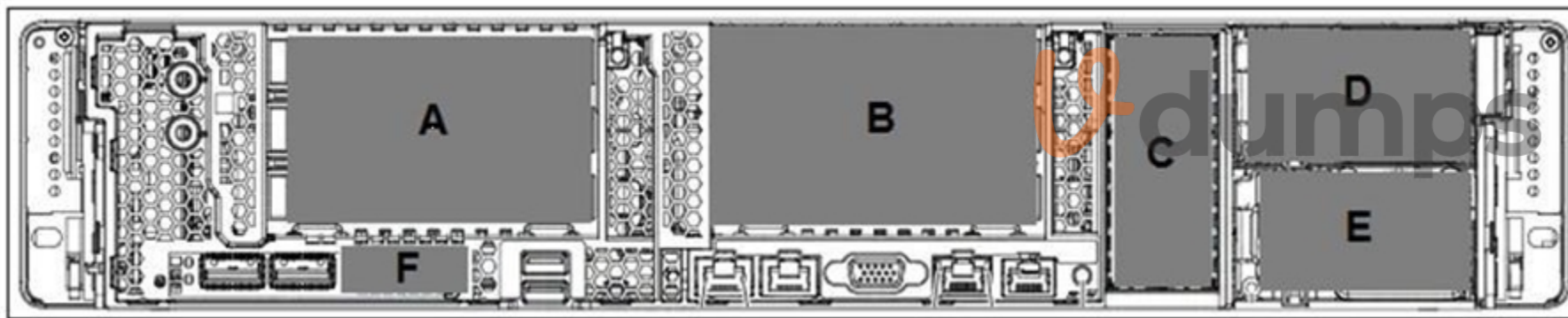
- A. Allows Fibre Channel and Ethernet networks to share a single, integrated infrastructure.
- B. Encapsulates Ethernet frames into Fibre Channel frames, which allows them to run alongside traditional IP traffic.
- C. Increases capital costs due to the difficulty to manage.
- D. Consolidates I/O traffic in the data center.
- E. It allows Ethernet traffic to run over a Fibre Channel infrastructure.

**Correct Answer: A, D**

**Section:**

**QUESTION 75**

Refer to the exhibit. Which item does B represent?



- A. mLOM
- B. Rear 2.5-inch drive bays
- C. PCIe Riser 1
- D. PCIe Riser 2
- E. Power Supply

**Correct Answer: D**

**Section:**

**QUESTION 76**

Refer to the exhibit. Which item does D represent?

**Cisco Integrated Management Controller (Cisco IMC) Information**

Product Name: UCS C240 M45  
 Serial Number: FCH1923V3dX  
 PID: UCSC-C240-M4S  
 UUID: 277705120-8843-4844-8296-0FF9C01B850C  
 BIOS Version: C240M4.2.0.2a.0 102318C340  
 Description:   
 Asset Tag:

HostName: C240-FCM1923V3DK  
 IP Address: 10.0.2.21  
 MAC Address: E5:65:49:74:CO:82  
 Firmware Version: 4.0(2c)  
 Current Time (UTC): Tue Apr 30.06:29:00 2019  
 Local Time: Tue Apr 30.06:29:00 2019 UTC +0000  
 Timezone: UTC

**Chassis Status**

Power State: ● Off  
 Overall Server Status: ✔ Good  
 Temperature: ✔ Good  
 Overall DIMM Status: ✔ Good  
 Power Supplies: ✔ Good  
 Fans: ✔ Good  
 Locator LED: ● Off  
 Overall Storage Status: ✔ Good

**Server Utilization (%)**

Category	Utilization (%)
Overall Utilization	~38
CPU Utilization	~38
Memory Unknown	0
IO-Utilization	0

- A. Pin icon (prevents Navigation pane from sliding)
- B. Favorite icon (make any specific work pane in the application as your favorite)
- C. To view the Navigation pane
- D. Index Icon (view listing in alphabetical order)



**Correct Answer: A**

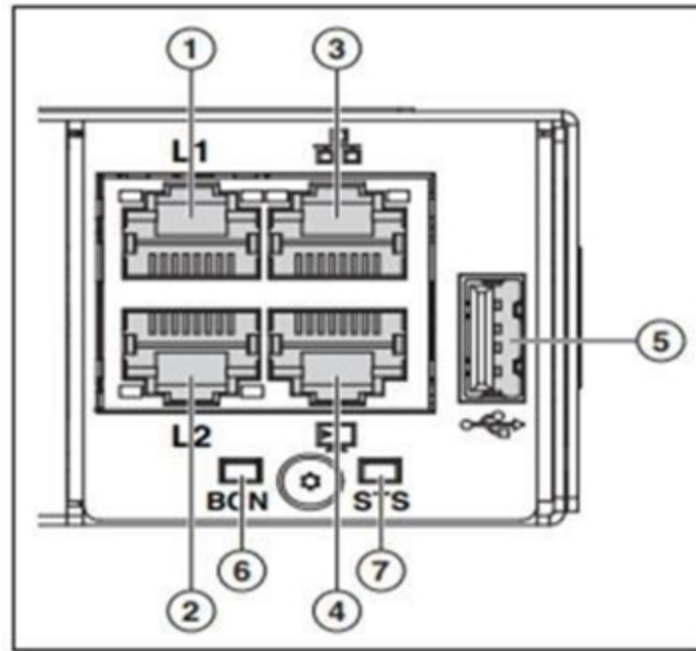
**Section:**

**Explanation:**

Reference: [https://www.cisco.com/c/en/us/td/docs/unified\\_computing/ucs/c/sw/gui/config/guide/4\\_1/b\\_Cisco\\_UCS\\_C-series\\_GUI\\_Configuration\\_Guide\\_41/b\\_Cisco\\_UCS\\_C-series\\_GUI\\_Configuration\\_Guide\\_41\\_chapter\\_01.html](https://www.cisco.com/c/en/us/td/docs/unified_computing/ucs/c/sw/gui/config/guide/4_1/b_Cisco_UCS_C-series_GUI_Configuration_Guide_41/b_Cisco_UCS_C-series_GUI_Configuration_Guide_41_chapter_01.html)

**QUESTION 77**

Refer to the exhibit. What does it mean when item 7 (System Status LED) has a blinking red status?



- A. Major fault with the system board
- B. Power shut down by software
- C. Secure boot validation has failed
- D. Power on Self-Test (POST) failed
- E. Major fault with memory DIMM

**Correct Answer: D**

**Section:**

**Explanation:**

Reference: [https://www.cisco.com/c/en/us/td/docs/unified\\_computing/ucs/hw/6300-install-guide/6300\\_Series\\_HIG/6300\\_Series\\_HIG\\_chapter\\_01.html](https://www.cisco.com/c/en/us/td/docs/unified_computing/ucs/hw/6300-install-guide/6300_Series_HIG/6300_Series_HIG_chapter_01.html)

**QUESTION 78**

Which SAN protocol uses Ethernet network without IP encapsulation?

- A. iFCP
- B. FCP
- C. iSCSI
- D. FCoE
- E. FC

**Correct Answer: D**

**Section:**

**QUESTION 79**

During the auto-sync firmware upgrade process, what should be your initial input entered once the Fabric Interconnect boots up?

- A. console
- B. gui
- C. upgrade firmware





D. auto-sync

**Correct Answer: A**

**Section:**

**QUESTION 80**

Storage virtualization is commonly used for SANs in data centers to scale out the storage resources. The common methods of storage virtualization include arraybased storage virtualization. What are the other two methods? (Choose two.)

- A. Host-based storage virtualization
- B. Hypervisor-based storage virtualization
- C. Embedded-based storage virtualization
- D. Switch-based storage virtualization
- E. Network-based storage virtualization

**Correct Answer: A, E**

**Section:**

**Explanation:**

Reference: <https://www.cioreview.com/news/implementing-storage-virtualization-for-efficient-data-management-nid-18073-cid-86.html>

**QUESTION 81**

Which Cisco MDS 9700 Series platform supports the Supervisor-1E module?

- A. Cisco MDS 9706
- B. Cisco MDS 9709
- C. Cisco MDS 9710
- D. Cisco MDS 9718



**Correct Answer: D**

**Section:**

**Explanation:**

Reference: <https://www.cisco.com/c/en/us/products/collateral/storage-networking/mds-9700-series-multilayer-directors/datasheet-c78-736317.html>

**QUESTION 82**

Which two statements are true about system controllers of Cisco Nexus 9500 Series? (Choose two.)

- A. They provide centralized arbitration to the system fabric for all line cards.
- B. They control the Layer 2 and Layer 3 services.
- C. The Cisco Nexus 9500 Series switch software, Enhanced NX-OS, runs on the system controllers.
- D. They are used to offload the internal non-data-path switching and management functions from the supervisor engines.
- E. The Cisco Nexus 9500 Series supports redundant system controllers.

**Correct Answer: D, E**

**Section:**

**Explanation:**

Reference: <https://www.cisco.com/c/en/us/products/collateral/switches/nexus-9000-series-switches/white-paper-c11-729987.html>

**QUESTION 83**

What do the small form-factor, x86 64-bit blade servers reside in Cisco branch-office router?

- A. Cisco UCS E-Series Servers
- B. Cisco UCS S-Series Storage Servers
- C. Cisco UCS Blade Servers
- D. Cisco UCS C-Series Rack-Mount Servers

**Correct Answer: A**

**Section:**

**Explanation:**

Reference: <https://www.cisco.com/c/en/us/products/collateral/servers-unified-computing/ucs-e-series-servers/datasheet-c78-737706.pdf> page 3

**QUESTION 84**

Which transceiver can support 400 Gigabit Ethernet?

- A. QSFP-DD
- B. QSFP+
- C. QSFP28
- D. SFP-DD

**Correct Answer: A**

**Section:**

**Explanation:**

Reference: <https://www.cisco.com/c/en/us/products/collateral/interfaces-modules/transceiver-modules/datasheet-c78-743172.html>

**QUESTION 85**

How many wires does each PCIe lane have?

- A. Two
- B. Four
- C. Eight
- D. Sixteen

**Correct Answer: B**

**Section:**

**Explanation:**

Reference: <https://cotscomputers.com/blog/pcie-lanes/#:~:text=Each%20lane%20consists%20of%20two,x4%2C%20x8%2C%20or%20x16>

**QUESTION 86**

Which statement is true about QSFP?

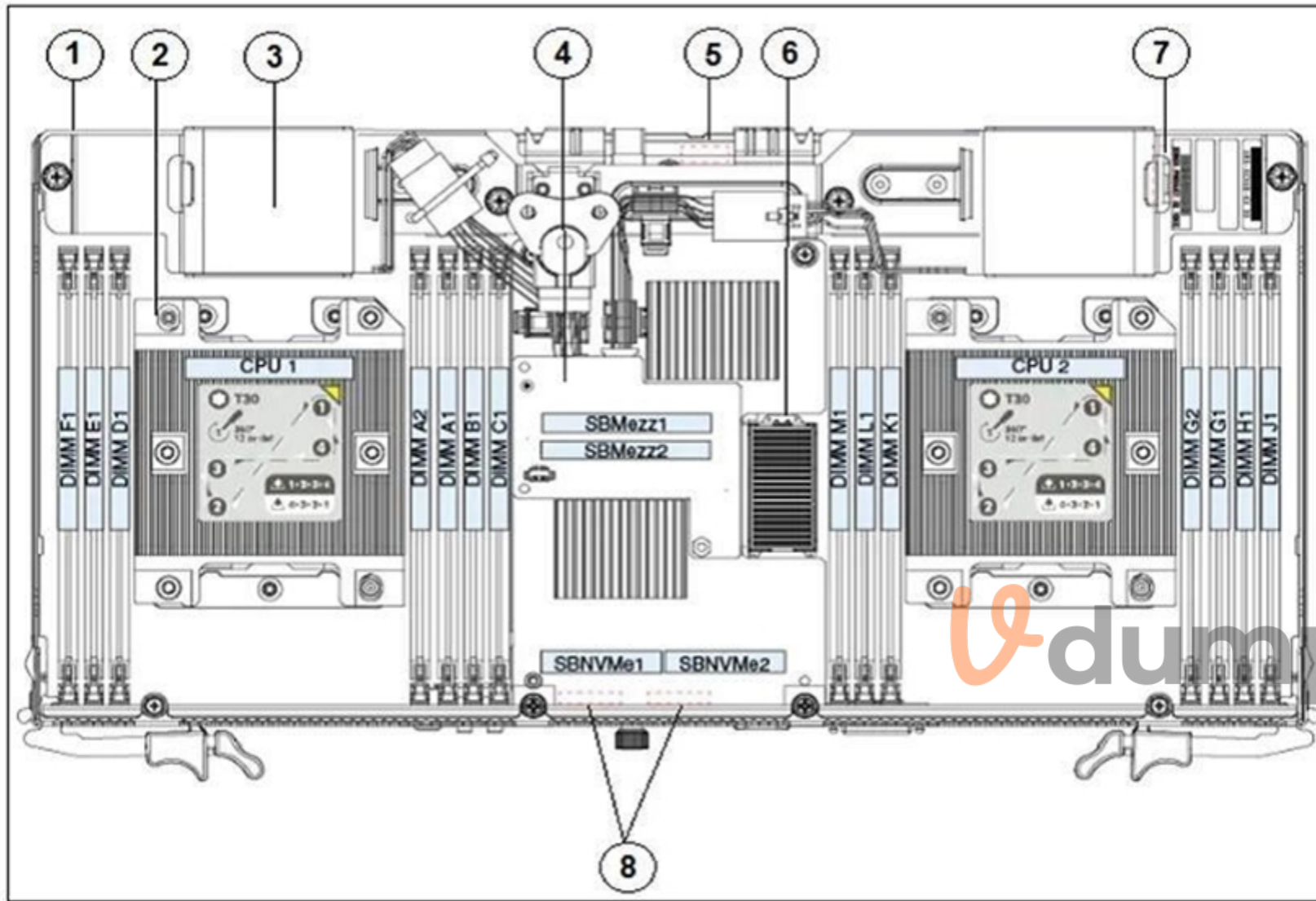
- A. The four 10 Gbit/sec channels that QSFP+ supports can be combined into a single 40 Gigabit Ethernet link.
- B. QSFP-DD stands for Quad Small Form Factor Pluggable Double Distance.
- C. The QSFP+ offers higher data speed than QSFP28.
- D. 100GBASE-SR4 supports a much longer distance than 100GBASE-LR4.

Correct Answer: A

Section:

QUESTION 87

Refer to the exhibit. What item does 6 represent?



- A. Trusted platform module (TPM) socket
- B. RAID supercap connector
- C. RTC battery CR2032 socket
- D. Mezzanine-style connector for optional I/O expander module

Correct Answer: D

Section:

Explanation:

Reference: [https://www.cisco.com/c/en/us/td/docs/unified\\_computing/ucs/s/hw/S3260M5/install/S3260M5/S3260M5\\_chapter\\_00.html](https://www.cisco.com/c/en/us/td/docs/unified_computing/ucs/s/hw/S3260M5/install/S3260M5/S3260M5_chapter_00.html)

QUESTION 88

Which statement is true about cloud deployment models?

- A. A public cloud is typically infrastructure used by a single organization.

- B. Public clouds are more expensive than private clouds.
- C. Hybrid cloud supports multiple organizations sharing computing resources that are part of a community.
- D. Public clouds are less secure than private clouds.

**Correct Answer: C**

**Section:**

