

HP.HPE0-V14.by.Enrian.174q

Number: HPE0-V14
Passing Score: 800
Time Limit: 120
File Version: 4.0

Exam Code: HPE0-V14
Exam Name: Building HPE Hybrid IT Solutions



Exam A

QUESTION 1

You are reviewing a series of MSA2052 storage designs for a customer's remote locations. Their largest remote site requires the highest possible level of internal data protection with at least 20 TB of storage. Which disk drive design is adequate for this site?

- A. 14 HPE MSA 2 TB drives, configured with RAID1
- B. 8 HPE MSA 2 TB drives, configured with RAID5
- C. 10 HPE MSA 2 TB drives, configured with RAID0
- D. 12 HPE MSA 2 TB drives, configured with RAID6

Correct Answer: D

Section:

Explanation:

Reference: <https://h20195.www2.hpe.com/V2/getpdf.aspx/a00008277enw.pdf>

QUESTION 2

What is the correct cable type to use when connecting a server to a switch using 10 Gbps Short Range (SR) SFP+ optical connections?

- A. Direct Attach Cable (DAC)
- B. Twin-Ax
- C. Single Mode Fiber
- D. Multi-mode Fiber



Correct Answer: C

Section:

Explanation:

Reference: <https://support.hpe.com/hpesc/public/docDisplay?docId=c02705558>

QUESTION 3

You are troubleshooting an HPE ProLiant rack-mount server. You need to collect event data from the server, even when it is not operational. Which tool should you use?

- A. Insight Online
- B. InfoSight
- C. OS Event Viewer
- D. Integrated Management Log

Correct Answer: A

Section:

QUESTION 4

DRAG DROP

Match the characteristic to the correct HPE ProLiant family.

Select and Place:

Answer Area

	<input type="checkbox"/>	maximum 2 processors
DL	<input checked="" type="checkbox"/>	maximum 4 processors
ML	<input type="checkbox"/>	rack optimized
	<input type="checkbox"/>	tower or rack

Correct Answer:

Answer Area

	DL	maximum 2 processors
DL	ML	maximum 4 processors
ML	DL	rack optimized
	ML	tower or rack



Section:

Explanation:

Reference: <https://www.hpe.com/uk/en/product-catalog/servers/proliant-servers/pip.specifications.hpe-proliant-dl380-gen10-server.1010026818.html>

QUESTION 5

DRAG DROP

Match the speed and protocol with the appropriate component.

Select and Place:

Component	Speed and Protocol
SFP+	<input type="text"/> 10GbE
QSFP28	<input type="text"/> 12Gb SAS
Mini-SAS HD 4x	<input type="text"/> 100GbE

Correct Answer:

Component	Speed and Protocol
SFP+	10GbE
Mini-SAS HD 4x	12Gb SAS
QSFP28	100GbE

Section:

Explanation:

Reference:

<https://buy.hpe.com/us/en/options/transceivers/server-transceivers/hpe-sfp-transceivers/p/7263510>

https://itg.buy.hpe.com/emea_europe/en/options/transceivers/server-transceivers/server-transceivers/hpe-qsfp28-transceivers/p/1008789459

QUESTION 6

DRAG DROP

Match each HPE solution to its optimal use case.

Select and Place:

Answer Area

HPE Solution

Use Case

HPE Proliant Microserver	<input type="checkbox"/>	General Purpose Computing, Virtualization Clusters, Enterprise Applications
HPE Proliant ML/DL	<input checked="" type="checkbox"/>	NAS Storage, File Sync and Share for Remote/Mobile users
HPE StoreEasy	<input type="checkbox"/>	Remote Office, Low Cost, Quiet Operation, Office environment
HPE StoreOnce	<input type="checkbox"/>	Space-efficient Backups, Backup Replication, Cloud-based Archiving



Correct Answer:

Use Case

HPE Proliant ML/DL	General Purpose Computing, Virtualization Clusters, Enterprise Applications
HPE StoreEasy	NAS Storage, File Sync and Share for Remote/Mobile users
HPE Proliant Microserver	Remote Office, Low Cost, Quiet Operation, Office environment
HPE StoreOnce	Space-efficient Backups, Backup Replication, Cloud-based Archiving

Section:

Explanation:

QUESTION 7

DRAG DROP

A customer needs a new environment to support an ERP system. The sizing information you received shows the following requirements:

3 servers with: quad processors, 256 GB RAM, and 10Gb dual-port NICs

10 TB of high performance shared storage

cloud-based performance monitoring and analytics

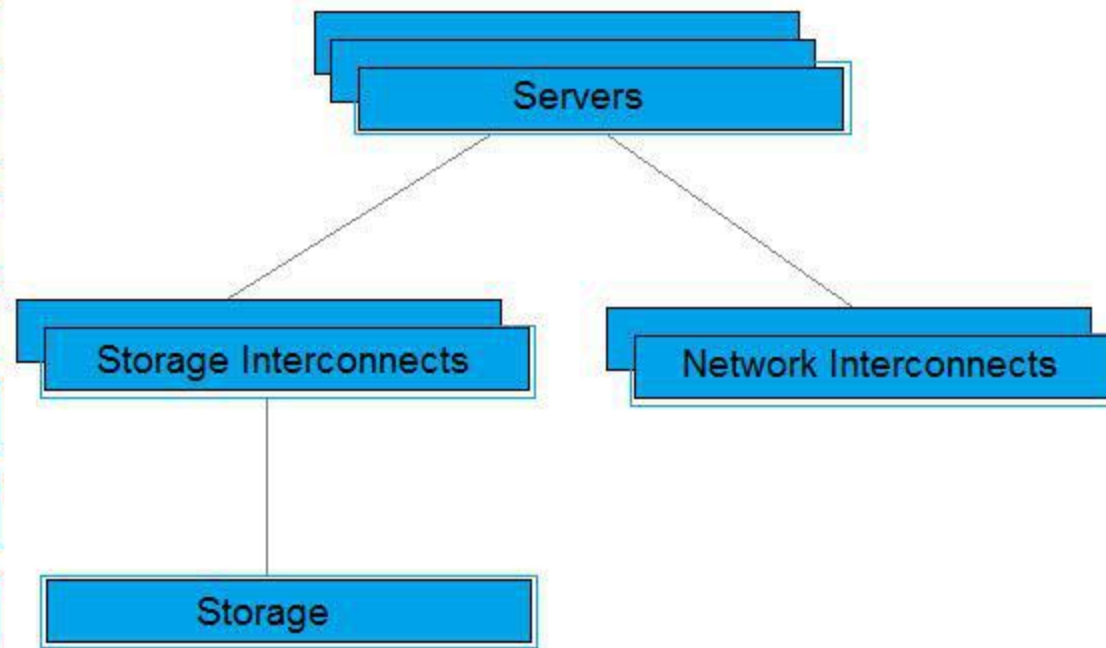
The customer prefers rack mounted equipment.

Identify the components that will meet the customer requirements, then drag the correct components on the left to their appropriate location in the environment on the right.

Select and Place:

Answer Area

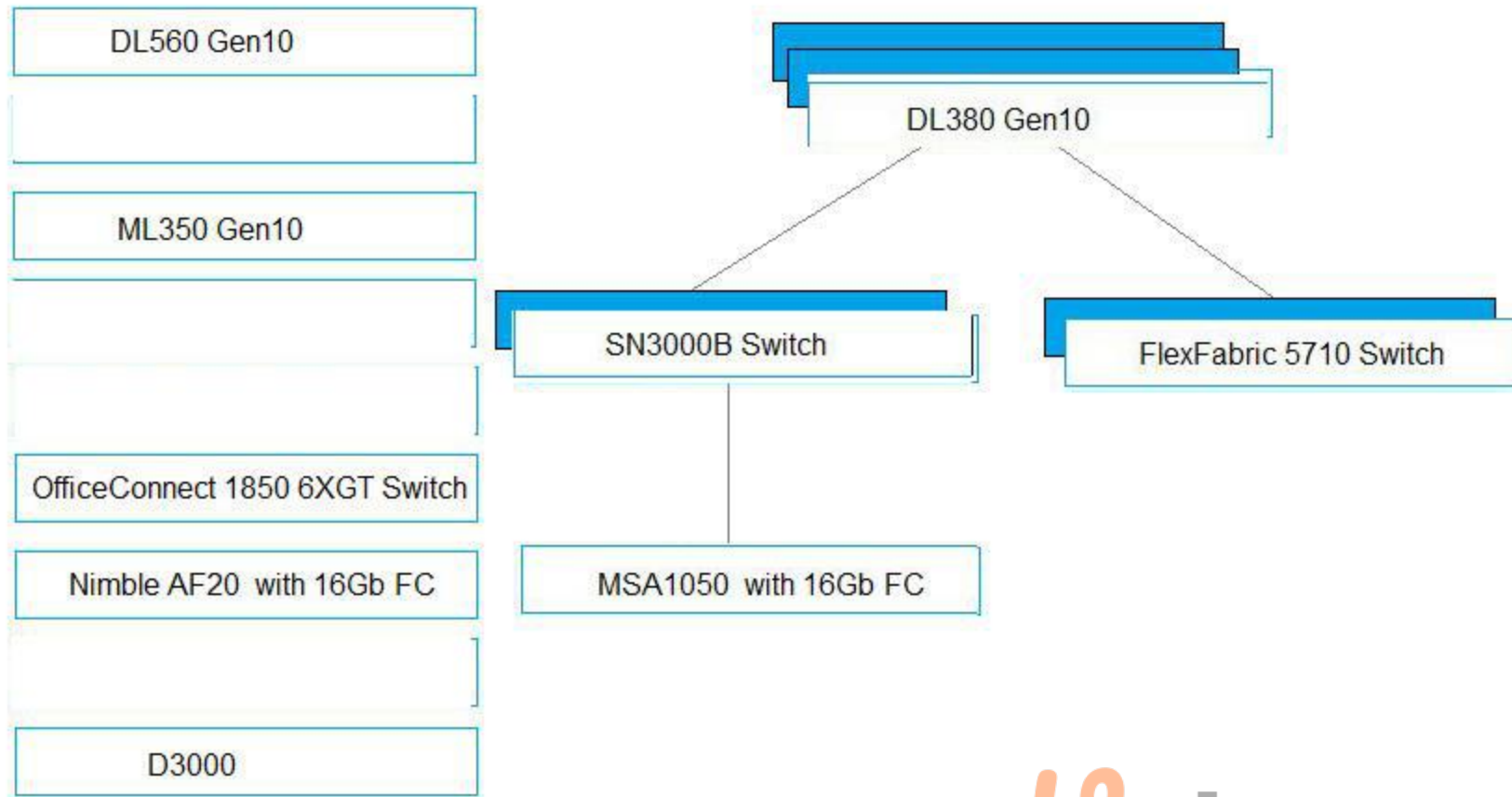
- DL560 Gen10
- DL380 Gen10
- ML350 Gen10
- SN3000B Switch
- FlexFabric 5710 Switch
- OfficeConnect 1850 6XGT Switch
- Nimble AF20 with 16Gb FC
- MSA1050 with 16Gb FC
- D3000



Correct Answer:



Answer Area



Section:

Explanation:

QUESTION 8

DRAG DROP

Match the stacking technology to the switch series.

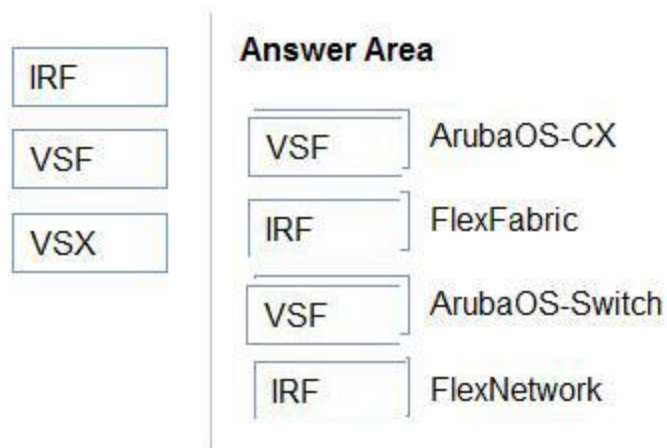
Select and Place:

- IRF
- VSF
- VSX

Answer Area

- ArubaOS-CX
- FlexFabric
- ArubaOS-Switch
- FlexNetwork

Correct Answer:



Section:

Explanation:

Reference:

<https://community.arubanetworks.com/community-home/digestviewer/viewthread?MID=25306>

https://en.wikipedia.org/wiki/Intelligent_Resilient_Framework

QUESTION 9

A customer needs to support both network and storage traffic on their network, which includes Ethernet, iSCSi, and Fibre Channel devices. The customer is concerned about the large amount of cables coming from the various cards inserted in their rack servers, as well as the operational costs in their data center.

Which component addresses these issues?

- A. Converged network adapter
- B. Dual-port 10 GbE FlexLOM
- C. Dynamic Smart Array controller
- D. Fibre Channel host bus adapter



Correct Answer: A

Section:

QUESTION 10

Which HPE tool can securely erase current content of a server and help with consistent and easy operating system installation?

- A. HPE System Insight Manager
- B. HPE Intelligent Management Center (IMC)
- C. HPE OneView
- D. HPE Intelligent Provisioning

Correct Answer: D

Section:

QUESTION 11

You are installing a data center switch.

Which methods are recommended to configure the switch? (Choose two.)

- A. Use out-of-band management with a dedicated management connection

- B. Use in-band management with an IP address and subnet mask that is reachable on the management network
- C. Use out-of-band management and keep the default settings
- D. Use in-band management and configure the AUX0 interface for scheme authentication

Correct Answer: A, B

Section:

QUESTION 12

You are installing new drives into the internal cage of a HPE ProLiant DL380 server.
How is the drive device number set?

- A. The Smart Array controller assigns the device number automatically based on the bay
- B. HPE OneView uses the server profile to assign the device number
- C. The operating system assigns the device number automatically based on the drive installation order
- D. You must use Smart Storage Administrator to assign the device number

Correct Answer: A

Section:

QUESTION 13

A customer needs a server memory subsystem that meets the following requirements: approaches the speed of traditional DRAM ensures high capacity, high performance, and ongoing data safety in case of a power failure
Which HPE memory feature meets the customer needs?

- A. Load Reduced DIMMs
- B. Memory Mirroring
- C. Fast Fault Tolerance Memory
- D. Persistent Memory

Correct Answer: D

Section:

Explanation:

Reference: https://www.hpe.com/emea_europe/en/servers/persistent-memory.html

QUESTION 14

Refer to the exhibit.



A Customer Nimble Storage Array

Summary: This is a single solution configuration.

Components: BOM Details for A Customer Nimble Storage Array

Layout: Expand All, Collapse All, Export Excel, CLIC and Power Check, BOM diff

	+/-	Quantity	Product #	Product Description
BOM	-	1	QBH39A	HPE Nimble Storage HF40 Adaptive Dual Controller 10GBASE-T 2-port Configure-to-order Base Array
Customer Intent	☰	1	QBQ27B	HPE Nimble Storage NOS Default FIO Software
Services	☰	1	QBH45A	HPE Nimble Storage HF40/60 Adaptive Array 42 TB (21x2TB) FIO HDD Bundle
	☰	1	QBH50A	HPE Nimble Storage HF40 Adaptive Array R2 2.88TB (6x480GB) FIO Cache Bundle
	☰	2	QBH14A	HPE Nimble Storage C19 to C20 250V 16Amp 1.8m PDU Base Array FIO Power Cord
	☰	1	R3P91A	HPE NS AF/HF OEM Tik

Item/Subitem	Severity	Product Number	Rule number	Advice Text
0100/01	Unbuildable	QBH39A	81125348	Advice Text Product#: QBH39A Rule#: 81125348 Item/Subitem: 0100/01 UNBUILDABLE CONFIGURATION:OVERRIDE REQUIRES FACTORY APPROVAL When ordering QBH39A - HPE Nimble Storage HF40 Adaptive Dual Co. minimum and maximum 1 quantity of the following Networking Adapters must be ordered. Q8883B FIO HPE NS Embedded 10GBASE-T 2p FIO Adptr Q8884B FIO HPE Nimble Storage 2x1GbE 2-port FIO Adapter Kit Q8885B FIO HPE Nimble Storage 4x1GbE 2-port FIO Adapter Kit Q8886B FIO HPE Nimble Storage 2x10GBASE-T 2-port FIO Adapter Kit Q8887B FIO HPE Nimble Storage 4x10GBASE-T 2-port FIO Adapter Kit Q8888B FIO HPE Nimble Storage 4x10GbE 2-port FIO Adapter Kit
0100/01	Unbuildable	QBH39A	81330046	
0100/01	Warning	QBH39A	81330047	

Power Check

Appliance	Severity	Required Power	Provided Power
There are no products with Power Supply selections available.			

Download Advice Done

You are validating a Nimble HF40 configuration created in OCA, and you receive an error when you run a CLIC check. Which Nimble component needs to be added to the configuration to complete the solution?

- A. HPE Nimble Storage HF40/60 Adaptive ES3 21TB HDD 1.44 TB Cache CTO Expansion Shelf
- B. HPE Nimble Storage HF40 Adaptive Array R2 2.88 TB FIO Cache Bundle
- C. HPE Nimble Storage Embedded 10GBASE-T 2-port FIO Adapter
- D. HPE Nimble Storage C19 to C20 250V 16 Amp 1.8m PDU Base Array FIO Power Cord

Correct Answer: A
Section:

QUESTION 15

Which storage array feature records only changes made to the base volume and keeps an earlier state of the original volume?

- A. snapshot
- B. clone
- C. virtual volume
- D. volume mirror

Correct Answer: A
Section:

Explanation:

Reference: <https://assets.ext.hpe.com/is/content/hpedam/a00093683enw> (10)

QUESTION 16

A local state college is implementing a new VDI cluster to support computer and testing labs. They have the following requirements:
Three VMware ESXi Hosts, each with one AMD processor, 1 TB of RAM, 16 Gbps FC Dual Port HBA.
HPE Nimble AF20 with 17 TB usable capacity.
Integration into an existing HPE FlexFabric 5710 and HPE SN3000B Fibre Channel SAN switches.
The solution must fit in 7U of rack space. If the customer needs more capacity in the future, they will use scale-out growth.
Which server model should you recommend to this client?

- A. HPE DL385
- B. HPE DL380
- C. HPE DL360
- D. HPE DL325

Correct Answer: B

Section:

QUESTION 17

A customer needs a storage solution to host a new virtualization platform that will host a database application. The customer is considering an HPE Nimble array. What features would lead you to propose an HPE Nimble array over an HPE 3PAR array (Select two.)

- A. inline deduplication and compression
- B. future proof design
- C. hyperconverged solution
- D. lower operating costs
- E. cloud Native

Correct Answer: A, D

Section:

QUESTION 18

A customer wants to optimize the performance of its storage array by moving data residing in one class of disks to a more appropriate class of disks based on data access patterns without manual intervention. Which HPE storage technology/feature will meet the customer requirement when the data is stored on an HPE 3PAR storage?

- A. Configure Adaptive Optimization with a minimum of 2 CPG's
- B. Use Wide striping on the Storage Pool level
- C. Activate SSD read cache on volume level
- D. Enable Automated Tiering on the Storage Pool level

Correct Answer: D

Section:

QUESTION 19

What connection type is identified by the following address type? B4-D5-BD-9F-0A-C3

- A. IPV6
- B. ISCSI
- C. MAC Address



D. WWN

Correct Answer: D

Section:

QUESTION 20

A customer needs an HPE Nimble storage solution with 100TB capacity. They want to be able to add more disk capacity if needed Which HPE tool can help you validate the proposed storage solution and that it is supported by HPE?

- A. HPE Ninjastars
- B. HPE One Config Advanced
- C. HPE Storage Sizing Tool
- D. HPE SPOCK

Correct Answer: C

Section:

QUESTION 21

A customer has a single ProLiant DL580 Gen10 running ESXI 7.0. They want to remotely power on the server. Which locally available management tool should they use to complete this task?

- A. HPE Composer
- B. ILO Advanced
- C. ILO Amplifier Pack
- D. HPE Oneview standard

Correct Answer: B

Section:

QUESTION 22

A high school is implementing a DHCP servers to support their production environment. They have the following requirements

- six rack servers, each with 1 CPU from Intel, at least 256GB of RAM. FC Dual Port HBA
- HPE Nimble AF20 with 17TB useable capacity
- integration into their existing HPE FlexFabric 5710 and HPE SN3000B Fibre Channel SAN switches if the customer needs more capacity in the future, they will use scale-out growth. Which server model should you recommend to this client?

- A. ProLiant DL 20 Gen10
- B. ProLiant DL 325 Gen10
- C. ProLiant DL 160 Gen10
- D. ProLiant DL 560 Gem10

Correct Answer: B

Section:

QUESTION 23

A security client needs a surveillance solution to support 239 Cameras. They expect to generate 2PB of data and require a 10Gb network infrastructure in a single rack. Which solution should you recommend to meet the customer requirements?



- A. HPE Moonshot
- B. HPE MSA
- C. HPE Apollo Servers
- D. HPE SimpliVity 380

Correct Answer: C

Section:

Explanation:

Reference: <https://h20195.www2.hp.com/v2/GetPDF.aspx/4AA0-6064ENW.pdf>

QUESTION 24

Refer to the exhibit.

Qty	Product Description
1	HPE StoreOnce 3620 24TB System
1	HPE StoreOnce Encryption E-LTU
1	HPE 3Y Foundation Care 24x7 SVC
1	HPE StoreOnce 3620 24TB System Support

A customer has been using VEEAM and the HPE StoreOnce 3620 shown in the exhibit to backup their environment. The customer's legal team has asked to double their retention times for all backup sets, and they are starting to run out of space on the StoreOnce.

Which options could you recommend that the customer add to their existing configuration to accommodate the new requirement? (Select two. Each option represents a separate solution.)

- A. HPE StoreOnce Cloud Bank Storage
- B. HPE StoreOnce 3620 24TB Capacity Upgrade Kit
- C. HPE StoreOnce Gen4 16Gb Fibre Channel Network Card
- D. HPE StoreOnce Gen4 10/25Gb SFP Network card
- E. HPE D3710 Storage Enclosure



Correct Answer: A, B

Section:

Explanation:

Reference: <https://www.hp.com/uk/en/product-catalog/storage/disk-based-backup-systems/pip.specifications.hp-storeonce-systems.1011014655.html>

QUESTION 25

A customer needs NFS access on a fiber channel array.

What must be included in the solution to meet this requirement?

- A. StoreEver
- B. Storage File Controller
- C. Smart Array Controller
- D. StoreOnce RMC

Correct Answer: B

Section:

Explanation:

StoreEver : Tape Library

<https://www.hp.com/us/en/storage/storeever-tape-storage.html>

Storage File Controller: HPE Storage File Controllers are the fast and easy way to add High-Performance file services to the HPE array or SAN

https://support.hp.com/hpsc/public/docDisplay?docId=a00056212en_us&docLocale=en_US

Smart Array Controller: Physical RAID Controller

https://support.hpe.com/hpesc/public/docDisplay?docLocale=en_US&docId=emr_naa00039156en_us

StoreOnce RMC: HPE Recovery Manager Central for backup and recovery

<https://www.hpe.com/us/en/storage/rmc-backup.html>

Reference: <https://h20195.www2.hpe.com/v2/gethtml.aspx?docname=a00047729enw>

QUESTION 26

What is the correct cable type to use when connecting a pair of switches using Long Range (LR) Transceivers?

- A. Direct Attach Cable (DAC)
- B. Twin-Ax
- C. Single Mode Fiber
- D. Multi-mode Fiber

Correct Answer: C

Section:

Explanation:

Single-mode uses a single relatively straight beam of light, transmitted directly through a core of glass (or occasionally plastic) that's usually 50 microns across. Single-mode accommodates large power levels, and is almost exclusively used for Long Range (LR) applications.

Reference: <https://info.hummingbirdnetworks.com/blog/answering-your-frequently-asked->

QNO:s-about- different-types-of-10-gigabit-cisco-sfp-units

QUESTION 27

When is it appropriate for a customer to implement HPE OneView Standard?

- A. To manage multiple servers
- B. To monitor their services
- C. To enable the Advanced iLO license
- D. To update firmware

Correct Answer: B

Section:

Explanation:

Reference: <https://h20195.www2.hpe.com/v2/GetPDF.aspx/c04111367.pdf>

QUESTION 28

You are creating a configuration for a new Nimble HF40 array.

Which tool should you use to ensure that you include adequate cache in the configuration?

- A. HPE NinjaSTARS
- B. HPE Storage Sizer
- C. HPE OneView
- D. HPE SPOCK

Correct Answer: A

Section:

Explanation:

NinjaSTARS is an interactive storage-sizing tool for HPE's Primera, Nimble, 3PAR and StoreOnce product lines. <https://saf.hpe.com/safdesktop/info/findit/index.php>



<https://community.hpe.com/t5/Array-Performance-and-Data/Nimble-Storage-Sizing-Tool/tdp/7008101#.YXcCsZpBzr>

QUESTION 29

A customer needs a single, dual-processor server for an Enterprise Resource Planning solution for a single office. The customer application uses a mix of HDDs and SSDs and up to 3TB of RAM. Which HPE Solution should you propose?

- A. HPE Synergy Solution
- B. HPE Apollo 2000 Server
- C. HPE ML350 Gen10
- D. HPE ML110 Gen10

Correct Answer: D

Section:

Explanation:

Reference: <https://h20195.www2.hpe.com/V2/GetPDF.aspx/4AA0-8758ENW.pdf>

QUESTION 30

What should you configure to limit the scope of broadcast domains in an Ethernet network?

- A. Trunks
- B. VSAN
- C. Static ARP
- D. VLAN

Correct Answer: D

Section:

Explanation:

Reference: <https://assets.ext.hpe.com/is/content/hpedam/documents/a00069000-9999/a00069468/a00069468enw.pdf>



QUESTION 31

What is an access port on an Ethernet switch?

- A. A port that carries FCP frames inside the network
- B. A port that carries multiple VLANs
- C. A port that is connected to an FCF
- D. A port that carries untagged frames inside the network

Correct Answer: D

Section:

Explanation:

Reference: https://support.hpe.com/hpesc/public/docDisplay?docId=mmr_kc-0102233

QUESTION 32

You are validating a configuration prior to quoting it for the customer. You plan to propose the following configuration:

Two HPE DL380 Gen10 servers with dual processors, 256GB of memory, dual 10Gb NICs, SN1100Q 16Gb dual port FC HBA, dual 800W power supplies, and high temperature fan kit HPE Nimble HF20H with 11TB storage, 960GB of cache, dual port 10GbE NIC, and 16Gb dual port FC adapter kit Two SN3000B FC Switches Which tool should you use to verify firmware compatibility between the storage and server components in this proposed solution?

- A. HPE NinjaSTARS
- B. HPE One Configuration Advanced
- C. HPE OneView Advanced
- D. HPE SPOCK

Correct Answer: D

Section:

QUESTION 33

A Network administrator connects two switches together with multiple links of the same speed, duplex, and media type. The administrator expected the links to be aggregated, but they are not. The administrator confirmed that the ports are part of the appropriate link aggregation groups and that the permitted VLANs match.

Switch A has the lower LACP System Priority.

Which LACP operation states describe the failure above?

- A. Switch A: Active; Switch B: Active
- B. Switch A: Active; Switch B: Passive
- C. Switch A: Passive; Switch B: Passive
- D. Switch A: Passive; Switch B: Active

Correct Answer: C

Section:

QUESTION 34

A customer has a VMware environment with HPE ProLiant servers and Nimble storage. They have been using a Windows VM to provide file services for their employees.

The customer is experiencing performance issues with the solution due to memory constraints on the virtual environment.

What could be added to the existing environment that will provide dedicated file services with better performance that would still utilize the existing storage and backup solutions?

- A. HPE StoreEver 30750
- B. HPE Storage Performance File Controller
- C. HPE StoreEasy 1460 Storage
- D. HPE StoreEasy 1650 Expanded Storage

Correct Answer: B

Section:

Explanation:

"The HPE Storage Performance File Controller (Q9D44A) is designed to connect to HPE 3PAR StoreServ and Nimble Storage arrays and other larger SAN environments"

QUESTION 35

Refer to the exhibit.


```
172.16.5.1 - PuTTY
K11-S14-A: admin> portshow 0/0/1
portIndex: 1
portName: port1
portHealth: Fabric vision license not present. Please install the license and retry the operation.

Authentication: None
portDisableReason: None
portCFlags: 0x1
portFlags: 0x20b03 PRESENT ACTIVE F_PORT G_PORT U_PORT LOGICAL_ONLINE LOGIN NOELP ACCEPT FLOGI
LocalSwcFlags: 0x0
portType: 18.0
PDP Port: Port is licensed
portState: 1 Online
Protocol: FC
portPhys: 6 In_Sync portScn: 32 F_Port
port generation number: 0
state transition count: 1

portId: 010100
portIfId: 43020015
portWwn: 20:01:c4:f5:7c:b3:25:e1
portWwn of device(s) connected:
    56:c9:ce:90:20:50:68:01
Distance: normal
portSpeed: N9Gbps

Credit Recovery: Inactive
Aoq: Inactive
FAA: Inactive
F_Trunk: Inactive
LE domain: 0
Peer beacon: Off
```

The information shown is displayed for a Nimble array you are installing. The customer's administrator has asked you for the speed at which the Nimble ports are connecting to their SAN switches, and you have run the command shown to determine the number of gigabits per second used by this port connection. What speed does the exhibit indicate is in use?

- A. 18
- B. 32
- C. 6
- D. 8

Correct Answer: D
Section:

QUESTION 36

An HPE customer wants to perform a simplified update of firmware and drivers among their 100 HPE Gen9 and Gen10 racked servers. Which HPE software tool should the customer use to minimize the time required to perform this activity.

- A. HPE Smart Update Manager
- B. HPE OneView Standard
- C. HPE ProLiant Support Pack
- D. HPE iLO Amplifier Pack

Correct Answer: A
Section:
Explanation:

Reference: <https://www.hpe.com/us/en/servers/smart-update.html>

QUESTION 37

A customer wants to install an HPE Proliant server that has a single dual port 10Gb NIC.
Which NIC feature should you introduce to allow each 10Gb port to be seen as four individual adapters in the operating system?

- A. NPAR
- B. RoCE
- C. FCoE
- D. RDMA

Correct Answer: A

Section:

Explanation:

Reference: <https://h20195.www2.hpe.com/V2/getpdf.aspx/c04312719.pdf?ver=12>

QUESTION 38

A retail company recently implemented a Video surveillance solution. They now need an MSA storage solution with 100TB capacity. They want to be able to add more disk capacity if needed.
Which HPE tool can help you choose a storage solution, determine the total usable capacity, and create a BOM?

- A. HPE SPOCK
- B. HPE NinjaSTARS
- C. HPE Storage Sizing Tool
- D. HPE One Config Advanced

Correct Answer: C

Section:

**QUESTION 39**

What is a feature of the MSA 1050 that will help your Storage Customer better utilize storage resources?

- A. block, file, and object access
- B. Triple+ parity RAID
- C. Automated Tiering
- D. 99.9999% guaranteed availability

Correct Answer: C

Section:

Explanation:

Reference: <https://h20195.www2.hpe.com/v2/getpdf.aspx/A00015961ENW.pdf?>

QUESTION 40

A customer requires a management solution that will provide email notifications if hardware errors occur on their servers.
Which management solution provides this functionality?

- A. UEFI System Configuration
- B. iLO Advanced Edition
- C. HPE SUM
- D. HPE SUT

Correct Answer: B

Section:

Explanation:

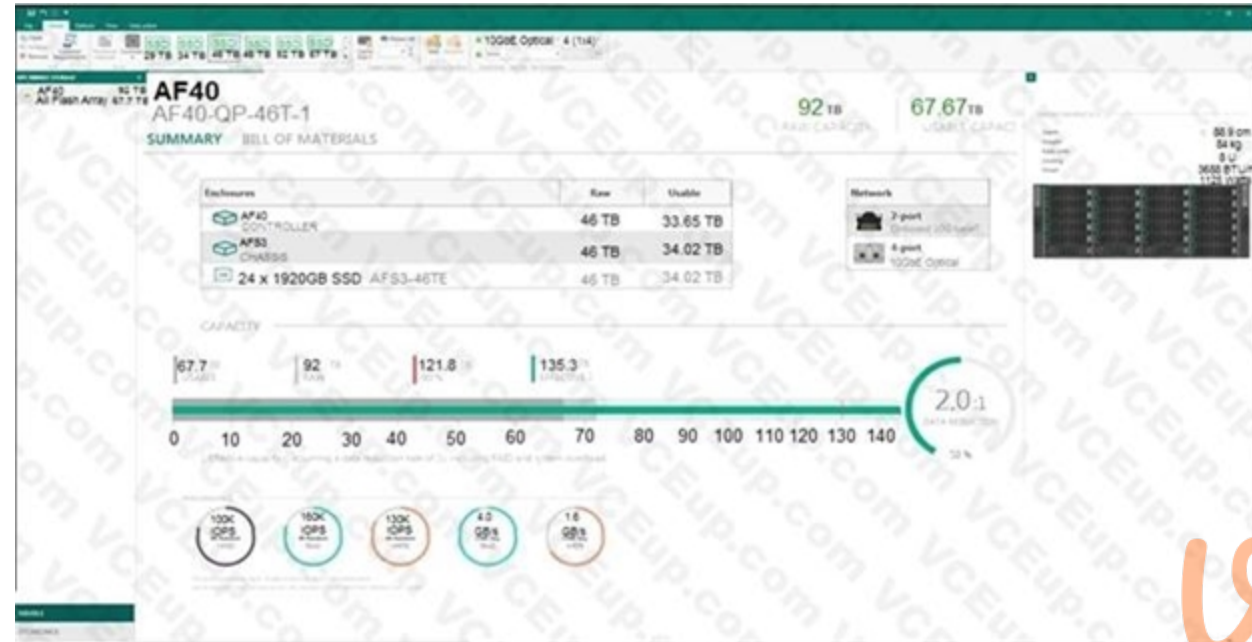
https://support.hpe.com/hpsc/public/docDisplay?docLocale=en_US&docId=emr_naa00026111en_us#N11E72

iLO AlertMail enables user to configure iLO to send alert conditions detected independently of the host operating system to one or more email addresses. iLO AlertMail messages include major host system events that appear in the IML. For example, if a fan failure occurs, an event is recorded in the IML and an email message with the details is sent to the configured email addresses.

Reference: https://support.hpe.com/hpsc/public/docDisplay?docLocale=en_US&docId=emr_naa00026111en_us

QUESTION 41

Refer to the exhibit.



A customer is planning to deploy a branch office server rack

What should you change in your configuration to ensure it meets the customer requirements?

- A. Change the controller to an AF20.
- B. Change the 10GbE Optical ports to Fibre Channel.
- C. Change the 10GbE Optical ports to 10BaseT.
- D. Change the controller to an HF20H.

Correct Answer: B

Section:

QUESTION 42

A customer has requested that you provide them with an architecture and bill-of-materials for a stack of top-of-rack switches. The customer has 34 HPE DL360 servers in the rack, each with four 1GBASET Ethernet ports which need to be connected to the network.

The customer is upgrading 50% of the 1GBASE-T Ethernet ports on the servers to 10GBASE-T Ethernet ports and needs the switching to support the upgraded servers. They are opposed to a chassis switch, and want to keep the number of managed devices on the network to a minimum.

Which architecture meets the customer requirements?

- A. One VSX stack of four Aruba 8320 48-port 1/10GBASE-T switches
- B. Two IRF stacks of two HPE 5710 48-port 1/10GBASE-T switches
- C. One IRF stack of four HPE 5710 48-port 1/10GBASE-T switches
- D. Two VSX stacks of two Aruba 8320 48-port 1/10GBASE-T switches

Correct Answer: C

Section:

Explanation:

Needs 4 switches for port count, customer wants minimum of managed devices so one stack, VSX only supports two switches so must be an IRF based stack. As to ShaunSong's comment, 10GBaseT ports also negotiate 1000BaseT so are inherently 1/10Gb capable.

QUESTION 43

A client complains about systems reliability issues caused by their staff's inability to identify the root cause of failures. The client's lead administrator wants to automatically send data from HPE OneView to additional listeners in the network.

What should you configure in HPE OneView to enable the external monitoring of the managed devices?

- A. Configure a scope to include the listener.
- B. Configure SNMP Trap Forwarding.
- C. Configure scheduled reports to export the data to the listener.
- D. Configure the listener as a managed device.

Correct Answer: B

Section:

Explanation:

Reference: <https://h20195.www2.hp.com/v2/getpdf.aspx/4AA5-3811ENW.pdf?>

QUESTION 44

Which backup targets are available from an HPE StoreOnce backup system? (Choose two.)

- A. VTL
- B. Catalyst
- C. NVMe
- D. S3
- E. iSCSI



Correct Answer: A, B

Section:

Explanation:

Reference: https://support.hp.com/hpesc/public/docDisplay?docId=emr_na-c03824941

HP StoreOnce Backup systems offer flexibility with virtual tape library (VTL), NAS and StoreOnce Catalyst targets for backup applications.

QUESTION 45

What is the most important difference between an HPE ProLiant DL380 Gen10 server and an HPE ProLiant DL385 Gen10 server?

- A. Disk Drives
- B. Power Supplies
- C. Network Cards
- D. Processors

Correct Answer: D

Section:

QUESTION 46

A customer is planning to deploy a branch office server rack. The environment will have the following requirements:

Single rack with 20 HPE ProLiant DL360 Gen10 Servers.

Each Server will have 6 x 10G SFP+ Ports.

Each Server will have a dedicated iLO port.

The customer requires that only two switches be used.

The customer requires separate control planes.

Which switch configuration can meet these requirements?

- A. 2 x HPE 5945 Series switch with IRF
- B. 2 x Aruba 8325 Series switches with VSX
- C. 2 x HPE 5945 Series switches standalone
- D. 2 x Aruba 8325 Series switches with backplane stacking.

Correct Answer: C

Section:

QUESTION 47

HPE Support asks you to generate an SSD wear gauge report for local storage on an HPE DL360 Gen10 server running VMware.

Which procedure will ensure that the server will boot directly into a maintenance state so you can generate the requested report?

- A. Changing the one-time boot option to Smart Storage Administrator in iLO web-based user interface
- B. Use Always On functionality of Intelligent Provisioning
- C. Changing the one-time boot option to Intelligent Provisioning in iLO web-based user interface
- D. Click Boot to System Setup Utilities in iLO web-based user interface
- E. Changing the one-time boot option to Intelligent Provisioning in HPE OneView



Correct Answer: C

Section:

Explanation:

Reference: https://support.hpe.com/hpesc/public/docDisplay?docId=emr_na-a00051235en_us

QUESTION 48

Which HPE solution brings together CPU, Memory, and Disk with an unpredictable workload into a single management infrastructure?

- A. dHCI
- B. SimpliVity
- C. Nimble
- D. Primera

Correct Answer: B

Section:

Explanation:

Reference: <https://community.hpe.com/t5/Around-the-Storage-Block/Acceleratinghyperconvergence-with-end-to-end-25GbE-storage/ba-p/7001560>

QUESTION 49

Which protocol can be used to access a shared directory on a network-attached storage device?

- A. SNMP
- B. SMB
- C. FCP
- D. BGP

Correct Answer: B

Section:

Explanation:

They typically provide access to files using network file sharing protocols such as NFS, SMB, or AFP.

Reference: https://en.wikipedia.org/wiki/Network-attached_storage

QUESTION 50

A customer needs a virtual desktop infrastructure environment to quickly deploy new desktop images to more than 70 onsite contractors. They plan to use HPE ProLiant DL360 Gen10 servers running VMware ESXi connected to a shared storage device. The customer requires deduplication because they are concerned about the required storage capacity for the full clone images.

Which storage device would best address their concerns?

- A. HPE MSA 1040
- B. HPE MSA 2052
- C. HPE Nimble AF20
- D. HPE Nimble HF20C

Correct Answer: C

Section:

Explanation:

<https://h20195.www2.hp.com/v2/getdocument.aspx?docname=a00008274enw>



QUESTION 51

Refer to the exhibit.

Qty	Product#	Product Description
1	868703-B21	HPE ProLiant DL380Gen10 8SFF Configure-to-order Server
1	868703-B21 B19	HPE DL380 Gen10 8SFF CTO Server
1	826860-L21	HPE DL380 Gen10 Intel Xeon-Gold 6144 (3.5GHz/8-core/150W) FIO Processor Kit
1	826860-B21	HPE DL380 Gen10 Intel Xeon-Gold 6144 (3.5GHz/8-core/150W) Processor Kit
12	815100-B21	HPE 32GB (1x32GB) Dual Rank x4 DDR4-2666 CAS-19-19-19 Registered Smart Memory Kit
2	870757-B21	HPE 600GB SAS 12G Enterprise 15K SFF(2.5in) SC 3yr Wty Digitally Signed Firmware HDD
2	727055-B21	HPE Ethernet 10Gb 2-port 562SFP+ Adapter
1	P01366-B21	HPE 96W SmartStorage Battery (up to 20 Devices) with 145mm Cable Kit
1	804331-B21	HPE Smart Array P408i-a SR Gen10 (8 Internal Lanes/2GB Cache) 12G SAS Modular Controller
2	865408-B21	HPE 500W Flex Slot Platinum Hot Plug Low Halogen Power Supply Kit
1	BD505A	HPE iLO Advanced 1-server License umep 3yr Support on iLO Licensed Features
1	P8B31A	HPE OneView w/o iLO including 3yr 24x7 Support 1-server FIO LTU
1	733660-B21	HPE 2U Small Form Factor Easy Install Rail Kit

A customer needs a server with four 10Gb network adapters. They need it to be configured for the best possible network throughput.

Given the BOM in the exhibit, what do you need to add to this server to meet the customer requirement?

- A. Workload Accelerator
- B. SSD Drives
- C. Smart Storage Hybrid Capacitor
- D. Secondary Riser Kit

Correct Answer: D

Section:

QUESTION 52

A customer needs a shared storage solution for a virtualization platform that will host a database application. The customer is considering an HPE Nimble array. Which feature would lead you to propose an HPE Nimble AF40 over an HPE 3PAR All Flash array?

- A. Fibre Channel Connectivity
- B. 10Gb iSCSI support
- C. Supported by Infosight for predictive analytics
- D. Predictable performance event with one failed controller

Correct Answer: D

Section:

Explanation:

Reference: <https://h20195.www2.hp.com/v2/GetPDF.aspx/a00008273enw.pdf>

<https://www.hp.com/us/en/pdfViewer.html?docId=a00043401&parentPage=/us/en/solutions/infosight&resourceTitle=HPE+InfoSight%3A+Artificial+Intelligence+for+autonomous+infrastructure+brochure>

QUESTION 53

A customer needs to verify inbound packet statistics for interface Ten-GigabitEthernet 1/0/10 on an HPE FlexFabric 5900 series switch used by an iSCSI storage array. Which command can be used in the CLI to perform this operation?

- A. show inbound counters port 1/0/10
- B. display counters inbound interface Ten-GigabitEthernet 1/0/10
- C. display all statistics from port 1/0/10
- D. interface Ten-GigabitEthernet 1/0/10 show counters



Correct Answer: B

Section:

Explanation:

https://techhub.hp.com/eginfolib/networking/docs/switches/5950/5200-4013a_l2-lan_cr/content/504039110.htm

QUESTION 54

What is a primary benefit of DAS?

- A. It takes advantage of Common Internet File System (CIFS).
- B. It is presented as an iSCSI LUN to the attached server.
- C. It can be accessed by both server and non-server devices simultaneously.
- D. It is connected directly to a server.

Correct Answer: D

Section:

QUESTION 55

Refer to the exhibit.

```
admin> cfgshow

Defined configuration:
  cfg:      zone_cfg_1
           nimble_esx_1_zone
zone:      nimble_esx_1_zone
           ESX1; NIMBLE1A
alias:     ESX1 51:40:2e:c0:11:0b:a4:c0
alias:     NIMBLE1A
           56:c9:ce:90:20:50:68:01

Effective configuration:
  cfg:      zone_cfg_1
zone:      nimble_esx_1_zone
           51:40:2e:c0:11:0b:a4:c0
           56:c9:ce:90:20:50:68:01
```

When performing a code upgrade on an HPE Nimble array, you noticed a connection failure on ESX1. Refer to the exhibit showing the complete zoning configuration of one of the HPE SN3000B switches. What should you do to ensure storage access is not interrupted when doing the next update?

- A. Create and ISL between the two HPE SN3000B switches.
- B. Create a new zone for ESX1 and the second storage controller.
- C. Change the timeout values on the SN3000B switch.
- D. Configure the same zone on a second HPE SN3000B.

Correct Answer: B

Section:

QUESTION 56

You have configured a port on an HPE FlexFabric 5900 series switch that is connected to a VMware ESXi server to support multiple VLANs.

```
interface Ten-GigabitEthernet 1/0/11 description server ESXi01 -eth1 port link-type trunk
port trunk permit vlan 50 port trunk permit vlan 2 port trunk pvid vlan 50
```

Given the configuration above, what should happen to any of the untagged traffic coming from the VMware ESXi host?

- A. The untagged traffic will be dropped.
- B. The untagged traffic will be transmitted in vlan 2.
- C. The untagged traffic will be transmitted in vlan 50.
- D. The untagged traffic will be transmitted in vlan 1.

Correct Answer: C

Section:

QUESTION 57

Which hardware and software components make up a Nimble dHCI infrastructure?

- A. HPE M-Series switch, HPE ProLiant DL servers, HPE Nimble, and VMware
- B. Aruba Switches, HPE Synergy, HPE Nimble, and VMware



- C. HPE M-Series switch, HPE ProLiant DL servers, HPE Nimble, and Hyper-V
- D. Aruba Switches, HPE Synergy, HPE Nimble, and Hyper-V

Correct Answer: A

Section:

Explanation:

Reference: <https://community.hpe.com/t5/HPE-Storage-Tech-Insiders/HPE-Nimble-Storage-dHCI-Technical-Overview/ba-p/7054163#.XnxfMW5RWQ4>

QUESTION 58

A customer just purchased a ProLiant 300 series Gen10 server and wants to install the latest version of Windows. Which feature of this server will assist the customer with the initial Windows installation?

- A. HPE SSA Diagnostics
- B. HPE SmartStart
- C. Smart Storage Administrator
- D. Intelligent Provisioning

Correct Answer: D

Section:

Explanation:

Reference: <https://community.hpe.com/t5/Alliances/Get-HPE-Gen10-Servers-with-Windows-Server-2019-up-and-Running-in/ba-p/7066128#.XnxeVG5RWQ4>

QUESTION 59

Refer to the exhibit.

```
<Switch-A>display int Ten-GigabitEthernet 1/0/1 Ten-GigabitEthernet1/0/1 Current state: UP
Line protocol state: UP IP packet frame type: Ethernet II, hardware address: d894-03fb-793d
Description: Ten-GigabitEthernet1/0/1 Interface Bandwidth: 10000000 kbps Loopback is not
set Media type is stack wire, port hardware type is STACK_SFP_PLUS 10Gbps-speed mode, full-
duplex mode Link speed type is autonegotiation, link duplex type is autonegotiation Flow-
control is not enabled Maximum frame length: 10000 Allow jumbo frames to pass Broadcast
max-ratio: 100% Multicast max-ratio: 100% Unicast max-ratio: 100% PVID: 1 MDI type:
Automdix Port link-type: Trunk VLAN Passing: 10, 20 VLAN permitted: 10, 20 Trunk port
encapsulation: IEEE 802.1q Port priority: 0 <SNIP>
```

An administrator connected a hypervisor to interface Ten-GigabitEthernet1/0/1 in a switch. The administrator created virtual machines in VLAN 10 and 20 on the hypervisor. VLAN 10 is configured to be tagged, and VLAN 20 is configured to be untagged on the hypervisor.

The administrator found that all the virtual machines in VLAN 20 can communicate with each other, but not with any virtual machines on VLAN 20 external to the hypervisor.

Given the output in the exhibit, customer needs a new environment to support an ERP system. The sizing information you received shows the following

- A. Permit VLAN 1 on the interface.
- B. Configure the PVID of the interface to be VLAN 20.
- C. Configure the interface as an access port.
- D. Configure the interface as an IRF port. check

Correct Answer: B

Section:

QUESTION 60

Which solution should you recommend to a customer for basic file and print services?

- A. Superdome Flex

- B. ProLiant
- C. Synergy
- D. Apollo

Correct Answer: B

Section:

QUESTION 61

You are installing an HPE Nimble HF20 into a customer's existing rack. Prior to installation, what should you consider?

- A. An HPE Nimble array has left-to-right airflow
- B. HPE recommends installing the HPE Nimble array at the top of the rack
- C. The HPE Nimble array will require 3-phase power
- D. HPE recommends racks with a depth of 1200 mm

Correct Answer: D

Section:

Explanation:

Reference: <https://h20195.www2.hp.com/v2/GetPDF.aspx/a00008274enw.pdf>

QUESTION 62

HPE support asks you to provide the Active Health System log from HPE StoreEasy 1660 Storage to expedite a troubleshooting process. Which procedures will generate the AHS log for HPE Support? (Choose two.)

- A. Download the AHS log from Server Manager dashboard
- B. Download the AHS log from Federation dashboard in StoreEasy Management Console
- C. Log in to the StoreEasy system with SSH and use the hpessacli command
- D. Boot to Intelligent Provisioning and download the AHS log from maintenance section
- E. Configure Remote Support on the iLO to send the log to HPE

Correct Answer: D, E

Section:

QUESTION 63

A customer wants an HPE solution to expand a Big Data platform. The company is outgrowing its current setup and expects to consume 1 PB of data in a few months and up to 2 PB of data within a year. Which HPE server platform is best suited for this use case?

- A. HPE Microserver
- B. HPE Edgeline
- C. HPE Apollo
- D. HPE ProLiant ML

Correct Answer: C

Section:

QUESTION 64

Which protocol verifies that the ports in common between two switches have compatible settings and removes the likelihood of a misconfigured aggregated link?

- A. RPVST+
- B. LACP
- C. GVRP
- D. 802.1q

Correct Answer: B

Section:

Explanation:

<https://support.hpe.com/hpesc/public/docDisplay?docId=c03152924> (LACP Priorities)

QUESTION 65

A customer is purchasing a complete HPE solution that includes servers, storage, and networking.

They need to leverage cloud storage for an off-site copy of their data in case of disaster.

Which HPE solutions should you suggest? (Choose two.)

- A. HPE MSA Storage
- B. HPE StoreOnce
- C. HPE Smart RAID
- D. HPE StoreEver
- E. HPE Nimble Storage

Correct Answer: B, E

Section:

QUESTION 66

Refer to the exhibit.



Qty	Product Description
1	HPE ProLiant DL380 Gen10 8SFF Configure-to-order Server
1	HPE DL380 Gen10 8SFF CTO Server
1	HPE DL380 Gen10 Intel Xeon-Gold 6143 (2.8GHz/16-core/205W) FIO Processor Kit
1	HPE DL380 Gen10 Intel Xeon-Gold 6143 (2.8GHz/16-core/205W) Processor Kit
16	HPE 32GB (1x32GB) Dual Rank x4 DDR4-2666 CAS-19-19-19 Registered Smart Memory Kit
2	HPE 480GB SATA 6G Mixed Use SFF (2.5in) SC 3yr Wty Digitally Signed Firmware SSD
1	HPE Ethernet 10Gb 2-port 562SFP+ Adapter
1	HPE Smart Array P408i-a SR Gen10 (8 Internal Lanes/2GB Cache) 12G SAS Modular Controller
1	HPE 96W Smart Storage Battery (up to 20 Devices) with 145mm Cable Kit
1	HPE Ethernet 10Gb 2-port 562FLR-SFP+ Adapter
1	HPE RAID 1 Drive 1 FIO Setting
1	HPE DL38X Gen10 High Performance Temperature Fan Kit
1	HPE 800W Flex Slot Platinum Hot Plug Low Halogen Power Supply Kit
1	HPE 2U Small Form Factor Easy Install Rail Kit

You are asked to review a server configuration for a customer before it is quoted. The server will be used in a business-critical environment and high availability is required. The server configuration is shown in the exhibit. What should be added to the configuration to ensure availability?

- A. HPE Smart Array P408i-a SR Gen10 12 G SAS Modular Controller
- B. HPE DL380 Gen10 Intel Xeon-Gold 6143 (2.8 GHz/16-core/205 W) Processor Kit
- C. HPE 800W Flex Slot Platinum Hot Plug Low Halogen Power Supply Kit
- D. HPE DL38X Gen10 12 Gb SAS Expander Card Kit

Correct Answer: C

Section:

QUESTION 67

A customer acquires an HPE 3PAR Storeserv 8200 Solution for a data center environment with the following configuration:

2 Controllers Nodes

Physical Service Processor

2-tier configuration using 16 SSD and 12 NL HDD

2 SN3000 San Switch each with 24 FC ports

After installation and configuration, the storage is put in production. When tiering with the Adaptive Optimization SW is being performed, the customer encountered performance differential issue.

What could be the cause of this issue?

- A. Disk enclosure are insufficient.
- B. File Controllers is missing.
- C. All-inclusive Multi-system software is missing.
- D. Solid State Drives and Nearline Drives are mixed.

Correct Answer: D

Section:

Explanation:

Reference: <https://d8tadude.com/2015/03/10/3par-adaptive-optimization-design/>

QUESTION 68

A customer needs to locate an exact time when a link down event occurred at the FC port of Nimble storage. Which on-premises tool can the customer use?

- A. Embedded UEFI Diagnostics
- B. HPE Nimble Storage web-based user interface
- C. HPE StoreServ Management Console
- D. HPE InfoSight

Correct Answer: D

Section:

Explanation:

Reference: <https://assets.ext.hpe.com/is/content/hpedam/documents/4aa4-8000-8999/4aa4-8543/4aa4-8543enw.pdf>

QUESTION 69

A customer's backup administrator is responsible for maintaining and coordinating all nightly backups of the company's 30 servers. Which HPE product can be used as the primary interface to orchestrate all backup targets and Catalyst copy functions?

- A. HPE StoreServ
- B. Smart Storage Administrator
- C. Intelligent Provisioning
- D. StoreOnce Management Console

Correct Answer: D

Section:

QUESTION 70

Which factors are used to determine RAM configuration maximum memory capacity? (Choose two.)

- A. number and model of qualified processors
- B. largest DIMM capacity qualified on the server
- C. speed of the DIMMs being used
- D. number of cores in the processor
- E. number of PCIe slots

Correct Answer: A, B

Section:

Explanation:

Reference: https://support.hpe.com/hpesc/public/docDisplay?docLocale=en_US&docId=emr_naa00027959en_us

QUESTION 71

A customer ordered a pair of HPE SN3000B 16 Gb Fibre Channel Switches to provide Fibre Channel connectivity between VMware ESXi hosts and HPE 3PAR StoreServ 8200. Which adapter is required to support Fibre Channel connectivity from the VMware ESXi hosts to the new switches?

- A. HBA



- B. SAS
- C. CNA
- D. NIC

Correct Answer: A

Section:

QUESTION 72

Read the question, and then refer to the exhibit.

<Switch-A>display interface Ten-GigabitEthernet 1/0/1 Ten-GigabitEthernet1/0/1 Current state:

Administratively DOWN Line protocol state: DOWN IP packet frame type: Ethernet II, hardware address: d894-03fb-793d Description: Ten-GigabitEthernet1/0/1 Interface Bandwidth: 10000000 kbps Loopback is not set Media type is stack wire, port hardware type is STACK_SFP_PLUS Unknown-speed mode, unknown-duplex mode

Link speed type is autonegotiation, link duplex type is autonegotiation Flow-control is not enabled Maximum frame length: 10000 Allow jumbo frames to pass Broadcast max-ratio: 100% Multicast max-ratio: 100% Unicast max-ratio: 100%

PVID: 1 MDI type: Automdix Port link-type: Trunk VLAN Passing: 10, 20 VLAN permitted: 10, 20 Trunk port encapsulation: IEEE 802.1q Port priority: 0 Last link flapping: 0 hours 0 minutes 18 seconds Last clearing of counters: Never Peak input rate: 78 bytes/sec, at 2011-03-31 04:55:57 Peak output rate: 15 bytes/sec, at 2011-03-30 23:00:57 Last 300 second input: 0 packets/sec 67 bytes/sec - % Last 300 second output: 0 packets/sec 14 bytes/sec - %

Input (total): 62670 packets, 8565340 bytes 0 unicasts, 0 broadcasts, 62670 multicasts, 0 pauses Input (normal): 62670 packets, - bytes 0 unicasts, 0 broadcasts, 62670 multicasts, 0 pauses Input: 0 input errors, 0 runts, 0 giants, 0 throttles 0 CRC, 0 frame, - overruns, 0 aborts – ignored, - parity errors Output (total): 3707 packets, 1294835 bytes 0 unicasts, 0 broadcasts, 3707 multicasts, 0 pauses Output (normal): 3707 packets, - bytes 0 unicasts, 0 broadcasts, 3707 multicasts, 0 pauses Output: 0 output errors, - underruns, - buffer failures 0 aborts, 0 deferred, 0 collisions, 0 late collisions 0 lost carrier, - no carrier

A customer added a new switch to their network. They connected it using interface Ten-GigabitEthernet 1/0/1. They are using VLAN 10 and 20 for the devices in their network.

The new switch was fully operational. Then, the customer experienced a power failure later that day and could not reach any device on the new switch after the power returned.

From the output in the exhibit, would could be the issue?

- A. The interface loopback is not set.
- B. The interface link-speed and duplex are unknown.
- C. The interface is administratively down.
- D. The interface is configured for a PVID of VLAN 1.



Correct Answer: C

Section:

Explanation:

"<Switch-A>display interface Ten-GigabitEthernet 1/0/1 Ten-GigabitEthernet1/0/1 Current state:

Administratively DOWN Line protocol state: DOWN IP"

QUESTION 73

A system administrator's performing the BIOS/Platform configuration of a DL380 Gen10 server. You notice the amber health LED.

The health status of which solution components can be verified with embedded UEFI Diagnostics?

(Choose two.)

- A. UEFI shell
- B. Memory
- C. Fans
- D. Nimble controller
- E. iSCSI HBA

Correct Answer: A, D

Section:

QUESTION 74

Which information is contained in the Array Diagnostic Report? (Choose two.)

- A. firmware version numbers
- B. device status
- C. file system types
- D. partition types
- E. operating system mount points

Correct Answer: A, B

Section:

QUESTION 75

Which HPE remote management tool offers simplified warranty and contract case management?

- A. HPE InfoSight
- B. HPE Insight Online
- C. HPE iLO Advanced
- D. HPE Smart Update Manager

Correct Answer: B

Section:

Explanation:

Reference: <https://h20195.www2.hp.com/v2/getpdf.aspx/c04123234.pdf>

**QUESTION 76**

Which series of internal checks will an HPE ProLiant server use to validate that the base hardware components are working correctly before booting the operating system?

- A. CMOS
- B. EDO
- C. POST
- D. BIOS

Correct Answer: C

Section:

QUESTION 77

A customer needs to move from their traditional tape-based backup infrastructure to a standalone application to disk based backup solution using HPE StoreOnce. The environment does not use a hypervisor. The customer has the following goals for their long-term backup retention: retain data for over two years at low cost data is archival and rarely accessed, if ever Which HPE StoreOnce components can help meet the customer goals in the most cost effective manner? (Choose three.)

- A. HPE StoreOnce 35xx
- B. HPE StoreOnce Cloud Bank Storage license
- C. Catalyst Replication license
- D. Azure Cloud or S3 object store
- E. HPE StoreOnce VSA

Correct Answer: B, C, D

Section:

QUESTION 78

Which disk technology provides the lowest latency for performing random reads?

- A. NVMe SSD
- B. SATA HDD
- C. SAS HDD
- D. SATA SSD

Correct Answer: A

Section:

Explanation:

Reference: <https://buy.hpe.com/us/en/options/solid-state-drives/hpe-nvme-high-performance-lowlatency-write-intensive-solid-state-drives/p/1012742161>

QUESTION 79

What does the term composable mean when applied to HPE infrastructure?

- A. pay-per-use consumption models
- B. hardware-defined infrastructure
- C. to provide all-flash like performance, but at a hybrid price point
- D. to simplify and accelerate DevOps and business innovation

Correct Answer: D

Section:

Explanation:

Infrastructure that can be provisioned on the fly with software-defined intelligence allows for optimal application performance. Logically pooling resources reduces both underutilization and overprovisioning to create a more agile, cost-effective data center. A unified management interface integrates formerly siloed infrastructure and operations and allows IT to be offered as a service, enabling modern DevOps practices to be adopted by organizations with critical legacy applications that need to remain on premises.

QUESTION 80

When configuring a single ProLiant Gen10 server, which embedded tool can be used to deploy a reliable and consistent configuration?

- A. HPE iLO Amplifier Pack
- B. HPE OneView
- C. Smart Update Manager
- D. Intelligent Provisioning

Correct Answer: D

Section:

Explanation:

Reference: https://support.hpe.com/hpesc/public/docDisplay?docId=a00026391en_us&docLocale=en_US#:~:text=Intelligent%20Provisioning%20is%20a%20single,later%20includes%20HPE%20SMB%20Setup.

QUESTION 81

Read the question, and then refer to the exhibit.

<Switch-A>display int Ten-GigabitEthernet 1/0/1 Ten-GigabitEthernet1/0/1 Current state: UP Line protocol state: UP IP packet frame type: Ethernet II, hardware address: d894-03fb-793d Description:

Ten-GigabitEthernet1/0/1 Interface Bandwidth: 10000000 kbps Loopback is not set Media type is stack wire, port hardware type is STACK SFP_PLUS 10Gbps-speed mode, full-duplex mode Link speed type is autonegotiation,



link duplex type is autonegotiation Flow-control is not enabled Maximum frame length: 10000 Allow jumbo frames to pass Broadcast max-ratio: 100% Multicast max-ratio: 100% Unicast max-ratio: 100% PVID: 1 MDI type: Automdix Port link-type: Trunk VLAN Passing: 10 VLAN permitted: 10 Trunk port encapsulation: IEEE 802.1q Port priority: 0 <SNIP> An administrator connected a hypervisor to interface Ten-Gigabit Ethernet1/0/1 in a switch. The administrator created virtual machines in VLAN 10 and 20 on the hypervisor. These VLANs are configured to be tagged on the hypervisor. The administrator found that all the virtual machines within VLAN 20 can communicate with each other, but not to any resource on VLAN 20 outside the hypervisor. What must you do to resolve this issue?

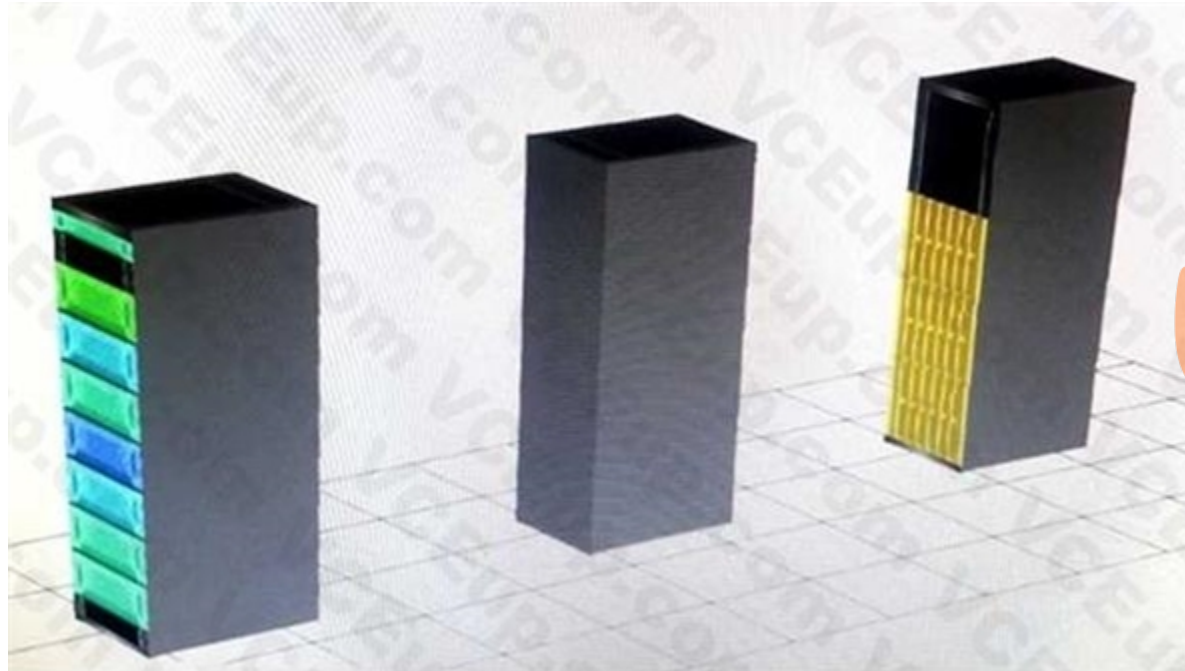
- A. Configure the interface as an access port.
- B. Configure the PVID of the interface to be VLAN 20.
- C. Permit VLAN 20 on the interface.
- D. Configure the interface as an IRF port.

Correct Answer: C

Section:

QUESTION 82

Refer to the exhibit.



You observed some high temperature alerts on a switch shown in the middle rack of the exhibit. The cooling in the data center is following best practices for the layout in the exhibit. The switch is an HPE 5945 series switch, and all the fans are operating normally. The switch is racked so that its ports face the rear of the rack. The administrator noticed the fan modules have red handles. What should the administrator do to resolve the issue?

- A. Replace the fan modules with port-to-power fan modules.
- B. Add additional fan modules to the switch.
- C. Replace the fan modules with power-to-port fan modules.
- D. Change the fan direction with the fan preferred direction command.

Correct Answer: D

Section:

QUESTION 83

A customer needs to update a server's firmware using the latest Support Pack for ProLiant (SPP).

They use a bootable USB flash drive to do so, and they select Interactive Mode on boot. Once the device boots, they are unsure how to proceed and ask for your assistance.

What can you tell them to do to easily update the firmware?

- A. Download a new version of Smart Update Manager.
- B. From Interactive mode, select the "Force Firmware" option.
- C. Reboot the server with the flash drive and leave in default mode.
- D. Run interactive mode from the Operating System instead.

Correct Answer: B

Section:

QUESTION 84

A customer with a Microsoft server environment wants to consolidate their employee home directories and other company file shares presented from an appliance as a single name space. Which HPE product should you recommend to the customer?

- A. StoreOnce
- B. StoreEasy
- C. SimpliVity
- D. MSA storage

Correct Answer: B

Section:

Explanation:

Reference:

https://support.hpe.com/hpesc/public/docDisplay?docId=a00076230en_us&docLocale=en_US



QUESTION 85

In which protocol are REST API requests transported?

- A. HTTP
- B. CRUD
- C. SOAP
- D. SSH

Correct Answer: A

Section:

Explanation:

Reference:

https://techhub.hpe.com/eginfolib/servers/docs/HPRestfultool/iLo4/data_model_reference.html

QUESTION 86

A customer's environment includes virtual machines and containers. They need an on-premises platform that allows them to easily and efficiently deploy cloud-native applications at rack-scale. Which HPE solution meets the customer requirements?

- A. MPE ProLiant for Microsoft Azure Stack
- B. HPE Synergy with VMware vSAN
- C. HPE Nimble iSCSI
- D. HPE Apollo Server

Correct Answer: C

Section:

Explanation:

Reference: <https://assets.ext.hpe.com/is/content/hpedam/a00059749enw>

QUESTION 87

A customer needs a solution for a rack of servers. They need connectivity for 14 HPE DL380 servers, which each have two 10-GBASE-T Ethernet ports, and 10 HPE DL360 servers, which have two 10GBASE-X SFP+ Ethernet ports.

They need switch redundancy for each server and want to connect all servers to the same switch stack. The client also needs a 400 Gb backbone connection to the data center core switch from the solution you are creating. Which architecture meets the customer requirements?

- A. One VSX stack of two Aruba 8320 48-port 1/10GBASE-X SFP+ switches with the following: 14 10GBASE-T transceivers in each switch 10 SFP+ to SFP+ DACs in each switch Two QSFP+ to Quad SFP+ adapters
- B. One IRF stack of two HPE 5945 2-Slot switches each with the following: One 24-Port SFP28 + 2-Port QSFP28 module One 24-Port 1/10GBASE-T + 2-Port QSFP+ module 10 SFP+ to SFP+ DACs in each switch
- C. One IRF stack of two HPE 5945 48-port 1/10GBASE-X SFP+ switches with the following: 14 10GBASE-T transceivers in each switch 10 SFP+ to SFP+ DACs in each switch
- D. One VSX stack of two Aruba 8325 48-port 1/10GBASE-X SFP+ switches with the following: 14 10GBASE-T transceivers in each switch 10 SFP+ to SFP+ DACs in each switch

Correct Answer: C

Section:

QUESTION 88

A customer needs to move data residing in one class of disks to a more appropriate class of disks based on data access patterns without manual intervention.

Which HPE MSA storage technology/feature will meet the customer requirement?

- A. Wide striping
- B. Automated Tiering
- C. Volume Tier Affinity
- D. SSD read cache



Correct Answer: B

Section:

Explanation:

Reference: <https://assets.ext.hpe.com/is/content/hpedam/4aa4-6892enw> (19)

QUESTION 89

A customer recently installed a VMware environment with HPE ProLiant, HPE MSA storage, and Aruba switches.

What should you recommend to the customer to manage their support contracts with HPE?

- A. HPE InfoSight
- B. HPE Recovery Manager Central
- C. Service Pack for ProLiant
- D. HPE Insight Online

Correct Answer: D

Section:

QUESTION 90

A customer needs a low cost block storage array for targeted workloads. The array needs to provide automated tiering, thin provisioning, and snapshot capabilities.

Which HPE storage solution meets the customer requirements?

- A. HPE MSA
- B. HPE D3000
- C. HPE Nimble
- D. HPE StoreEasy

Correct Answer: A

Section:

Explanation:

Reference: <https://h20195.www2.hp.com/v2/getpdf.aspx/A00015961ENW.pdf>

QUESTION 91

A customer has a single HPE ProLiant Gen 10 server.

Which embedded management tool should they use to monitor the server?

- A. HPE OneView Standard
- B. HPE Smart Update Manager
- C. NPE Intelligent Provisioning
- D. HPE iLO5

Correct Answer: B

Section:

Explanation:

Reference: <https://dustinweb.azureedge.net/media/483889/proliant-dl380-gen10-smb.pdf>



QUESTION 92

Which feature in a block storage array eliminates redundant data through the process of using indexes that refer to the original set of data?

- A. deduplication
- B. compression
- C. thin provisioning
- D. thick provisioning

Correct Answer: A

Section:

Explanation:

Reference: <https://searchstorage.techtarget.com/definition/data-deduplication>

QUESTION 93

A customer needs to integrate a new digital video surveillance solution into their existing environment and available network ports. The solution needs to include redundant hypervisor servers and a redundant SAN with a shared Fibre

Channel attached storage array.

You plan to propose the following configuration:

2 HPE DL380 Gen10 servers with dual processors, 384 GB of memory, dual port 10 Gb NIC, and High Performance Fan Kit 1 HPE MSA 2050 Dual Controller Storage Array with 24x 1.8 TB 10 K SAS drives and 96x 7.2K NL drives 4 VMware vSphere Standard licenses 1 VMware vCenter Server Foundation licenses 5 year 24x7x4 support for all equipment What must be added to the configuration to provide a complete solution? (Choose two.)

- A. 2 HPE 10/25 Gb 2-port 622FLR-SFP28 CNA

- B. 2 HPE FlexFabric 5710 switches
- C. 2 Aruba 8320 switches
- D. 2 HPE SN3000B switches
- E. 2 HPE StoreFabric SN1200E 16 Gb Dual Port FC HBAs

Correct Answer: D, E

Section:

QUESTION 94

A customer needs to provide inventory management, health monitoring, status alerting, and reporting for their ProLiant servers. Which HPE management offering meets the customer's needs?

- A. OneView
- B. Insight Remote Support
- C. InfoSight
- D. Insight Online

Correct Answer: A

Section:

QUESTION 95

Where would a customer go to run the SSD wear Gauge report on an HPE ProLiant server?

- A. OneView Standard
- B. UEFI System Bios
- C. insight Diagnostics
- D. Smart Storage Administrator

Correct Answer: D

Section:

QUESTION 96

A customer with limited IT administration resources needs a complete HPE server, storage, and networking solution. The solution must be able to be deployed in an hour or less through a simple, wizard-based setup. They want to manage the HPE solution through a simple, integrated plug-in to vCenter, since their IT staff members are already familiar with vCenter.

Which HPE solution best meets the customer requirements?

- A. HPE ConvergedSystem 750
- B. HPE ProLiant for Microsoft Azure Stack
- C. HPE Nimble Storage dHCI
- D. HPE OneView for VMware vCenter

Correct Answer: A

Section:

Explanation:

https://support.hpe.com/hpesc/public/docDisplay?docId=a00105348en_us&docLocale=en_US

QUESTION 97



For which virtualization management products does HPE OneView offer integration plug-ins?
(Select two.)

- A. Nutanix Prism infrastructure Manager
- B. Red Hat Enterprise Virtualization Manager
- C. Microsoft System Center
- D. VMware vCenter
- E. Citrix XenCenter

Correct Answer: C, D
Section:

QUESTION 98

A customer is experiencing read cache hit ratios well below 80 percent on an HPE Nimble HF40 array. Data is constantly being ejected from the Nimble array's First In First Out cache. What should you recommend?

- A. Upgrade the SSD bundle to add more capacity.
- B. Enable InfoSight's AI-based cache optimization setting.
- C. Turn off deduplication on affected volumes.
- D. Turn on deduplication on affected volumes.

Correct Answer: C
Section:

QUESTION 99

What is a benefit of a NAS device?

- A. SAS connectivity to hosts
- B. dedicated file services
- C. iSCSI Protocol services
- D. shared Block Level access

Correct Answer: B
Section:

QUESTION 100

You are installing a DL385 GEN10 LFF server at a customer site. The customer has a P8i6i-a RAID controller in the host. After installing the provided 8 LFF disks in the front drive bays, you realize that the order also included two more SFF drives for the OS to boot from, but there are no SFF drive slots in the server, because it shipped from the factory. Which action must be performed to finish the installation?

- A. Order the optional Premium 6 SAS/SATA+2 NVMe cage to house the two SFF drives.
- B. Install the two SFF drives in the two included SFF slots in the universal Media Bay.
- C. Give the two SFF drives to the customer to keep on-site in case of future drive failure.
- D. Order the optional 2-SFF rear drive box to house the two SFF drives.

Correct Answer: D
Section:



QUESTION 101

A customer requires a management solution that will provide email notifications if hardware errors occur on their servers. Which management solution provides this functionality?

- A. Embedded UEFI diagnostics
- B. HPE Intelligent Provisioning
- C. HPE Oneview
- D. iLO Standard Edition

Correct Answer: D

Section:

QUESTION 102

A customer Has a data center with third-party routers and firewalls You are designing a new data center network switch architecture consisting of FlexFabric switching for the data network and ArubaOS-Switch switching for the out-of-band management network.

The customer needs a network management platform with the capabilities to manage and monitor the entire environment Which management platform meets the customer requirements?

- A. Aruba Central
- B. HPE OneView
- C. HPE IMC
- D. Aruba Airwave

Correct Answer: C

Section:

QUESTION 103

A system administrator is performing the BIOS/Platform configuration of a DL380 Gen10 servers You notice the amber health LED.

The health status of which solution components can be verified with embedded UEFI Diagnostics?

{Select two.}

- A. Primera node
- B. iLONAND
- C. FC HBA
- D. Processor
- E. Power Supplies

Correct Answer: B, D

Section:

QUESTION 104

A customer requires five HPE ProLiant servers that will be mounted in a rack and shipped from site to site All servers must be online within an hour of site arrival Which feature will ensure that the servers will be available to the business if travel motion has damaged a DIMM?

- A. HPE Fast Fault Tolerance Memory protection
- B. Triple+ Parity RAID protection
- C. Flash Back Write Cache battery protection
- D. HPE Active Health System integration



Correct Answer: A

Section:

QUESTION 105

An administrator has two switches connected with a single link. The administrator observes that, during hours of peak activity, the storage traffic tends to consume the link. The link is shared with other types of traffic that is time sensitive.

What technology can the administrator use to help alleviate the situation while they are working towards a long-term solution?

- A. Open Shortest Path First (OSPF)
- B. Priority-based Flow Control (PFC)
- C. RDMA over Converged Ethernet (RoCE)
- D. Multi Active Discriminator (MAD)

Correct Answer: C

Section:

QUESTION 106

A customer needs to add storage capacity to a host in a remote branch office. They have limited IT resources, so the solution requires ease of integration at a low price point. Which HPE Storage family best meets these needs?

- A. HPE D3000 Enclosure
- B. HPE 3PAR StoreServ
- C. HPE MSA Storage Array
- D. HPE Nimble Storage

Correct Answer: C

Section:

QUESTION 107

What is the process of writing data to two locations within a single array in real time?

- A. replication
- B. business continuity
- C. data mirroring
- D. clustering

Correct Answer: C

Section:

QUESTION 108

A customer requests a quote for an HPE storage solution that meets these requirements

- fully redundant dual-controller storage array with no single points of failure
 - 1 Gb or 10 Gb iSCSI connectivity
 - at least four host-facing iSCSI ports
 - capable of expanding usable capacity in small increments of one-to-two disks
- Which HPE storage solution should be proposed?

- A. D3000
- B. MSA 1050



- C. Nimble AF20Q
- D. Nimble HF20

Correct Answer: B

Section:

QUESTION 109

A customer is facing high and unpredictable latency on an HPE ProLiant DL380 Gen10 server equipped with P408i-a controller Which tool can display an Array Diagnostic Report?

- A. Smart Storage Administrator
- B. HPE OneView
- C. UEFI Embedded Diagnostics
- D. HPE InfoSight

Correct Answer: A

Section:

QUESTION 110

Which HPE ProLiant server should you recommend for a home office environment where the server will be located in the same office as the user?

- A. HPE ML110
- B. HPE DL20
- C. HPE MicroServer
- D. HPEXL170r

Correct Answer: A

Section:

QUESTION 111

What is used to identify a storage HBA port in a Fibre Channel SAN fabric?

- A. WWN
- B. MAC Address
- C. SCSI ID
- D. ION

Correct Answer: A

Section:

QUESTION 112

A customer wants to optimize the performance of its storage array by moving data residing in one class of disks to a more appropriate class of disks based on data access patterns without manual intervention. Which HPE storage technology/feature will meet the customer requirement when the data is stored on an HPE Primera storage?

- A. Nothing needs to be done since this is part of the OS
- B. Activate SSD read cache on volume level
- C. This is not supported
- D. Enable Automated Tiering on the Storage Pool level



Correct Answer: C

Section:

Explanation:

<https://experistg.com/wp-content/uploads/2019/12/HPE-Primera-Technical-Whitepaper.pdf>

QUESTION 113

A customer has a single ProLiant DL560 Gen 10 running a virtualization system. They want to validate installed firmware components at the hardware level.

Which built-in management tool should they use to complete this task?

- A. HPE OneView Advanced
- B. ILO 5 Advanced
- C. UEFI
- D. HPE intelligent Provisioning

Correct Answer: B

Section:

QUESTION 114

A customer is implementing a redundant AD servers to support their lab environment. They have the following requirements

- four rack servers, each with 2 CPUs from AMD. at least 256GB of RAM. FC Dual Port hba
- HPE Nimble AF20 with 17TB useable capacity
- integration into their existing HPE FlexFabric 5710 and HPE SN3000B Fibre Channel SAN switches. if the customer needs more capacity in the future, they will use scale-out growth Which server model should you recommend to this client?

- A. ProLiant DL SGO Gen10
- B. ProLiant DL 360 Gen 10
- C. ProLiant DL 385 Gen10
- D. ProLiant DL 325 Gen10

Correct Answer: D

Section:

Explanation:

Topic 2, Practice Questions

QUESTION 115

When installing servers in a rack, a customer has left gaps between the servers.

What should you tell this customer regarding the space between servers? (Select two.)

- A. It should be filled with blanking panels.
- B. It does not provide correct rack airflow.
- C. It provides easy access for servicing components.
- D. It allows for easier cable management.
- E. It allows for side-to-side component cooling.

Correct Answer: A, B

Section:

QUESTION 116



A customer has a small branch office that requires a tower-based server solution. The customer runs office-based applications and wants lights-out management capability. Which HPE server family meets the customer's needs?

- A. ProLiant ML
- B. ProLiant DL
- C. ProLiant BL
- D. ProLiant MicroServer

Correct Answer: A
Section:

QUESTION 117

You are installing a rack at customer site. How can you ensure redundant power to the rack?

- A. Install two power distribution units (PDUs) with each one connected to a power socket supplied by an independent electrical power source.
- B. Ensure 3-phase power is available in the data center.
- C. Connect an uninterruptible power supply (UPS) to redundant circuit breakers at the facility power source.
- D. Use two different power cords to connect the server to the power grid at the customer site.

Correct Answer: C
Section:

QUESTION 118

A company needs a solution that provides SMB and NFS file shares. The solution must have a built-in data backup to Microsoft Azure. Which HPE solution meets the customer's needs?

- A. StoreOnce 3520
- B. StoreEasy 1000
- C. StoreOnce VSA
- D. StoreVirtual VSA

Correct Answer: B
Section:

QUESTION 119

A company plans to purchase new HPE servers. The company needs to maximize local storage capacity within the servers. Which HPE servers should the company install?

- A. ProLiant BL460c Gen10
- B. ProLiant DL380 Gen10
- C. ProLiant ML110 Gen 9
- D. ProLiant DL360 Gen 9

Correct Answer: B
Section:



QUESTION 120

A customer wants to decrease problem resolution time on their HPE infrastructure. Why would this customer benefit from Insight Remote Support?

- A. It provides event diagnosis and automatic, secure submission of hardware event notifications to HPE.
- B. It provides health monitoring and alerting and suggests resolutions for common issues.
- C. It monitors 1600 system parameters and applies analytics to predict problems before they can lead to system or component failure.
- D. It maintains an up-to-date change log by recording hardware and system changes in real-time.

Correct Answer: A

Section:

QUESTION 121

You are configuring an internal Smart Array controller on an HPE ProLiant server. Which statement is true regarding the drives in the logical array?

- A. HDDs and SSDs cannot be mixed in the same logical array.
- B. SATA HDDs and SAS SSDs can be mixed in the same logical array.
- C. SAS HDDs and SATA HDDs can be mixed in the same logical array.
- D. SATA SSDs and SATA HDDs can be mixed in the same logical array.

Correct Answer: A

Section:

QUESTION 122

You have completed a non-disruptive activation of firmware on an SN6000 switch. Which session must be restarted manually?

- A. Enterprise Fabric Management Suite session
- B. telnet session
- C. SAN connection Manager session
- D. QuickTools session

Correct Answer: B

Section:

QUESTION 123

You are installing HPE ProLiant servers into a rack that will be fully loaded. You also need to install four power distribution units (PDUs) in the rack. How should you install the PDUs to maximize power distribution and space efficiency?

- A. at the top of the rack with the cables running between the RETMA rails
- B. horizontally on extension bars mounted directly to the frame for improved clearance
- C. in the bottom bay of the rack with the outlets facing the front
- D. vertically, side by side on both sides of the rack with the outlets facing the center

Correct Answer: D

Section:



QUESTION 124

A customer is building out their rack of servers and storage systems. They need a high-performance network with a simple centralized management capability and deep buffer support for iSCSI. They expect high growth in their virtualization environment.

Which solution will best meet the customer's needs?

- A. Aruba
- B. Altoline
- C. Arista
- D. FlexFabric

Correct Answer: D

Section:

QUESTION 125

A customer needs the devices in their non-secure network to communicate in a secure manner. They are considering implementing Kerberos network authentication in their environment.

Which impact will this have when using iLO 5 with their HPE ProLiant Gen10 servers?

- A. It will enable two-factor authentication when users log on to iLO.
- B. It will enhance iLO security by leveraging the key stored in the silicon root of trust.
- C. It will allow the servers' iLO to detect compromised firmware code.
- D. It will enable Zero Sign In to log in to iLO without entering a user name and password.

Correct Answer: D

Section:

**QUESTION 126**

A customer needs to share files among their Linux-based servers in a cost effective manner. The customer is concerned about compatibility with the servers in their environment that run Windows.

Which HPE StoreEasy feature addresses the customer's concerns?

- A. RESTful API support across a variety of platforms
- B. symmetric processor architecture for uniformity in transaction processing
- C. use of virtualization technologies to overcome application compatibility issues
- D. multi-protocol access to the same file share over SMB and NFS protocols

Correct Answer: D

Section:

QUESTION 127

In which layer of the OSI model would you find an IP address?

- A. Application
- B. Network
- C. Physical
- D. Data link

Correct Answer: B

Section:

QUESTION 128

A customer has an application that consumes 500 GB storage and requires an RTO and PRO of 15 minutes. Which backup and recovery technology enables the customer to meet their requirements in the most cost-effective manner?

- A. offsite tape backup
- B. remote storage replication
- C. log shipping
- D. disk-to-disk appliance

Correct Answer: D

Section:

QUESTION 129

A customer is planning an upgrade to their network infrastructure. They want to move to an open networking solution, and they want to install a network switch that supports their choice of network operating system. Which HPE product family will meet the customer's needs?

- A. Altoline
- B. FlexFabric
- C. Arista
- D. Aruba

Correct Answer: A

Section:

QUESTION 130

A customer has implemented an HPE ProLiant server with internal storage and needs to monitor the array health status. Which management application can the customer use to discover errors quickly and minimize the possible downtime?

- A. Insight Online
- B. Smart Storage Administrator
- C. Intelligent Management Center
- D. InfoSight

Correct Answer: B

Section:

QUESTION 131

You are working in a data center with multiple servers and need to update the iLO 5 user names and passwords on a regular basis. Which tool enables you to streamline and automate this process?

- A. Central Management Console
- B. iLO Amplifier Pack
- C. Agentless Management
- D. RESTful API

Correct Answer: B

Section:



QUESTION 132

You are installing an HPE ProLiant server that has a shared network port for iLO and NIC teaming. You need to ensure that you can still access iLO after configuring the NIC team. Which teaming technology should you configure?

- A. round robin
- B. switch-assisted load balancing
- C. receive load balancing
- D. network fault tolerance

Correct Answer: D

Section:

QUESTION 133

You are installing an HPE StoreOnce backup system in a customer's environment. They need a simple and cost-effective method to centralize and automate the backup of multiple servers (file, virtualization, database). They also need the ability to integrate with an existing third-party backup software.

How must you configure the StoreOnce system to meet the customer's requirements?

- A. block device
- B. replication target
- C. NDMP target
- D. VTL device

Correct Answer: D

Section:

QUESTION 134

You plan to perform maintenance on several systems in a rack. You need to ensure that the rack does not tip when you are working on the equipment. What should you use?

- A. stabilizer kit
- B. lockable casters
- C. adjustable depth frame
- D. leveling feet

Correct Answer: A

Section:

QUESTION 135

You are troubleshooting an HPE ProLiant rack-mount server. You need to run diagnostic tests on local storage. Which HPE tool should you use?

- A. iLO
- B. Intelligent Management Center
- C. Smart Storage Administrator
- D. OneView

Correct Answer: B



Section:

QUESTION 136

What should you install with a server for a customer who may need to perform maintenance on the server while it is the rack? (Select two.)

- A. Cable Management Arm (CMA)
- B. redundant PDUs
- C. high performance fan kit
- D. rack stabilization kit
- E. blanking panels

Correct Answer: A, D

Section:

QUESTION 137

A customer needs to enable HPE Proactive Care and automated case creation for server hardware failures in their OneView environment. Which step do you need to complete in OneView to accomplish these tasks?

- A. Enable remote support from the Settings page.
- B. Apply the OneView Advanced monitoring license.
- C. Add the hosts to the managed devices group.
- D. Configure proactive scan reports.

Correct Answer: A

Section:



QUESTION 138

A customer requires an entry-level, all-flash storage system with predictable performance at the lowest possible price. They have performance-sensitive workloads that require speed and efficiency. Which HPE storage system meets the customer's requirements?

- A. 3PAR 8450
- B. MSA 2052
- C. StoreVirtual 4335
- D. Nimble AF 1000

Correct Answer: A

Section:

QUESTION 139

A customer is planning an upgrade in their data center. The customer needs to deploy on bare-metal and virtual servers easily through a common interface. In addition, they have expressed an interest in software-defined storage. Which HPE compute platform should you suggest?

- A. SimpliVity
- B. ProLiant DL servers
- C. Synergy
- D. BladeSystem

Correct Answer: C

Section:

QUESTION 140

You are creating a logical array on an HPE ProLiant server. The customer asks you to use drives with different capacities in a single array. What should you explain to this customer?

- A. Using drives with different capacities in a single array increases the chance of disk failure
- B. The extra capacity of the larger drives will not be utilized
- C. The process to create the array will fail, and the server will not boot
- D. The RAID level will be set at RAID 0 automatically

Correct Answer: B

Section:

QUESTION 141

A customer is configuring their SAN.

Which types of data typically require block storage? (Choose two.)

- A. Windows 2016 file server role
- B. Microsoft Exchange
- C. Oracle database
- D. Bridgehead medical image archive
- E. Enterprise Vault email archive

Correct Answer: B, C

Section:

QUESTION 142

A customer requires a MSA storage system that they use for archiving data. The system needs to provide a large amount of storage.

Which drive type meets the customer's needs?

- A. Mixed-use SSD
- B. SAS midline
- C. Read-intensive SSD
- D. SATA nearline

Correct Answer: D

Section:

QUESTION 143

A customer has a HPE OneView environment and has added all their HPE ProLiant servers and enclosures.

Which benefits does a customer gain by configuring Remote Support on their environment? (Choose two.)

- A. Support case resolutions are automatically generated for them based on real-time analyses
- B. HPE is given remote access rights to registered devices for quick and accurate problem resolution
- C. HPE Proactive Care is enabled and cases are created automatically in the event of hardware failures



- D. Proactive Scan reports and firmware/software analysis reports can be provided from collected data
- E. Real-time performance analytics result in failure predictions and online self-healing

Correct Answer: C, D

Section:

QUESTION 144

A customer has reported that while running an application that is streaming live data, they experience fluctuations in processor frequency as they increase the server performance. Which HPE ProLiant Gen10 system tuning feature would help eliminate this issue?

- A. workload matching
- B. silicon root of trust
- C. core boosting
- D. jitter smoothing

Correct Answer: D

Section:

QUESTION 145

A customer needs to implement VMware across a few racks of servers. They anticipate a large amount of VM creation and retirement. What are key technologies in a Top of Rack (ToR) switch that support this environment? (Choose three.)

- A. Smart Rate Support
- B. Deep Packet Buffers
- C. VPN Support
- D. PoE support
- E. MLAG support
- F. Rapid Configuration Management

Correct Answer: A, B, E

Section:

QUESTION 146

You are provisioning a new virtual disk group on a MSA storage system. Which disk group parameters must you specify when creating the vdisk? (Choose three.)

- A. RAID level
- B. LUN number
- C. type
- D. cache size
- E. name
- F. volume size

Correct Answer: A, C, E

Section:

QUESTION 147



Why is RAID 6 the best option for a large RAID set for archive storage on large-capacity drives?

- A. to reduce risk during volume rebuild
- B. to increase write performance on the volume
- C. to maximize capacity of the volume
- D. to reduce drive wear

Correct Answer: A

Section:

QUESTION 148

You are troubleshooting a HPE ProLiant Gen 9 server and need to find a consolidated view of all the system health and configuration information in a single web interface. Which HPE tool should you use?

- A. Central Management Console
- B. UEFI
- C. System Management Homepage
- D. InfoSight

Correct Answer: C

Section:

QUESTION 149

A server administrator needs to see the 24-hour history of the power consumed by an installed HPE ProLiant server. Which HPE tool can the admin use to gather this information?

- A. IMC
- B. Power Advisor
- C. iLO
- D. UEFI

Correct Answer: C

Section:

QUESTION 150

A fast-growing customer with a NAS-based storage solution is evaluating Fibre Channel storage for their VMware environment. How would this customer benefit from adding 16 Gb Fibre Channel storage to their environment? (Choose two.)

- A. increased performance
- B. simplified connectivity
- C. increased simplicity
- D. reduced latency
- E. simplified administration

Correct Answer: A, D

Section:



QUESTION 151

You are installing a combined server and storage solution at a customer location. What must you keep in mind regarding the typical requirements for the location? (Choose two.)

- A. Room temperature must not exceed 35 °C (95 °F)
- B. Rack tie kit should be installed on the rack for proper airflow
- C. UPSs should be installed at the top of the rack for top mounted power feed
- D. There must be at least a 10 cm (4 in) clearance space at the front and back of the components within the racks
- E. Rack doors must be unlocked for easy component removal and maintenance

Correct Answer: A, D

Section:

QUESTION 152

A customer needs a storage to run a database in an environment with many virtual machines. You have recommended a HPE MSA 2042 solution, but the customer has reservations about whether the MSA 2042 can deliver the required performance.

Which feature of MSA 2042 will help to improve IOP performance?

- A. 1 Gb iSCSI connectivity
- B. thin provisioning
- C. RAID 6 Advanced Data Guarding (ADG)
- D. optimal flash acceleration

Correct Answer: D

Section:

**QUESTION 153**

A customer reports that their new iSCSI MSA 2052 has failed. You find that the MSA is up and running, but the servers cannot mount their LUNs.

Which troubleshooting steps should you prioritize? (Choose two.)

- A. Use Smart Storage Administrator (SSA) to view the STATS report on the MSA
- B. Use NIC teaming utility to validate the iSCSI initiator configuration
- C. Use remote console to check the switch port configuration
- D. Use remote console to validate the WWNs on the MSA
- E. Use remote console to ensure correct MSA port configuration

Correct Answer: C, E

Section:

QUESTION 154

A customer needs to replace an existing storage array. The new array must be suitable for remote office deployment and support the following:

Multi-protocol connectivity

Flash-accelerated storage

Low-cost midline SAS drives

Which HPE storage platform will meet these requirements?

- A. StoreVirtual VSA
- B. MSA

- C. SimpliVity
- D. StoreEasy

Correct Answer: B

Section:

QUESTION 155

You need to configure a HPE ProLiant server and plan to install an operating system that supports Secure Boot. Which system utility should you use to configure the server?

- A. Intelligent Provisioning
- B. Smart Storage Administrator
- C. iLO
- D. UEFI

Correct Answer: D

Section:

QUESTION 156

A customer requires 12 Gb local storage for their VMware boot volumes, which require highperformance read cycles to enable the operating system to boot quickly. Which drive type provides the most appropriate size and most cost-effective way to meet this requirement?

- A. Mixed-use SSD
- B. Flash media drive
- C. SATA nearline
- D. SAS midline

Correct Answer: B

Section:

QUESTION 157

A customer is considering an upgrade of their network, which connects 10 servers. The customer has a converged data center networking architecture with Layer 2 and Layer 3 functionality. Which HPE product family will meet this customer's needs?

- A. Arista
- B. Altoline
- C. Aruba
- D. FlexFabric

Correct Answer: D, B

Section:

QUESTION 158

A customer requests a quote for an HPE storage solution that meets the following requirements

- Fully redundant dual-controller storage array with no single points of failure
- 10Gb iSCSI connectivity
- At least four host-facing iSCSI ports
- Guaranteed 6-nines data availability



Which HPE storage solution should you propose?

- A. HPE Primer 630
- B. HPE Nimble storage HF20
- C. HPE D3000
- D. HPE Nimble storage AF40 dHCI

Correct Answer: B

Section:

QUESTION 159

Which storage array feature duplicates all the data from one original base volume to another volume called the destination volume?

- A. Backup
- B. Fully Provisioned Virtual Volume
- C. Clone
- D. Thin Provisioned Virtual Volume

Correct Answer: C

Section:

QUESTION 160

A customer needs a storage solution to host a new virtualization platform that will host a database application. The customer is considering an HPE Nimble array. What features would lead you to propose an HPE Nimble array over an HPE 3PAR array? (Select two.)

- A. future proof design
- B. global replication
- C. 10GD Base-T connectivity
- D. lower operating costs
- E. supports Object S3 Storage

Correct Answer: C, D

Section:

QUESTION 161

You are designing a system for a customer that runs an OLTP application. The customer has SAN based storage. They need to accelerate application performance. Which HPE ProLiant Gen10 feature set will address this customer's needs?

- A. intelligent system tuning
- B. intelligent provisioning
- C. CNSA suite
- D. scalable persistent memory

Correct Answer: A

Section:

QUESTION 162

DRAG DROP

Match each customer data center architecture to its network topology.

Select and Place:

Answer Area

Collapsed 1-Tier using IRF/VSX

Optimized L2 Fabric using IRF/VSX

Optimized L3 Fabric using IRF/VSX

Spine and leaf L3 ECMP using VXLAN and EVPN

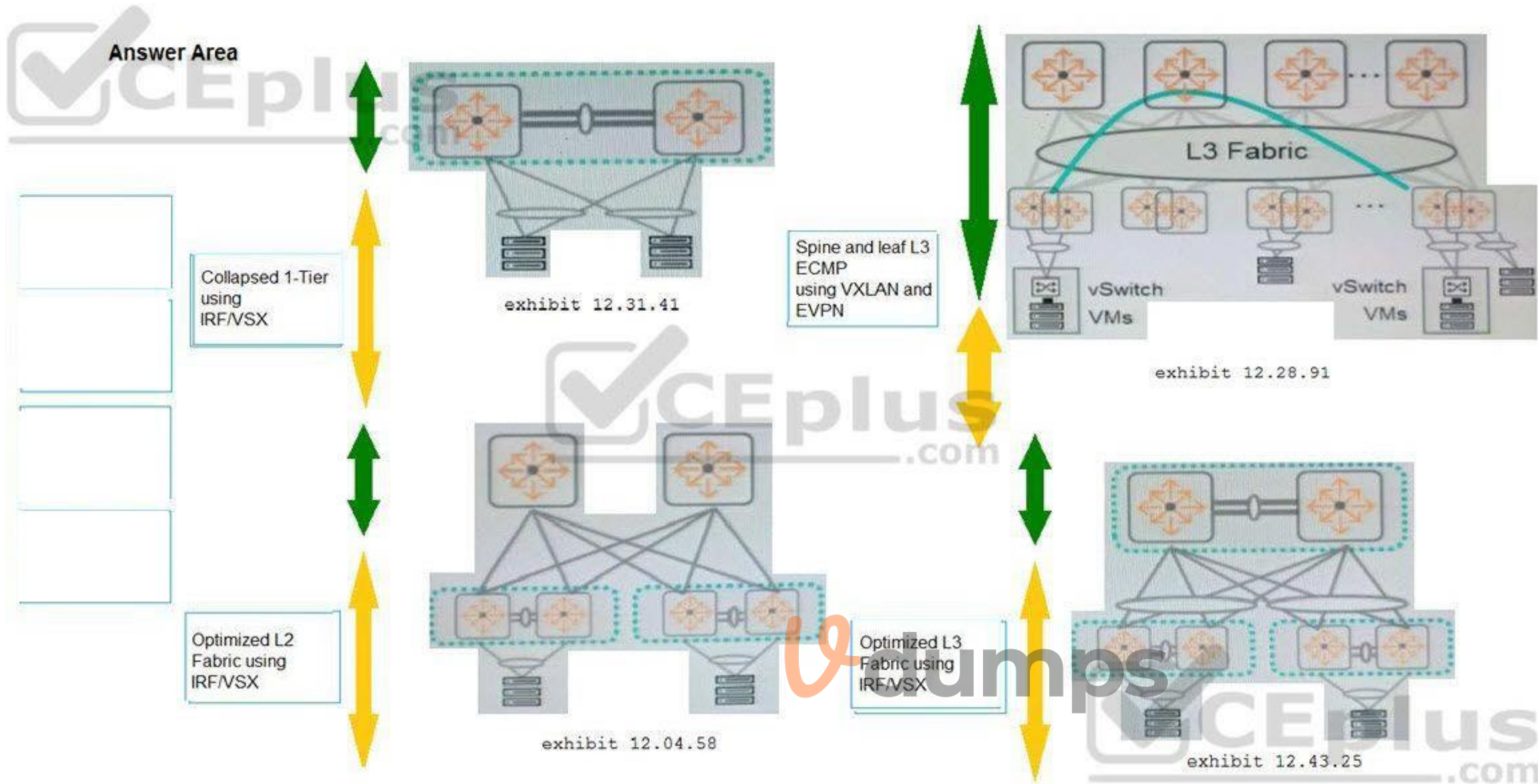
exhibit 12.31.41

exhibit 12.28.91

exhibit 12.04.58

exhibit 12.43.25

Correct Answer:



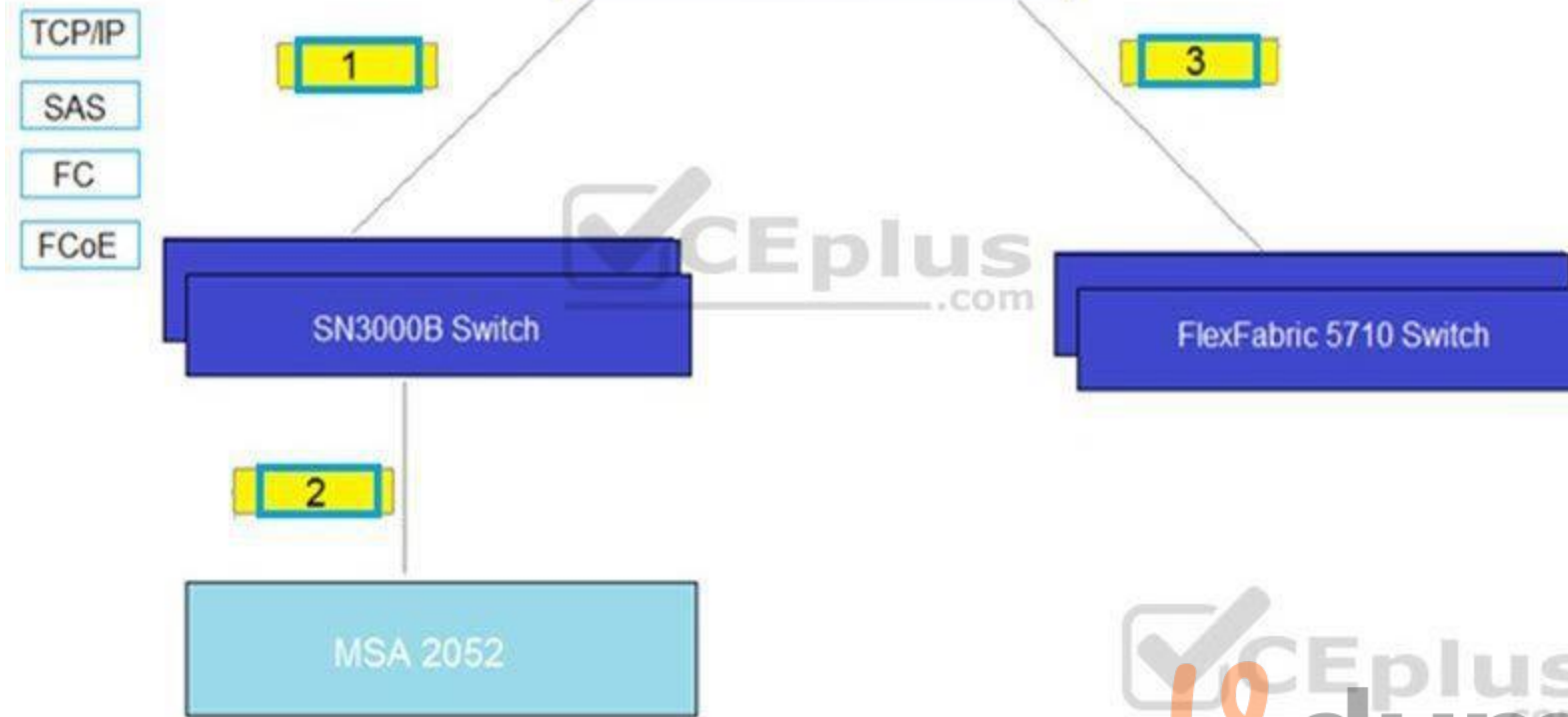
Section:
Explanation:

QUESTION 163

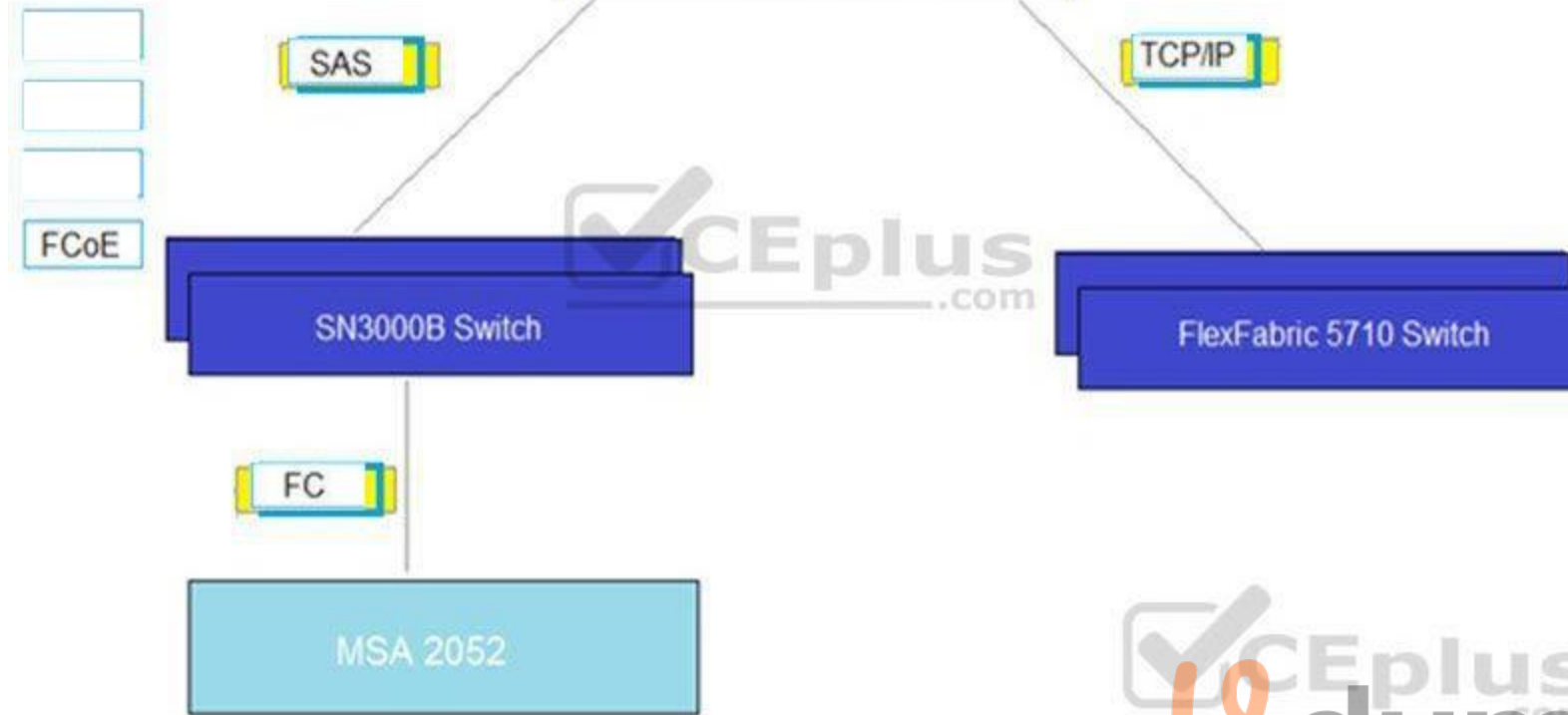
DRAG DROP

Drag the correct protocols from the left to their appropriate area on the topology.

Select and Place:



Correct Answer:



Section:
Explanation:

QUESTION 164

DRAG DROP

Match each characteristic to the appropriate RAID level.

Select and Place:

Answer Area
CEplus.com
RAID level

Characteristic

Raid0	<input type="text"/>	double parity striped across all disks
Raid1	<input type="text"/>	if one disk fails, all data is lost
Raid5	<input type="text"/>	requires a minimum of 3 disk drives
Raid6	<input type="text"/>	requires 50% of raw capacity for fault protection

Correct Answer:

Answer Area

CEplus.com

RAID level

Characteristic

Raid6	double parity striped across all disks
Raid0	if one disk fails, all data is lost
Raid5	requires a minimum of 3 disk drives
Raid1	requires 50% of raw capacity for fault protection

Section:

Explanation:

QUESTION 165

DRAG DROP

A customer is considering an upgrade of their networking infrastructure with HPE FlexFabric 5940 series switch.

Match the fan tray option with the airflow direction.

Select and Place:

Answer Area

CEplus.com



	<input type="text"/>	HPE 58x0AF Power-to-Port Airflow Fan Tray
Front to back	<input type="text"/>	HPE 58x0AF Port-to-Port Airflow Fan Tray
Back to front	<input type="text"/>	HPE X711 Port-to-Power Airflow High Volume Fan Tray
	<input type="text"/>	HPE X712 Power-to-Port Airflow High Volume Fan Tray

Correct Answer:

Answer Area

CEplus.com

	Back to front	HPE 58x0AF Power-to-Port Airflow Fan Tray
Front to back	Front to back	HPE 58x0AF Port-to-Port Airflow Fan Tray
Back to front	Front to back	HPE X711 Port-to-Power Airflow High Volume Fan Tray
	Back to front	HPE X712 Power-to-Port Airflow High Volume Fan Tray

Section:

Explanation:

QUESTION 166

DRAG DROP

Match each adapter to its characteristic.

Select and Place:

Answer Area



Adapter

Characteristic

FlexLOM	<input type="text"/>	provide RAID configuration using disks internal to the server
FlexFabric	<input type="text"/>	allow choice of network interface on the motherboard
Smart Array	<input type="text"/>	connect to native Fibre Channel SAN with a PCIe adapter
HBA	<input type="text"/>	connect to a Fibre Channel over Ethernet (FCoE) SAN environment with a PCIe adapter

Correct Answer:

Answer Area



Adapter

Characteristic

Smart Array	provide RAID configuration using disks internal to the server
FlexLOM	allow choice of network interface on the motherboard
HBA	connect to native Fibre Channel SAN with a PCIe adapter
FlexFabric	connect to a Fibre Channel over Ethernet (FCoE) SAN environment with a PCIe adapter



Section:

Explanation:

QUESTION 167

DRAG DROP

Indicate whether each management feature manages or monitors a single system or multiple systems.

Select and Place:



HPE 3PAR SSMC

Managing/Monitoring a Single System



HPE OneView Global Dashboard

Managing/Monitoring Multiple Systems

HPE Intelligent Provisioning

HPE Smart Storage Administrator



Correct Answer:



Managing/Monitoring a Single System

HPE 3PAR SSMC

Managing/Monitoring a Single System

Managing/Monitoring Multiple Systems

HPE OneView Global Dashboard

Managing/Monitoring Multiple Systems

Managing/Monitoring a Single System

HPE Intelligent Provisioning

Managing/Monitoring Multiple Systems

HPE Smart Storage Administrator



Section:

Explanation:

QUESTION 168

DRAG DROP

A customer needs a new VMware environment for a critical stock trading application and will need high performance compute and low latency storage. Identify the correct component configurations on the left and drag them to the answer area on the right. (Choose two.)

Select and Place:

Options

Two HPE DL380 Gen10 servers with two Intel Xeon-Bronze 3104 processors, 64GB of memory, two dual 10Gb NICs, dual 800W power supplies, and high temperature fan kit.

Two HPE DL380 Gen10 servers with two Intel Xeon-Platinum 8270 processors, 256GB of memory, two dual 10Gb NICs, dual 800W power supplies, and high temperature fan kit.

HPE Nimble HF20H with 11TB storage, 960GB of cache, and dual port 10GbE NIC

HPE Nimble AF20 with 11TB storage, and dual port 10GbE NIC

Answer Area



Correct Answer:

Options

Two HPE DL380 Gen10 servers with two Intel Xeon-Bronze 3104 processors, 64GB of memory, two dual 10Gb NICs, dual 800W power supplies, and high temperature fan kit.

Two HPE DL380 Gen10 servers with two Intel Xeon-Platinum 8270 processors, 256GB of memory, two dual 10Gb NICs, dual 800W power supplies, and high temperature fan kit.

HPE Nimble HF20H with 11TB storage, 960GB of cache, and dual port 10GbE NIC

HPE Nimble AF20 with 11TB storage, and dual port 10GbE NIC

Answer Area

Two HPE DL380 Gen10 servers with two Intel Xeon-Bronze 3104 processors, 64GB of memory, two dual 10Gb NICs, dual 800W power supplies, and high temperature fan kit.

HPE Nimble HF20H with 11TB storage, 960GB of cache, and dual port 10GbE NIC



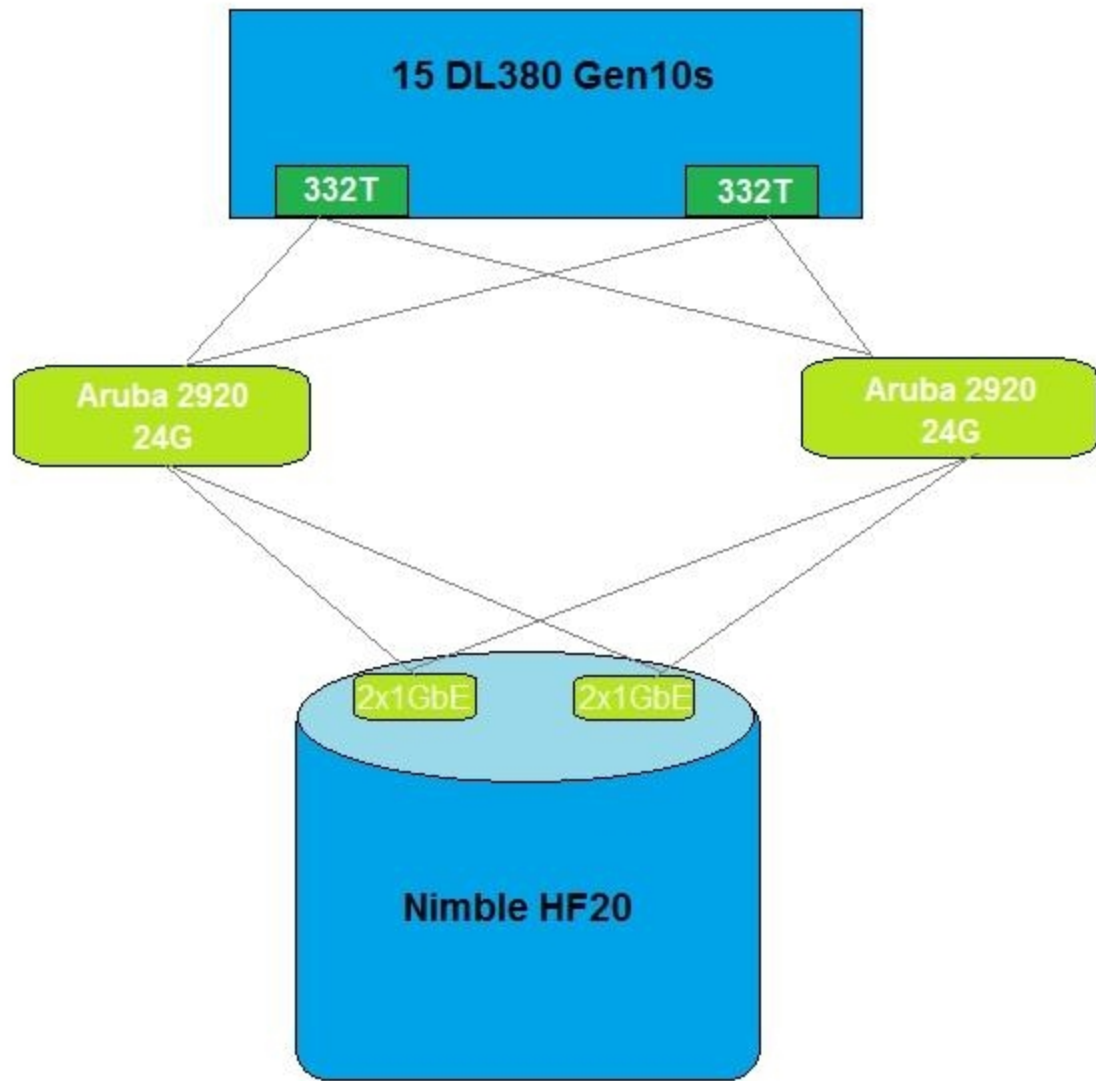
Section:

Explanation:

QUESTION 169

DRAG DROP

Refer to the exhibit.



A customer purchased a server/storage environment shown in the exhibit with 1 Gb networking connectivity.

The customer is now experiencing performance issues.

Identify the correct components to upgrade the network connections and improve performance on the left. Then drag those components to the answer area on the right. (Choose three.)

Select and Place:

Options

Answer Area

HPE FlexFabric 5710 24 XGT Switch

Aruba 3810M 24SFP+ Switch

HPE Nimble Storage 2x16Gb Fibre Channel 2-port FIO Adapter Kit

HPE Nimble Storage 2x10GBASE-T 2-port FIO Adapter Kit

HPE Ethernet 10Gb 2-port 535T Adapter

HPE Ethernet 10Gb 2-port 524SFP+ Adapter



Correct Answer:



Options

HPE FlexFabric 5710 24XGT Switch

HPE Nimble Storage 2x16Gb Fibre Channel 2-port FIO Adapter Kit

HPE Ethernet 10Gb 2-port 524SFP+ Adapter

Answer Area

Aruba 3810M 24SFP+ Switch

HPE Nimble Storage 2x10GBASE-T 2-port FIO Adapter Kit

HPE Ethernet 10Gb 2-port 535T Adapter



Section:

Explanation:

QUESTION 170

DRAG DROP

A customer needs a new environment to support an ERP system. The sizing information you received shows the following requirements:

3 servers with dual AMD processors, 256GB RAM, and 10Gb network connectivity

10TB of high performance shared storage

Cloud-based performance monitoring and analytics

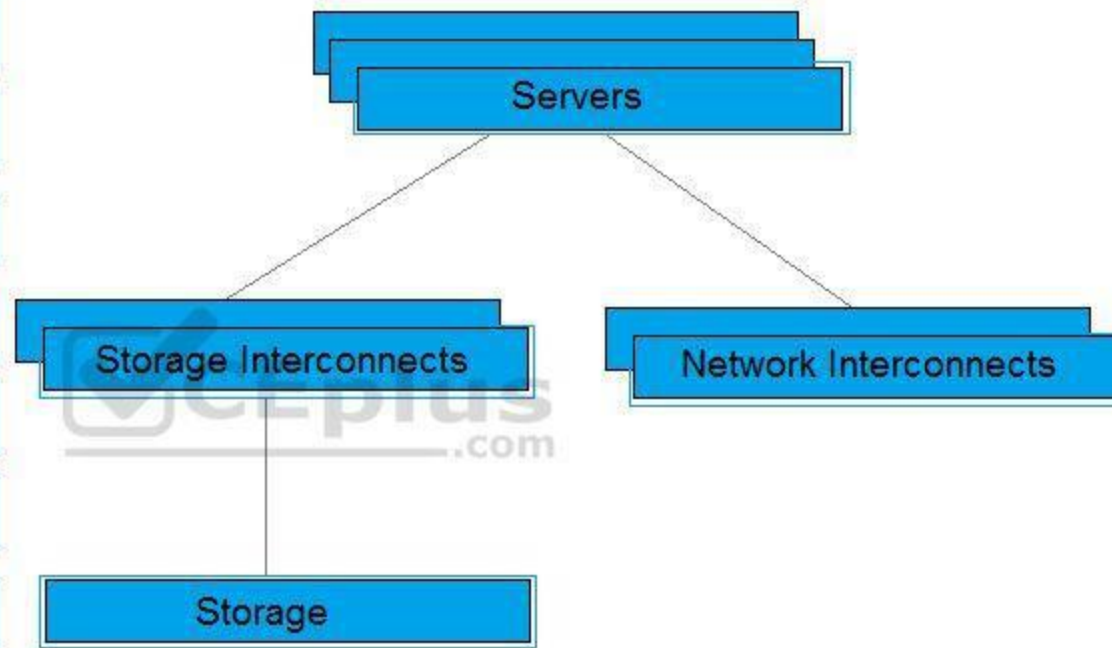
The customer prefers rack mounted equipment.

Identify the components that will meet the customer requirements, then drag the correct components on the left to their appropriate location in the environment on the right.

Select and Place:

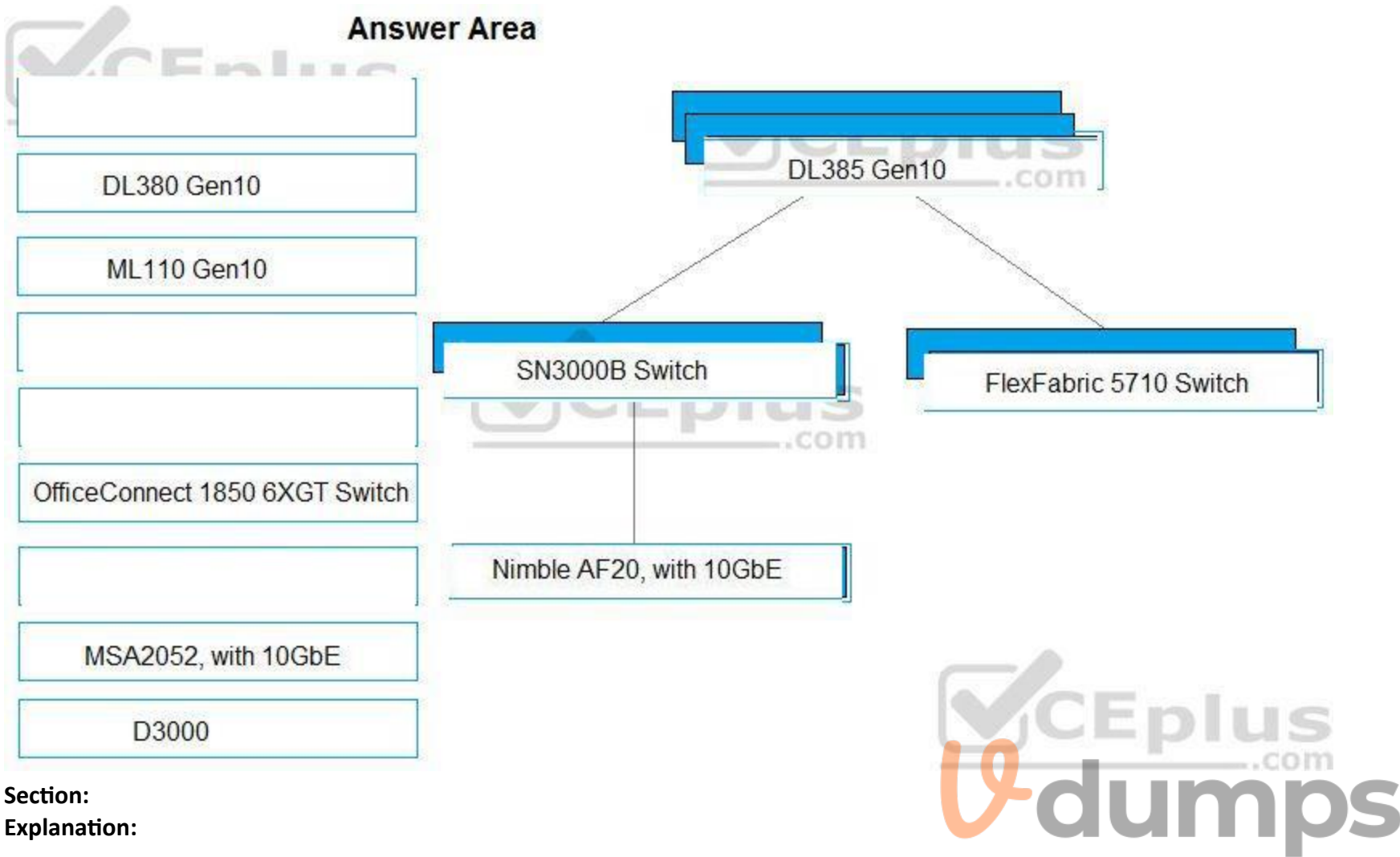
Answer Area

- DL385 Gen10
- DL380 Gen10
- ML110 Gen10
- SN3000B Switch
- FlexFabric 5710 Switch
- OfficeConnect 1850 6XGT Switch
- Nimble AF20, with 10GbE
- MSA2052, with 10GbE
- D3000



Correct Answer:





Section:

Explanation:

QUESTION 171

DRAG DROP

Match each HPE solution to its corresponding technology usage.

Select and Place:

Answer Area

HPE Solution	Usage
HPE OneView Advanced	single-pane management and monitoring for selected HPE devices
HPE ProLiant	industry-leading server platform for a broad range of workloads
HPE Simplivity	purpose-built hyperconverged solution

Correct Answer:

Answer Area
CEplus.com

HPE Solution

Usage

HPE OneView Advanced	single-pane management and monitoring for selected HPE devices
HPE ProLiant	industry-leading server platform for a broad range of workloads
HPE Simplivity	purpose-built hyperconverged solution

Section:
Explanation:

QUESTION 172

DRAG DROP

Match each characteristic to the correct storage type.

Select and Place:

Answer Area

DAS	<input type="checkbox"/>	Allows access to volumes over FCP and iSCSI protocols
NAS	<input type="checkbox"/>	Ability to share file-based storage across an Ethernet network
Storage Array	<input type="checkbox"/>	Allows shared block level access over a network
	<input type="checkbox"/>	JBOD storage connected to one server using SAS

Correct Answer:



Answer Area

DAS	Storage Array	Allows access to volumes over FCP and iSCSI protocols
NAS	NAS	Ability to share file-based storage across an Ethernet network
Storage Array	Storage Array	Allows shared block level access over a network
	DAS	JBOD storage connected to one server using SAS

Section:

Explanation:

Reference:

<https://www.excitingip.com/1358/jbod-just-a-bunch-of-disks/>

<https://www.enterprisestorageforum.com/storage-networking/nas-vs.-san-differences-and-use-cases.html>

QUESTION 173

DRAG DROP

Given the solution shown in the exhibit, which adapter is required in the server to facilitate connective in Block 1

Select and Place:

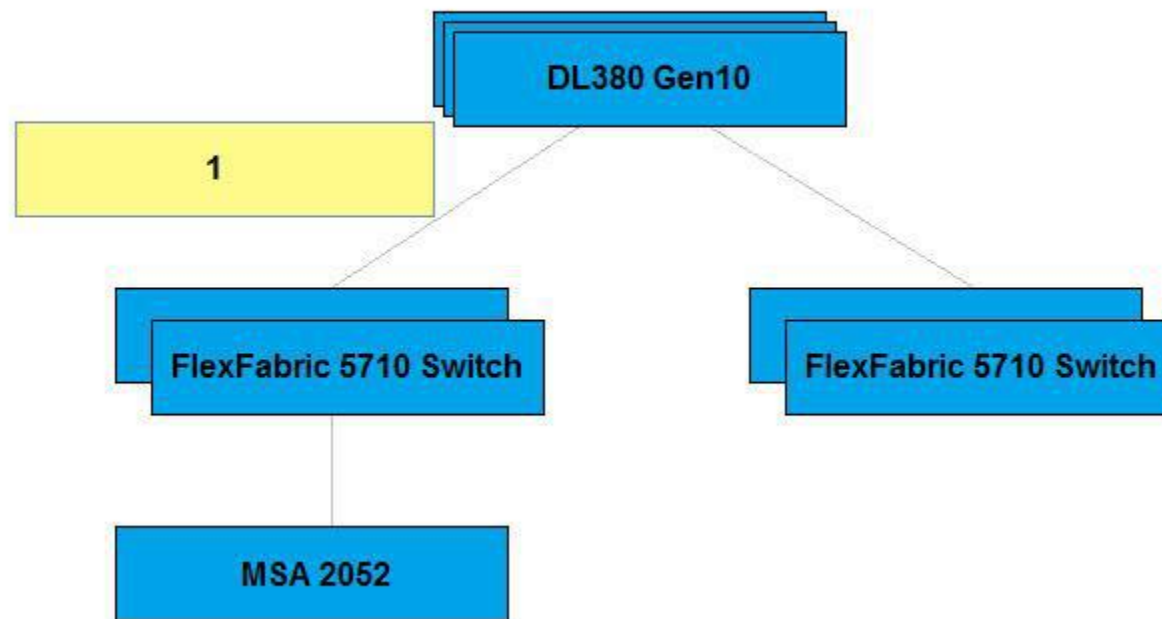
HPE StoreFabric SN1200E Host Bus Adapter

HPE Smart Array P824i-p MR Gen10 Controller

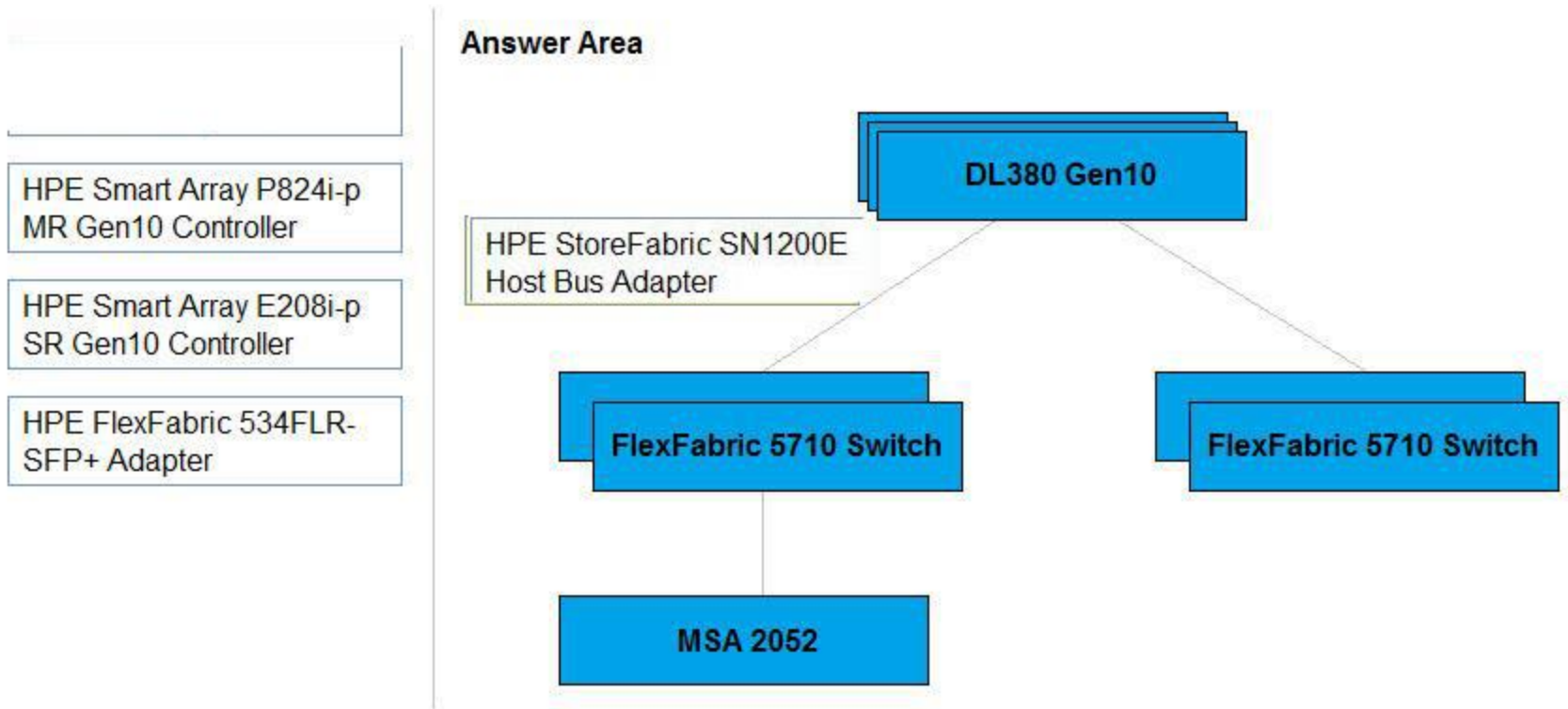
HPE Smart Array E208i-p SR Gen10 Controller

HPE FlexFabric 534FLR-SFP+ Adapter

Answer Area



Correct Answer:



Section:
Explanation:

QUESTION 174
DRAG DROP
Match the speed and protocol with the appropriate component.



Select and Place:

Component	Speed and Protocol
SFP+	12 Gb SAS
SFP28	16 Gb FC
Mini-SAS HD x4	25GbE

Correct Answer:

Component**Speed and Protocol**

Mini-SAS HD x4	12 Gb SAS
SFP+	16 Gb FC
SFP28	25GbE

Section:**Explanation:**

Reference: https://support.hpe.com/hpesc/public/docDisplay?docLocale=en_US&docId=emr_na-a00035594en_us

