

Nutanix.NCM-MCI-5.20.by.Ende.108q

Number: NCM-MCI-5.20  
Passing Score: 800  
Time Limit: 120  
File Version: 45.0

**Exam Code: NCM-MCI-5.20**  
**Exam Name: Nutanix Certified Master - Multicloud Infrastructure (NCM-MCI) 5.20**



## Exam A

### QUESTION 1

An administrator needs to determine current CPU usage across multiple clusters. Which method should the administrator use to generate this type of report?

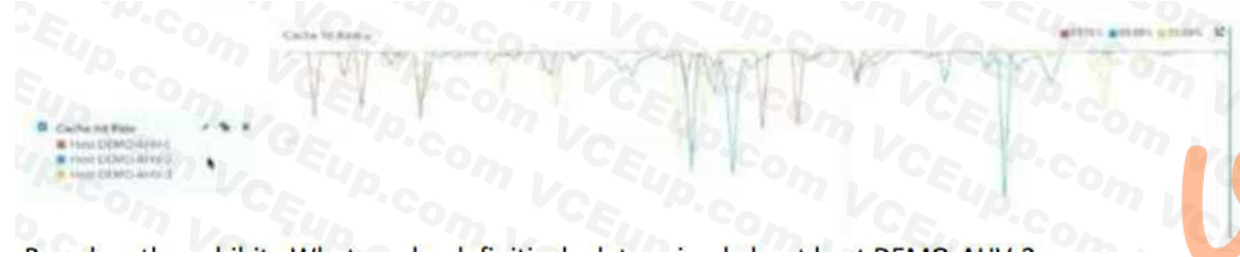
- A. Prism Central, Home, Manage Dashboards
- B. Prism Central, Explore, Hosts
- C. Prism Central, Home, Add Widgets
- D. Prism Central, Explore, Clusters

**Correct Answer: C**

**Section:**

### QUESTION 2

Refer to the exhibit.



Based on the exhibit, What can be definitively determined about host DEMO-AHV-2

- A. The System Memory is undersized
- B. It is hosting a higher Quantity of VMs than the other nodes
- C. it has performed more on disk lookups than the other nodes
- D. It's cache is undersized compared to the other nodes

**Correct Answer: C**

**Section:**

### QUESTION 3

An administrator has Created a new VM, but When accessing the console to monitor the guest install, the administrator sees the effect shown in the exhibit. What is the likely cause of this issue?

- A. The Wrong type of disk was specified
- B. the installation media was not mounted
- C. the nutanix virtIO driver was not mounted
- D. The boot order is incorrectly configured

**Correct Answer: B**

**Section:**

#### QUESTION 4

What is required to successfully live migrate a VM Between two AHV clusters?

- A. Stretch L2 networks across the primary and recovery sites
- B. Configure a Protection domain with synchronous replication
- C. Install and Configure the witness VM on a third Site.
- D. Both clusters must be managed by the same prism central

**Correct Answer: A**

**Section:**

#### QUESTION 5

Refer to the exhibit.



An administrator has configured Prism Central to email daily digest of alerts on a cluster, after a week, administrator notices that digests are not being received. What is the most likely cause of the issue?

- A. Nutanix support is not enabled as a recipient
- B. the SMTP server is not configured properly
- C. the tunnel connection has not been enabled
- D. the recipient address is not registered with Nutanix

**Correct Answer: B**

**Section:**

#### QUESTION 6

Which nutanix cluster component is responsible for triggering data movement events between SSD and HDD tiers?

- A. Genesis

- B. ILM
- C. Oplog
- D. Cassandra

**Correct Answer: B**

**Section:**

#### QUESTION 7

An administrator has a 4-node Nutanix cluster running on AHV. The administrator creates a new storage container and makes that all available to all hosts. Which storage protocol is used for Virtual Machines to access virtual disks on the storage container?

- A. NFS
- B. Fiber Channel
- C. iSCSI
- D. SMB/CIFS

**Correct Answer: C**

**Section:**

#### QUESTION 8

Which method can be used to migrate a VM configured for UEFI-boot from a Nutanix Hyper-V cluster to AHV?

- A. Live Migration
- B. Nutanix Move
- C. Cloud Connect
- D. Storage vMotion

**Correct Answer: B**

**Section:**

#### QUESTION 9

In an AHV cluster, an administrator needs to enable an application to share a disk b group but needs to enable the VMs to see the volume group. How should the administrator accomplish this task?

- A. Configure a virtual disk on each VM with identical attributes in the storage dashboard.
- B. Add the volume group to the VM using the update link from the VM dashboard.
- C. Add a disk to one VM and enable read/write on it from the other VM.
- D. Create a shared folder for the VMs using Nutanix Files.

**Correct Answer: B**

**Section:**

#### QUESTION 10

An administrator needs to take a single node down for maintenance. Which two steps should the administrator take? (Choose two)

- A. Make sure Auto Evacuation is enabled
- B. Shut down or live migrate all VMs off of the node.



- C. Verify the data resiliency status of the cluster.
- D. Reclaim the licenses to the Nutanix Support Portal.

**Correct Answer: B, C**

**Section:**

#### QUESTION 11

An administrator receives reports that VDI desktop performance in an 8-node Nutanix VDI environment is poor. Opening applications takes between 1 and 2 minutes.

When investigating the issue, the following conditions are found:

- Cluster memory utilization: 80%
- Cluster SSD utilization: 70%
- Average VM CPU Wait Time: 11%
- CVM CPU utilization: 75%

Which action should be taken to improve VDI performance?

- A. Increase the amount of SSD storage in the cluster.
- B. Add memory to the nodes in the cluster.
- C. Add CPU resources to the cluster.
- D. Increase the number of vCPU cores allocated to the CVM.

**Correct Answer: C**

**Section:**

#### QUESTION 12

An administrator has a custom backup application that requires a 2TB disk and runs in Windows.

Throughput is considerably lower than expected.

The application was installed on a VM with the following configuration:

- Four vCPUs with one core/vCPU
- 4GB of Memory
- One 50GB vDisk for the Windows installation
- One 2TB vDisk for the application

What is the recommended configuration change to improve throughput?

- A. Increase the number of cores per vCPU
- B. Increase the vCPUs assigned to the VM
- C. Span the 2TB disk across four vDisks
- D. Add 4GB of memory to the VM

**Correct Answer: C**

**Section:**

#### QUESTION 13

A customer recently set up Async Replication between Site A and Site B. The customer wants to conduct a planned failover and clicks Activate on Site B.

The customer then runs the following command on Site A: `ncli pd deactivate_and__destroy_vms name=<protection_domain_name>` What does this do to the customer environment?

- A. VMs get deleted from Site B. and the protection domain is now Active.
- B. VMs are powered off on Site A and must be manually powered on at Site B.
- C. VMs get deleted from Site A and the protection domain is no longer active.



D. Customer must then manually power off VMs at Site A and power them on at Site B.

**Correct Answer: C**

**Section:**

**Explanation:**

[https://portal.nutanix.com/page/documents/details?targetId=Web-Console-Guide-Prism-v5\\_10:wcprotection-domain-failback-disaster.html](https://portal.nutanix.com/page/documents/details?targetId=Web-Console-Guide-Prism-v5_10:wcprotection-domain-failback-disaster.html)

```
<ncli> pd deactivate_and_destroy_vms name=DataProtection
Use this command only when you are preparing to do a failback from an unplanned
failover. Executing this command will delete the VMs from this site and might ca
use data loss when used incorrectly. Are you sure (y/N)? Error: Mode change for
protection domain DataProtection failed with error: Cannot deactivate protection domain DataProtection because 1 VM(s) (POC_DEMO) are Powered ON
```

#### QUESTION 14

An administrator needs to forecast infrastructure requirements for a new program and its associated applications. Prior to the projected start of the new program, all existing applications will be decommissioned. How should the administrator perform this task?

- A. Check the Disregard Existing Workloads radio button in the Runway scenario.
- B. Check the Disregard Existing Nodes radio button in the Runway scenario.
- C. Add up the recovered workloads and manually remove from the Runway configuration.
- D. Power down the workloads during a maintenance window and run the Capacity Runway.

**Correct Answer: A**

**Section:**

#### QUESTION 15

A customer has a primary datacenter with 12 Nutanix blocks distributed across three racks. The customer wants to achieve the most resiliency possible. They also have a datacenter in a branch office that is 400 kilometers away from the primary datacenter.

Which two solutions should be used? (Choose two.)

- A. Time Stream to a remote site
- B. Async DR to a remote site
- C. Rack awareness
- D. Block awareness

**Correct Answer: B, C**

**Section:**

#### QUESTION 16

An administrator inherits a new Nutanix environment and logs in to a CVM to check the network configuration. The configuration is as follows:



```
nutanix@NTNX-16xxxxxxxxx5-A-CVM:xx.xx.xx.76:~$ manage_ova show_uplinks
Bridge: br0
Bond: br0-up
bond_mode: active-backup
interfaces: eth3 eth2
lacp: off
lacp-fallback: True
lacp_speed: slow
Bridge: br1
Bond: eth0
bond_mode: active-backup
interfaces: eth0
lacp: off
lacp-fallback: false
lacp_speed: slow
Bridge: br2
Bridge: br5

nutanix@NTNX-16xxxxxxxxx5-A-CVM:xx.xx.xx.76:~$ manage_ova show_interfaces
name  mode  link  speed
eth0  1000  True  1000
eth1  1000  True  1000
eth2  10000 True  10000
eth3  10000 True  10000
:
```

Which action should the administrator take to improve network performance?

- A. Configure VLAN tagging both on br0 and br1 and their physical interfaces.
- B. Add eth0 and eth1 to the br0-up bond
- C. Configure balance-sib or balance-tcp mode for br0-up if switch configuration allows
- D. Remove one 10 Gbs interface from br0-up to make sure all 10 Gbs can be used.

**Correct Answer: C**

**Section:**

**QUESTION 17**

An administrator is concerned that Prism will be inaccessible if Active Directory is unable to process logins. Which method should the administrator use to access the cluster in the event of this type of outage?

- A. Manage the cluster by using the "nutanix" user on the Prism leader CVM
- B. Create and use an emergency local account on the cluster
- C. Deploy an Active Directory server locally on the cluster
- D. Manage the cluster remotely by downloading ncli to a remote workstation

**Correct Answer: B**

**Section:**

**QUESTION 18**

A customer has NearSync configured. When the administrator tries to restore a snapshot from 3 minutes ago, it is not available. The snapshots are happening at 15-minute intervals instead of at the 5-minute configured interval. When the protection domain was initially set up, the snapshots were happening at the expected 5-minute interval.

What should the customer do to enable the snapshots to happen at the expected interval?

- A. Utilize Metro Availability to meet this requirement



- B. Change the protection domain to use Async DR
- C. Fix a connectivity issue because the protection domain reverted to Async
- D. Configure the protection domain to take snapshots on 15-minute intervals

**Correct Answer: C**

**Section:**

**QUESTION 19**

An administrator deploys Exchange on a Nutanix cluster. The administrator creates two containers with RF2 configuration:

- One container for Exchange
- One container for the other VMs

The Exchange VM is experiencing I/O performance issues.

Which changes to Storage Optimization should be used on the Exchange container to enhance I/O performance?

- A. No data reduction
- B. Post process Deduplication only
- C. Inline compression and EC-X
- D. Inline compression and Deduplication

**Correct Answer: A**

**Section:**

**QUESTION 20**

While creating an image placement policy on the organizations AOS 5.15-based Nutanix cluster, the administrator wants to ensure there are no restrictions on using the selected images on clusters outside of the identified set.

What type of Policy Enforcement must the administrator choose?

- A. Soft
- B. Internal
- C. Hard
- D. External

**Correct Answer: A**

**Section:**

**Explanation:**



**Policy Enforcement**

Soft enforcement will allow you to manually place images on other clusters if needed. Hard enforcement will ensure these images are only placed on the selected clusters.

Enforcement

Soft

Cancel Save

**QUESTION 21**

An alert about RX errors on eth2 on a node is reported in the cluster. The administrator logs in to the CVM in question, checks the ping\_\* files in the data/logs/syststats folder, and notices intermittent ping loss. The node in question has the following network configuration:

```
nutanix@NTNX-16xxxxxxxx5-A-CVM:xx.xx.xx.76:~$ manage_ovs show_uplinks
Bridge: br0
Bond: br0-up
bond_mode: active-backup
interfaces: eth3 eth2
lacp: off
lacp-fallback: True
lacp_speed: slow
Bridge: br1
Bond: eth0
bond_mode: active-backup
[interfaces: eth0
lacp: off
lacp-fallback: True
lacp_speed: slow
Bridge: br1
Bond: eth0
bond_mode: active-backup
interfaces: eth0
lacp: off
lacp-fallback: false
lacp_speed: slow
Bridge: br2
Bridge: br5
nutanix@NTNX-16xxxxxxxx5-A-CVM:xx.xx.xx.76:~$ manage_ovs show_interfaces
name mode link speed
eth0 1000 True 1000
eth1 1000 True 1000
eth2 10000 True 10000
eth3 10000 True 10000
nutanix@NTNX-16xxxxxxxx5-A-CVM:xx.xx.xx.76:~$
```



Which action should be used to troubleshoot without disrupting the VMs running on this node?

- A. Replace the cable from eth2 to the switch

- B. Remove eth3 from br0-up and monitor for new alerts
- C. Check the port on the switch side for any errors
- D. Enable balance-s1b on br0-up and monitor if a problem persists

**Correct Answer: C**

**Section:**

**QUESTION 22**

An administrator protected a DB VM running on a Nutanix cluster with NearSync Replication, which schedules to repeat every 15 minutes ? to a second site. The daily change rate is low. During nightly backups, the replication window is missed due to write volume.

Which two options describe the expected behavior? (Choose two.)

- A. NearSync stops working and fails over to the remote site.
- B. Protection Domain transitions back to the hourly schedule.
- C. The Administrator needs to re-enable it manually.
- D. The system continuously tries to get to the NearSync schedule.

**Correct Answer: A, D**

**Section:**

**QUESTION 23**

An administrator is deploying a three-tier application on a Nutanix Enterprise Cloud consisting of web, application, and database VMs. Traffic between the servers must be limited to specific services/ports. There is an application layer firewall VM deployed on one host in the cluster.

In which way should the administrator meet this requirement?

- A. Create a network for each type of VM, and use policy-based routing to control the traffic flow
- B. Configure a security policy and service chain redirecting the server traffic through the firewall
- C. Separate the web, application and database VMs on to dedicated VLANs
- D. Categorize the VMs in Prism Central and utilize Flow to set a security policy

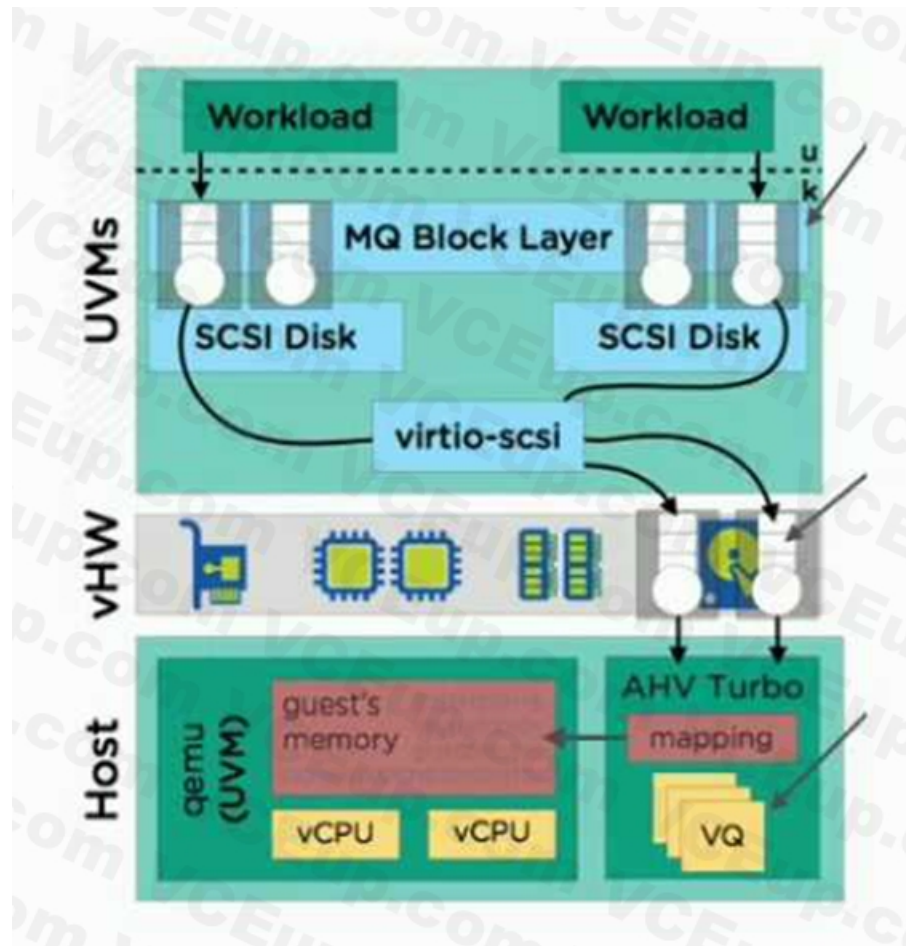
**Correct Answer: D**

**Section:**

**QUESTION 24**

Refer to the exhibit.





An administrator has an existing cluster and needs to improve performance using AHV Turbo. Which two items are required to achieve even greater performance? (Choose two.)

- A. Workloads are multi-threaded.
- B. VMs have one vCPU configured.
- C. VMs have multi-queue disabled.
- D. VMs have more than one vCPU.

**Correct Answer: A, D**

**Section:**

**Explanation:**

**AHV Turbo technology recommendations**

AHV Turbo technology is transparent to the VMs, but you can achieve even greater performance if:

- The VM has multiqueue enabled. Consult your Linux distribution documentation to make sure that the guest operating system fully supports multiqueue before you enable it, as well as for instructions on how to enable it. One common method for enabling multiqueue is to add one of the following lines to the kernel command line.

```
scsi_mod.use_blk_mq=y
```

```
scsi_mod.use_blk_mq=1
```

- You have installed virtIO 1.1.2 or newer for Windows-based VMs. No additional configuration is required.
- The VM has more than one vCPU.
- The workloads are multi-threaded.

**QUESTION 25**

An administrator is performing a set of routine checks and notes that Prism Central is running with 4 vCPUs and 21 GB RAM. The organizations environment is based on two Nutanix clusters with 170 VMs plus a Legacy vSphere infrastructure. No manual changes have been done on Prism Central VM.

Which configuration justifies the current Prism Central configuration?

- A. Nutanix Move is running on Prism Central to import VMs from the Legacy Cluster.
- B. Prism Central was installed for Large Deployment environments.
- C. Prism Central is running on the legacy duster and requires more RAM.
- D. Nutanix Leap and Nutanix Flow have been enabled on Prism Central

**Correct Answer: D**

**Section:**

**QUESTION 26**

An administrator finds that home shares cannot be configured in a new Files 3.5 deployment. Why is this happening?

- A. NFS default access is set to Read Only.
- B. Multi-protocol access is not configured.
- C. Access Based Enumeration is not enabled.
- D. The system is deployed as a single FSVM.

**Correct Answer: D**

**Section:**

**Explanation:**

A distributed (home) share is the repository for the user's personal files, and a standard share is the repository shared by a group. A home share is distributed at the top-level directories while standard shares are located on a single file server VM (FSVM). Users have the following permissions in distributed and standard shares.

**Note:**  
 • Distributed shares are only available on deployments of three or more FSVMs.



**QUESTION 27**

Refer to the exhibit.



A Microsoft SQL 2016 deployment is shown in the exhibit. The administrator receives user reports that database queries take too long to return. Which optimization should be made to this configuration to improve performance?

- A. Combine both of the OS and SQL Binaries disks
- B. Add a second SCSI controller for the Database.
- C. TempDB, and Logs disk Separate the Database. TempDB, and Logs onto their own disks
- D. Configure the VM to use a PCI disk controller

**Correct Answer: C**

**Section:**

**QUESTION 28**

An administrator of a Nutanix Enterprise Cloud has microsegmentation enabled and a firewall VM installed. The security team notifies the administrator that one of the VMs hosted in the environment has been exhibiting suspect network activity. The administrator wants to isolate the VM from the production network, but must still be able to access it to perform diagnostics. What should the administrator do to meet the requirement?

- A. Disable the vNIC on the affected VM
- B. Quarantine the VM using the Forensic Method
- C. Create a firewall rule that blocks VM traffic but permits diagnostic access
- D. Create a security policy with a service chain directing that VMs traffic to the firewall VM

**Correct Answer: B**

**Section:**

**Explanation:**

Ref <https://portal.nutanix.com/page/documents/kbs/details?targetId=kA00e000000LleICAG>

Nutanix flow – Quarantine security policy

Quarantine policy in Nutanix flow is predefined and build into the product. You cannot modify it or change it or create a new quarantine policy.

Quarantine policy in Nutanix Flow has two methods:

- Forensic – VM cannot talk to anything in the network, except to the specific forensic tools configured in the policy
- Strict – VM cannot talk to anything in the network

#### QUESTION 29

An administrator migrates a VM onto a new Nutanix cluster. After the migration, the administrator observes the following conditions:

- Cluster memory utilization: 64%
- Cluster CPU utilization: 19%
- Cluster storage utilization: 32%
- Average VM CPU utilization: 25%
- Average VM CPU ready%: 24%
- Average VM memory utilization: 60%

Which two changes should the administrator make to improve VM performance? (Choose two.)

- A. Add more memory to the VMs.
- B. Reduce the number of vCPUs assigned to VMs.
- C. Replace high core count CPUs with high clock rate CPUs. (also can be but is physical invas)
- D. Reduce the number of VMs on the hosts.

**Correct Answer: B, D**

**Section:**

#### QUESTION 30

An administrator is supporting a business critical environment and deploys metro availability to achieve a zero data loss configuration. The two clusters are connected by a 1GbE connection. A new workload is going to be deployed to this cluster. This workload requires a sustained 150MB/S of write throughput and 20MB/s of read throughput.

Which change must be made to deploy the workload successfully on this cluster?

- A. The bandwidth must be increased to support this workload.
- B. The workload must be configured to read at greater than 12.5MB/S.
- C. The replication frequency must be less than 60 minutes.

D. Zero data loss nearsync must be used to support this workload.

**Correct Answer: A**

**Section:**

**Explanation:**

Reference:

### 6.3. Nutanix Recommendations

- Redundant remote replication links between clusters.
- Similar performance characteristics between the clusters used for Metro Availability:
  - Similar number of nodes.
  - Similar server memory configuration.
  - Similarly sized oplog.
  - Similar drive count for oplog draining to the extent store.
- Adequate bandwidth to support peak write workloads.

#### QUESTION 31

A systems administrator needs to add more VMs to their Nutanix cluster.

Which two actions should the administrator perform to determine if the current cluster can accommodate the new VMs? (Choose two.)

- A. Perform an Inventory with Life Cycle Management.
- B. Determine utilization with Cluster Runway.
- C. Enable Deduplication and Erasure Coding.
- D. Utilize Optimize Resources for VM efficiency.

**Correct Answer: B, D**

**Section:**

**Explanation:**

Reference:

#### ONE-CLICK PLANNING

Prism includes a powerful application and VM-centric capacity planning engine that is powered by Nutanix's patent-pending X-Fit technology.

- **Capacity Behavior Analytics:** Predictive analysis of capacity usage and trends based on workload behavior enabling pay-as-you-grow scaling.
- **Capacity Optimization Advisor:** Infrastructure optimization recommendations to improve efficiency and performance based on VM behavioral analysis.
- **Just In Time Forecast:** Capacity expansion forecast to meet future workload growth.

#### QUESTION 32

A guest VM is reported to have poor storage performance. It has an I/O profile of 80% read, 20% write, and the HDDs form more than 50% of the read source.

What should an administrator do to resolve this issue?

- A. Increase SSD capacity
- B. Increase the OPLOG
- C. Increase the write cache



D. Use HDDs with higher RPM

**Correct Answer: A**

**Section:**

**Explanation:**

Reference: <https://portal.nutanix.com/page/documents/solutions/details?targetId=BP-2126-SAS-on-Nutanix:BP-2126-SAS-on-Nutanix>

### QUESTION 33

An administrator receives an alert in Prism indicating that interface eth2, on an AHV host is receiving many CRC errors. After logging into the problematic host, the following command is run to show the indicated output:

```
[root@AHV-Host ~]# ethtool -S eth2 | grep error
rx_errors: 0
tx_errors: 0
rx_over_errors: 0
rx_crc_errors: 478593
rx_frame_errors: 0
rx_fifo_errors: 0
rx_missed_errors: 0
tx_aborted_errors: 0
tx_carrier_errors: 0
tx_fifo_errors: 0
tx_heartbeat_errors: 0
rx_long_length_errors: 0
rx_short_length_errors: 0
rx_csum_offload_errors: 0
```

 Vdumps

What is causing this issue?

- A. Incorrect link speeds on the switch
- B. The interface is incorrectly configured with Jumbo Frames
- C. A misconfigured bond
- D. A physical layer network problem

**Correct Answer: B**

**Section:**

**Explanation:**

Reference: rx\_crc\_errors are caused either by faults in layer 1 (in the past, we have seen failed twinax cables and incorrect types of fibre being used), or issues with jumbo frames on the network. In an environment with 10 Gig switches that use cut-through forwarding (Cisco Nexus, Arista, Cisco devices using IOS default to Store and Forward switching), any packets that come into the switch will get forwarded out the destination interface once the switch has read the destination MAC address. If that packet has an MTU over what is configured on the interface, it will cut off the packet at the designated MTU, causing the server to receive a malformed packet, which will throw a CRC error.

If you have a layer 1 issue, you will see rx\_crc\_errors, not on all but one or two nodes.

### QUESTION 34

An administrator deletes a large amount of data from a Volume Group presented to a Linux VM. The administrator notices that the deleted data has not been reclaimed as usable storage.

What action should be taken to reclaim the storage capacity?

- A. Shrink the Volume Group that is associated with the Linux VM
- B. Unmount the Volume Group and then Remount the Volume Group
- C. Enable the unman operation on the Linux VM
- D. Run Defrag on the Linux VM

**Correct Answer: B**

**Section:**

**Explanation:**

<https://next.nutanix.com/how-it-works-22/vm-capacity-and-prism-capacity-are-different-33134>

#### QUESTION 35

A customer has two mission-critical applications and needs to have them backed up to a remote location. The remote location is connected using a leased line and has an average latency of 7 ms. Which Nutanix technology will provide the shortest RPO possible?

- A. NearSync
- B. Leap
- C. Metro Availability
- D. Asyn&DR

**Correct Answer: B**

**Section:**

**Explanation:**

Reference: [https://portal.nutanix.com/page/documents/solutions/details?targetId=BP-2005\\_Data\\_Protection:BP-2005\\_Data\\_Protection](https://portal.nutanix.com/page/documents/solutions/details?targetId=BP-2005_Data_Protection:BP-2005_Data_Protection)

#### QUESTION 36

An administrator needs to deploy an application with a large amount of data connected via Nutanix Volumes. Which two actions should the administrator take when designing the Volume Group? (Choose two.)

- A. Use multiple subnets for iSCSI traffic
- B. Enable RSS (Receive Side Scaling)
- C. Enable thick provisioning on the Volume Group(s)
- D. Distribute workload across multiple virtual disks

**Correct Answer: B, D**

**Section:**

**Explanation:**



## 9. Recommendations

- Use the Data Services IP method for external host connectivity to VGs.
- For backward compatibility, you can upgrade existing environments nondisruptively and continue to use MPIO for load balancing and path resiliency.
- For security, use at least one-way CHAP.
- Leave ADS enabled. (Enabled is the default setting.)
- Use multiple disks rather than a single large disk for an application. Consider using a minimum of one disk per Nutanix node to distribute the workload across all nodes in a cluster. Multiple disks per Nutanix node may also improve an application's performance.
- For performance-intensive environments, we recommend using between four and eight disks per CVM for a given workload.
- Use dedicated network interfaces for iSCSI traffic in your hosts.
- Place hosts that use Nutanix Volumes on the same subnet as the iSCSI data services IP.
- Use a single subnet (broadcast domain) for iSCSI traffic. Avoid routing between the client initiators and CVM targets.
- Receive-side scaling (RSS) allows the system to use multiple CPUs for network activity. With RSS enabled, multiple CPU cores process network traffic, preventing a single CPU core from becoming a bottleneck. Enabling RSS within hosts can be beneficial for heavy iSCSI workloads. For VMs running in ESXi environments, RSS requires VMXNET3 VNICs. For Hyper-V environments, enable VMQ to take full advantage of Virtual RSS.

### QUESTION 37

Microsegmentation was recently enabled in a Nutanix environment. The administrator wants to leverage Prism Central to create a policy that will block all traffic, regardless of direction, between two groups of VMs identified by their category.

Which policy should be used to meet this requirement?

- A. A Quarantine Policy
- B. An Isolation Environment Policy
- C. An Application Security Policy
- D. A Whitehst-Based Policy

**Correct Answer: B**

**Section:**

**Explanation:**



### QUESTION 38

An administrator configures authentication in Prism Central (PC) for the NTN-Admins group. Users report that they are unable to log in. The administrator confirms that the Active Directory (AD) settings in PC are correct. Which condition could result in this behavior?

- A. A role mapping needs to be associated with the AD group.

- B. The users must be added to the Domain Admins AD group.
- C. The Local authentication type must also be selected in PC.
- D. A client chap certificate must also be added in PC.

**Correct Answer: B**

**Section:**

**Explanation:**

Reference: [https://portal.nutanix.com/page/documents/details?targetId=Prism-Central-Guide-Prism-v5\\_10:mul-security-role-permissions-pc-t.html](https://portal.nutanix.com/page/documents/details?targetId=Prism-Central-Guide-Prism-v5_10:mul-security-role-permissions-pc-t.html)

#### QUESTION 39

An organizations Nutanix Cluster is based on VMware vSphere. The cluster is configured to download software updates automatically. The administration needs to verify and eventually upgrade VMware hypervisor via Prism UI.

After logging in to Prism, the administrator receives the message shown:

No available versions for upgrade

What is causing the current state?

- A. VMware support has expired, so downloads are not available.
- B. vSphere binaries need to be manually uploaded.
- C. The environment is running the latest vSphere version, so no update is required.
- D. The cluster is unable to connect to release-api.nutanix-ccm:8D.

**Correct Answer: C**

**Section:**

**Explanation:**

Reference: <https://portal.nutanix.com/page/documents/details?targetId=Web-Console-Guide-Prism-v510:upg-hypervisor-upgrade-esxi-c.html>

#### QUESTION 40

An administrator receives an error indicating that the CVMs in the cluster are not syncing to any NTP servers. An investigation of the issue finds:

- The NTP servers are configured in Prism
- The time on all CVMs is the same
- Both the CVMs and AHV hosts are configured for the UTC time zone

Which two steps can be taken to troubleshoot this issue? (Choose two.)

- A. Confirm that the NTP servers are reachable from the CVMs.
- B. Restart genesis on all CVMs.
- C. On a CVM. run the command `a Hash ntpq -pn`.
- D. Restart the chronos service on all CVMs.

**Correct Answer: A, C**

**Section:**

**Explanation:**

Reference:

[https://portal.nutanix.com/page/documents/kbs/details?targetId=kA032000000bmjeCAA#Review\\_ntpq](https://portal.nutanix.com/page/documents/kbs/details?targetId=kA032000000bmjeCAA#Review_ntpq)

#### QUESTION 41

An administrator is implementing a VDI solution. The workload will be a series of persistent desktops in a dedicated storage container within a four-node cluster. Storage optimizations should be set on the dedicated storage container to give optimal performance including during a node failure event.

Which storage optimizations should the administrator set to meet the requirements?

- A. Compression, Deduplication, and Erasure Coding
- B. Deduplication and Erasure Coding
- C. Compression and Deduplication
- D. Compression only

**Correct Answer: B**

**Section:**

**Explanation:**

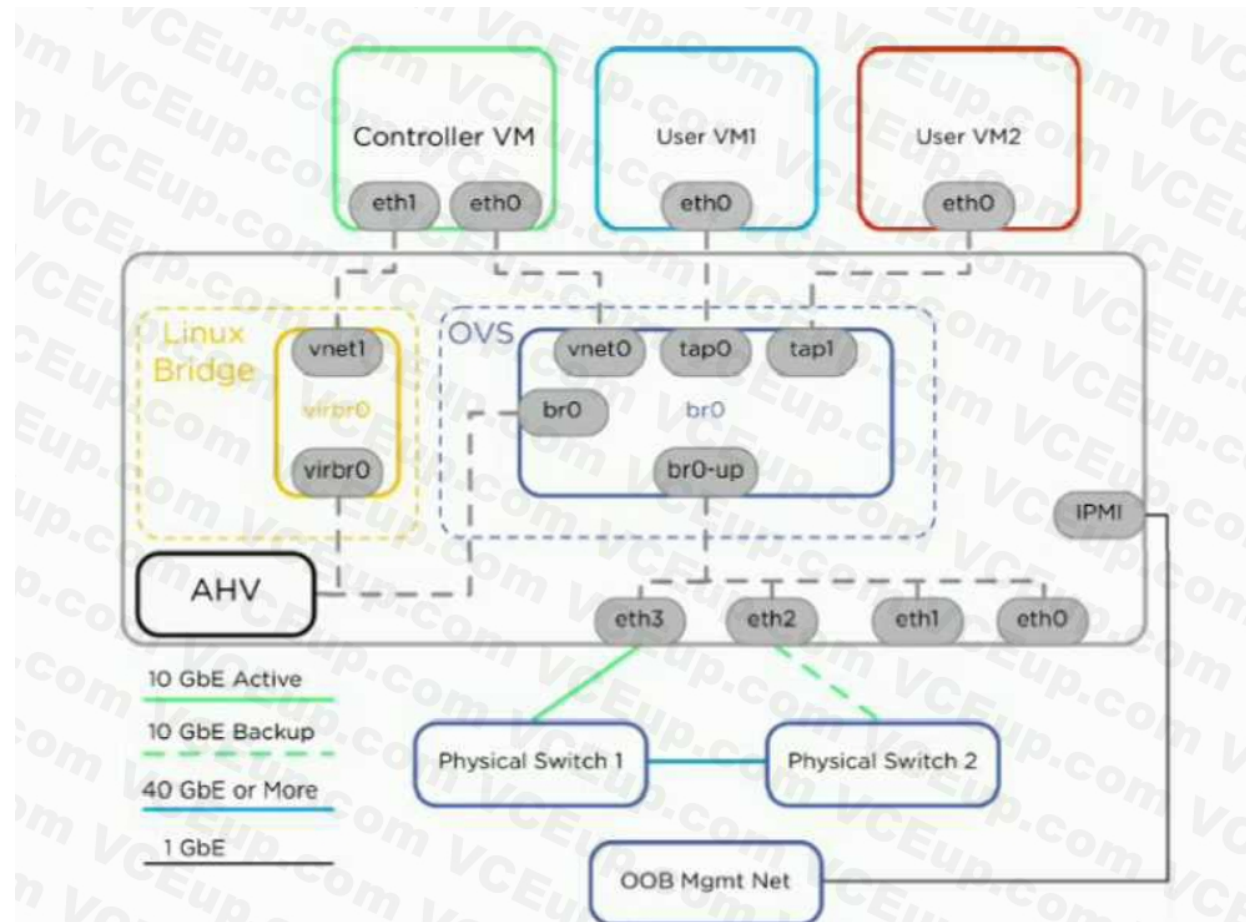
Reference:

Use Case	Example	Recommendation
User data	File server, user data vDisk	Post-process compression with 4–6 hour delay
VDI	VMware View, Citrix XenDesktop	VCAI snapshots, linked clones, full clones with inline deduplication No compression
Data processing	Hadoop, data analytics, data warehousing	Inline Compression
Transactional applications	Exchange, Active Directory, SQL Server, Oracle	Native application compression where available, otherwise inline compression
Archive or backup	Handy Backup, SyncBack	Inline compression unless data is already compressed



**QUESTION 42**

Refer to the exhibit.



A Nutanix host is connected as shown in the exhibit with br0-up set to active/backup. Physical Switch 1 experiences a power outage causing br0-up to failover to using eth2. The CVM and host become inaccessible. User VMs restart on other hosts in the cluster, which causes a disruption to those VMs. Which configuration issue likely caused this outage?

- A. Bridge br0-up should be configured to use balance-tcp rather than active/backup.
- B. The CVM should have eth1 connected to the OVS.
- C. The upstream port for eth2 is missing a VLAN.
- D. The user VMs only have one NIC

**Correct Answer: C**

**Section:**

**Explanation:**

Reference: [https://portal.nutanix.com/page/documents/solutions/details?targetId=BP-2071-AHVNetworking:top\\_ahv\\_networking\\_best\\_practices.html](https://portal.nutanix.com/page/documents/solutions/details?targetId=BP-2071-AHVNetworking:top_ahv_networking_best_practices.html)

**QUESTION 43**

An administrator is configuring software only. Data-at-Rest Encryption on their Nutanix cluster. They are planning to deploy a third-party key management server (KMS). Where should this server be hosted?

- A. As a single VM on the Nutanix cluster
- B. On hardware external to the Nutanix duster
- C. As a clustered VM setup on the Nutanix cluster
- D. As a single VM deployed on the host that contains the Prism leader CVM

**Correct Answer: B**

**Section:**

#### Explanation:

Nutanix supports any KMIP 1.0 compliant key management system, but others have not yet been certified. The key management system can even be a VM running on another Nutanix cluster, and since Nutanix leverage hardware encryption using the self-encrypting drives the performance impact on the cluster is minimal.



Nutanix clusters do not come with data-at-rest encryption turned on by default and it has to be turned on by the administrator using the PRISM UI or nCLI. The PRISM UI provides a simple and easy way to management Key Management Device details and Certificate Authorities.

#### QUESTION 44

An administrator recently added VLAN 205 CRM in Prism Element. The workloads attached to the associated NICs are unable to establish network connectivity. Which Layer 2 protocol allows the administrator to troubleshoot this issue from Prism Element?

- A. HDLC
- B. SUP
- C. LACP
- D. LLDP

**Correct Answer: D**

**Section:**

**Explanation:**

**Switch information on Nutanix AHV**

Managing and troubleshooting virtual guests network connectivity issues is quite difficult, if you do not have right information about upstream switches. It is crucial to understand how Nutanix hosts are connected, hosting switch name, location, switch port number. Nutanix AHV leverages OVS (Open VSwitch) to manage AHV hosts and Guest OS network connectivity. OVS can use LLDP (Link Layer Discovery Protocol) to pull information from physical switches. LLDP is automatically enabled on Nutanix AHV. To have LLDP discovery working you have to enable it on the network port switches as well. Nutanix AHV will automatically pull switch information and present it in the Prism.

In Prism Element, on main dashboard click on **Home -> Network**

#### QUESTION 45

An administrator is deploying an application that requires maximum I/O throughput for scratch data. The administrator is concerned that the throughput requirement is greater than what can be provided by a single cluster

node.

What should the administrator do to meet this requirement?

- A. Create a volume group with several virtual disks and attach to the VM
- B. Create a volume group with one virtual disk attached to the VM
- C. Create a virtual disk attached to the VM's PCI interface
- D. Create several virtual disks attached to the VM's virtual SCSI controller

**Correct Answer: A**

**Section:**

**Explanation:**

Reference: <https://next.nutanix.com/community-blog-40/scaling-up-vm-storage-performance-onahv-volume-group-load-balancer-28063>

#### QUESTION 46

An administrator is deploying several new application VMs to a Nutanix cluster. The application is very transactional with a 28/72 random, read/write ratio. What should the administrator do?

- A. Add a minimum of four SSDs to each node to ensure all writes go to the SSDs.
- B. Add a minimum of four virtual disks to each VM, and aggregate them on guest OS level.
- C. Add one large SSD to each node and enable Flash Mode for the VMs.
- D. Add one large virtual disk to each VM. and use it for all application data.

**Correct Answer: B**

**Section:**

**Explanation:**

Reference: <https://next.nutanix.com/server-virtualization-27/iops-latency-issue-1168>

>Multiple vdisks should be attached (they can be unified with LVM for example) to get more performance from VM's, as Nutanix OS limiting oplog size per vdisk (to avoid "noisy neighbour" problem)



#### QUESTION 47

An administrator needs to relocate an AHV cluster to a new datacenter during a maintenance window. The cluster will use the same IPs in the new datacenter. Which two steps should be taken to prepare for this task? (Choose two.)

- A. Stop all Nutanix Files clusters
- B. Relocate the linked LDAP servers
- C. Shut down all user VMs in the cluster
- D. Reconfigure IPMI for the new datacenter

**Correct Answer: A, C**

**Section:**

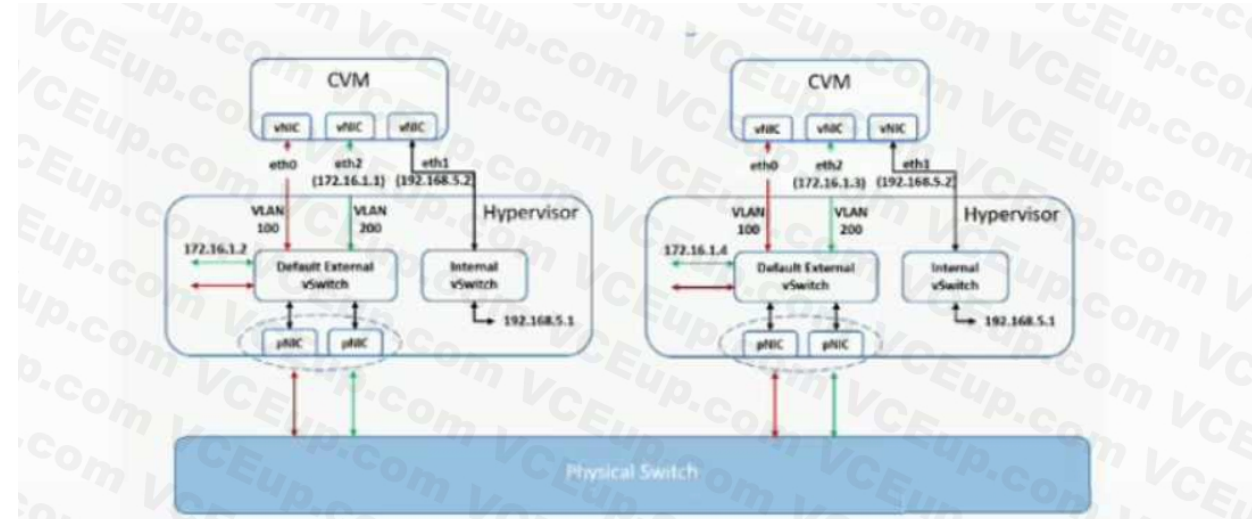
**Explanation:**

Reference: <https://next.nutanix.com/installation-configuration-23/physical-relocation-of-nutanixclusters-38403>

- Disable any "Protection Domains" in the cluster and make sure there is no ongoing replication occurring.
- Make sure no "Fail" message appears when performing the NCC health check on the cluster.
- Power off all the VMs running in the cluster.
- Stop "Files" (previously AFS) if you are using it in the cluster.

#### QUESTION 48

Refer to the exhibit.



What is the purpose of eth2 on the CVMs?

- RDMA Network Segmentation
- iSCSI connectivity
- Remote site connectivity
- Network Segmentation

**Correct Answer: D**

**Section:**

**Explanation:**

Reference: <https://next.nutanix.com/installation-configuration-23/backplane-network-in-aos-5-5-27291>

#### QUESTION 49

An administrator receives reports about a Nutanix environment. The investigation finds the following;

- VMs are experiencing very high latency
- Each node is equipped with a single SSD, utilized at 95%
- Each node is equipped with three HDDs, utilized at 40%

Why are the guest VMs experiencing high latency?

- CVMs are overwhelmed by disk balancing operations.
- All VM write operations are going to HDD.
- All VM read operations are coming from HDD.
- VMs are unable to perform write operations.

**Correct Answer: C**

**Section:**

**Udumps**

**Explanation:**

Reference: <https://next.nutanix.com/prism-infrastructure-management-26/disk-space-usage-highalert-in-prism-38199>

**Latency Variables in a Nutanix Cluster**

The following points provide you with the information regarding latency on a Nutanix cluster.

- All-flash-array nodes are provided by Nutanix, but the focus of this KB is on the two-tier (SSD and HDD) nodes. This two-tier design aims to keep frequently read data in the host (SSD) tier and Information Life Cycle Management (ILM) promotes and demotes the data from the hot tier. This provides a cost-effective solution that has variable latency response.
- Extent store : HDD and SSD together makes the extent store. However some portion of the SSDs is used for Oplog.
- Oplog: This is used for random writes where data is temporarily written and provides quick acknowledgement. This is eventually drained to an extent store.
- Cluster that are correctly sized will have a Working Set Size (WSS) that fits within the SSD tier. This ensures that the commonly accessed data on the cluster is available from the SSD. If ILM is moving data from hot to cold tier and back, it implies that the cluster is under sized and higher latencies will be experienced due to the higher cold-tier hit rate for the data reads.
- Data that is read from the cold tier (HDD - spinning disk) will have higher latency than the data that is read from the hot tier.

**QUESTION 50**

An administrator has an existing Nutanix seven-node cluster running at RF2 that must be changed to have the following capabilities:

- RF3 set for the cluster
- Performance tier deduplication

What is the minimum memory needed on the CVMs to allow for these capabilities?

- A. 24GB
- B. 28GB
- C. 32GB
- D. 20G?

**Correct Answer: B**

**Section:**

**Explanation:**

Reference: [https://next.nutanix.com/how-it-works-22/rf2-rf3-requirements-37206#:~:text=Controller%20VMs%20must%20be%20configured,for%20the%20feature\)%20of%20memory.](https://next.nutanix.com/how-it-works-22/rf2-rf3-requirements-37206#:~:text=Controller%20VMs%20must%20be%20configured,for%20the%20feature)%20of%20memory.)

**QUESTION 51**

A customer has Metro Availability configured in Automatic Resume Mode between Site A and Site B What happens to VMs if Primary Site A has full network failure?

- A. Automatic protection domain promotion in Site B. VMs automatically restart in Site B
- B. VMs continue to run on Site A following an automatic disable of protection domains.
- C. An administrator must unwitness in Site B and promote protection domains in Site B for VMs to restart
- D. An administrator must promote protection domains in Site B for VMs to restart.

**Correct Answer: A**



**Section:**

**Explanation:**

Reference: <https://support-portal.nutanix.com/page/documents/details/?targetId=Web-Console-Guide-Prism-v55:sto-metro-availability-witness-c.html>

**QUESTION 52**

An administrator is responsible for the following Nutanix Enterprise Cloud environment:

- A central datacenter with a 20-node cluster with 1.5PB of storage
- Five remote sites each with a 4-node cluster with 200TB storage

The remote sites are connected to the datacenter via 1GB links with an average latency of 6 ms RTT.

What is the minimum RPO the administrator can achieve for this environment?

- A. 0 minutes
- B. 15 minutes
- C. 1 hour
- D. 6 hours

**Correct Answer: B**

**Section:**

**Explanation:**

Reference: [https://support-portal.nutanix.com/page/documents/details?targetId=Web-Console-Guide-Prism-v5\\_10:wc-protection-domain-wc-c.html](https://support-portal.nutanix.com/page/documents/details?targetId=Web-Console-Guide-Prism-v5_10:wc-protection-domain-wc-c.html)

**QUESTION 53**

A VM does not have enough resources for the demand, which leads to performance bottlenecks. The VM is exhibiting one or more of following baseline values, based on the past 30 days:

- CPU usage > 90% (moderate), 95% (high)
- CPU ready time > 5%, 10%
- Memory usage > 90%, 95%
- Memory swap rate > 0 Kbps (no moderate value)

Which type of VM is being described?

- A. Constrained VM
- B. Bully VM
- C. Inactive VM
- D. Over-provisioned VM

**Correct Answer: A**

**Section:**

**Explanation:**

Constrained VM

Constrained VM is one that does not have enough resources for the demand and can lead to performance bottlenecks. A VM is considered constrained when it exhibits one or more of the following baseline values, based on the past 30 days:

- CPU usage > 90% (moderate), 95% (high)
- CPU ready time > 5%, 10%
- Memory usage > 90%, 95%
- Memory swap rate > 0 Kbps (no moderate value)

**QUESTION 54**

A Nutanix cluster is deployed with the following configuration:

- Three four-node blocks (A, B, and C)



- All Flash Redundancy Factor 2

What is the effect of simultaneous disk failures on two nodes located in block A?

- A. VMs are migrated off of the nodes with disk failures.
- B. Each node with a failed disk is marked as degraded.
- C. VM read and write operations continue normally.
- D. VMs on the nodes with failed disks are unable to write data

**Correct Answer: C**

**Section:**

**Explanation:**

Reference: <https://next.nutanix.com/how-it-works-22/redundancy-factor-vs-replication-factor-37486>

Dual Disk Failures :

with Replication Factor = 2, we have two copies of each data block. Also, with a 4TB Disk which is only 1TB utilised, we will have 1TB worth of blocks/data across the cluster (shorter rebuild times as we factor in the capacity utilised)- plus with AOS proactive disk alerting, so, unless two disks are pulled at the same time, this can be a very rare occurrence of two drives failing at the same time.

#### QUESTION 55

An administrator has a VM that consumes large amounts of storage and has the following characteristics:

- Create large / sequential writes
- Data must be kept for years
- Data is normally only accessed at the end of the year to run report The administrator decides to use Erasure Coding to save space.

Which feature should the administrator utilize to save space for this VM?

- A. Inline Compression
- B. Flash Mode
- C. Cache Dedup
- D. Post-Process Compression

**Correct Answer: D**

**Section:**

#### QUESTION 56

An administrator needs to make sure an RF2 cluster can survive a complete rack failure without negatively effecting workload performance. The current cluster configuration consists of the following:

- 30 nodes: distributed 10 nodes per rack across three 42U rack
- Each nodes is configured with 40TB usable storage all flash (Cluster Total 1.2 PB Usable)
- Current cluster utilization is 900TB storage

Which configuration changes should be made to make sure that the cluster meets the requirements?

- A. Expanse the cluster by adding 3 additional nodes per rack, 9 nodes total.
- B. Expanse the cluster by adding 2 additional nodes per rack, 6 nodes total.
- C. Expanse the cluster by adding 9 nodes to a new 42U rack
- D. Expanse the cluster by adding 8 nodes to a new 42U rack

**Correct Answer: A**

**Section:****Explanation:****DATA RESILIENCY LEVELS FOR RACK FAULT TOLERANCE**

Table 1. Data Resiliency LevelsThe following table shows the level of data resiliency (simultaneous failure) provided for the following combinations of replication factor, minimum number of nodes, minimum number of blocks, and minimum number of racks.

Fault Domain	Replication Factor	Minimum Number of Nodes	Minimum Number of Blocks	Minimum Number of Racks	Data Resiliency
Node	2	3*	1	1	1 node or 1 disk failure
	3	5*	2	1	2 nodes or 2 disk failures
Block	2	3	3*	1	1 node or 1 block or 1 disk failure
	3	5	5*	1	2 nodes or 2 blocks or 2 disk failures
Rack	2	3	3	3*	1 node or 1 block or 1 rack or 1 disk
	3	5	5	5*	2 nodes or 2 blocks or 2 racks or 2 disks

\* Erasure Coding with Rack Awareness - Erasure coding is supported on a rack aware cluster. You can enable erasure coding on new containers in rack aware clusters provided certain minimums are met that are shown in the table above.

**QUESTION 57**

An administrator needs to maximize storage potential in a six-node cluster. The container is configured with the following:

Post-process compression

Capacity deduplication

What should the administrator configure to increase space savings?

- A. Erasure coding
- B. Inline compression
- C. Reserve capacity
- D. Cache dedupe

**Correct Answer: A**

**Section:**

**QUESTION 58**

An administrator is currently using both 10g uplink with LACP and balance-tcp. A single VM should not be allowed to use more than a single 10G uplink, and both uplinks should be utilized.

Which two command should be used to configure the bond? (choose two)

- A. Ovs-vsctl set port br0-up bond\_mode=balance-slb
- B. Ovs-vsctl set port br0-up bond\_mode=balance-tcp
- C. Ovs-vsctl set port br0-up bond\_mode=active-backup
- D. Ovs-vsctl set port br0-up other\_config: bond-rebalance-interval=30000

**Correct Answer: A, D**

**Section:**

**QUESTION 59**

An organization is running a Nutanix Cluster based on AOS 5.10.x and VMware vSphere 6.7.

Currently, the CVM network is segmented and Storage only nodes not present.

A new security project based on NSX is coming. VMware Distributed Virtual Switches are required.

The administrator needs to prepare the environment for the new project.

Which step should the administrator use to initiate the project?

- A. Enable Nutanix Flow at the Prism Central Level
- B. Manually disable CVM network Segmentation

- C. Convert storage only nodes into vSphere nodes
- D. Enable Jumbo Frames to accommodate network frames

**Correct Answer: D**

**Section:**

#### QUESTION 60

Over the period of 2 to 3 weeks, a cluster displays the following:

- Periods where Warning Alerts of memory usage over 75% are asserted
- Periods where Critical Warnings of memory usage over 90% are asserted
- Periods of slow or frozen VDI desktops have caused work stoppage or slowdown
- VDI clones have periodically not powered up when called, causing work stoppage Which steps should be used to prioritize the administrator's troubleshooting efforts?

- A.
  - Assess resource health on Hardware page
  - Review the Analysis page for memory usage demand
  - Determine the VDI workload-to-host affinity across the cluster
- B.
  - Analyze Alert Pages for a root cause of memory problem
  - Analyze VM table page to access the VM functionality
  - Analyze the VDI Clone properties for possible VDI Workload stress
- C.
  - Check Analysis page for CPU demand
  - Verify VDI workload property for memory subscription
  - Review the Hardware page to determine if the cluster has sufficient RAM
- D.
  - Review Analysis Page for memory use pattern
  - Alert with VDI workload demand
  - Analyze current and future workload in the Capacity Runaway tab for sufficient resources



**Correct Answer: D**

**Section:**

#### QUESTION 61

After the migration, some SQL queries take longer to execute than prior to migration.

The following SQL best practices were applied while creating the SQL VM on Nutanix:

- 8 vDisks per SQL server VM
- Database and Log files on separate vDisk
- 2 TempDB database drives and 1 TempDB log drive

What should the administrator do to improve the SQL Server performance?

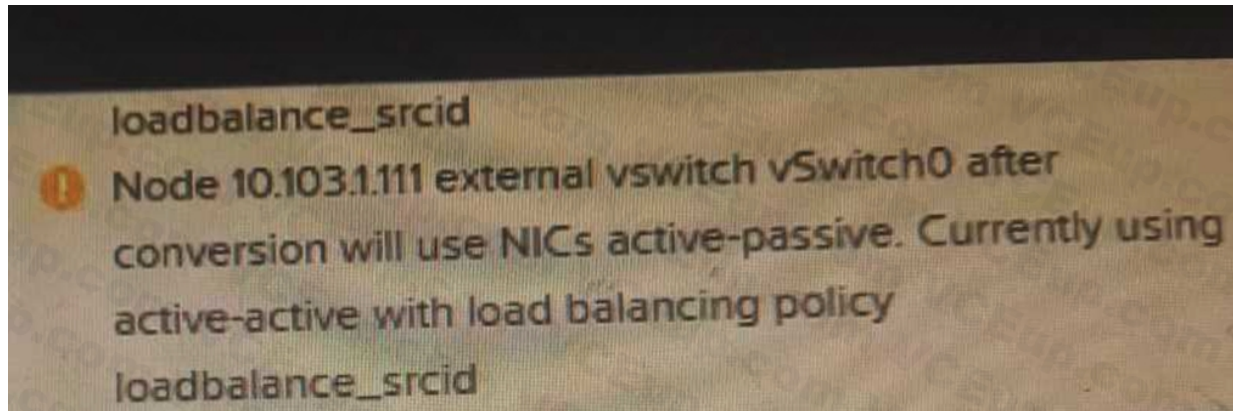
- A. Redistribute existing data by creating additional database file and enable autogrowth
- B. Create multiple TempDB data files and enable autogrowth
- C. Create multiple SQL log files and disable autogrowth
- D. Redistribute existing data by creating additional database files and disable autogrowth

**Correct Answer: A**

**Section:**

#### QUESTION 62

Refer to the exhibit.



An administrator receive the warning messages shown in the exhibit while validating cluster conversion from ESXi to AHV. What should the administrator do to address this warning in v Center Server?

- A. Keep active adapters of different speeds as active standby
- B. Remove adapters that are active but not homogeneous.
- C. Keep homogeneous adapter as active and standby
- D. Remove the standby adapters under Teaming and Failover.

**Correct Answer: C**

**Section:**

#### QUESTION 63

An administrator configure Active Directory (AD) authentication for their Nutanix environment. When login in using an AD user account, the login process takes more than one minute to complete. No delay occurs when logging a local account. What should the administrator confirm to resolve this issue?

- A. The user search base for the group is configured correctly
- B. The domain controller being used is configured as a global catalog server.
- C. Active directory lookups are configured to use Non-Recursive mode.
- D. The service Account Username is correct for the domain.

**Correct Answer: C**

**Section:**

#### QUESTION 64

A customer has the following requirement for a Nutanix cluster:  
Must support high-performance Nutanix Volumes iSCSI workloads  
Must utilize AHV nodes  
Must use 10 GbE interface  
How should the customer optimize networking?

- A. Enable Jumbo Frame on just the Host
- B. Convert Cluster to ESXi and enable Jumbo Frame on Host and CVM
- C. Enable Jumbo Frames on just the CVM
- D. Enable the use of Jumbo Frame on Host and CVM

**Correct Answer: A**

**Section:**

**QUESTION 65**

A customer has a four-node cluster and is using Volume Groups to provide storage services to a SQL cluster. In the event of a CVM failure in the cluster, what is the expected IO path of the volume group's iSCSI targets?

- A. vDisk directed at failure CVM are redirected to Data Services IP until CVM is reconnected
- B. vDisk directed to CVM that failed to disconnect and will not reconnect without manual intervention
- C. vDisk directed to failed CVM are redirected to another CVM and automatically reconnect
- D. vDisk directed at failed CVM will disconnect and reconnect when the failed CVM comes back online

**Correct Answer: C**

**Section:**

**QUESTION 66**

The networking team makes changes to the Top of Rack switches to which the Nutanix cluster are attached. A few VMs are able to communicate with each other on the same node but are unable to connect to other parts of the network.

What is the likely cause of this issue?

- A. There is a VLAN misconfiguration on the VMs.
- B. The vNIC port is disconnected on the affected VMs.
- C. There is a VLAN misconfiguration on the switch.
- D. Jumbo Frame are misconfigured across ports.

**Correct Answer: C**

**Section:**

**QUESTION 67**

An administrator has a 32-node hybrid cluster with CPU, RAM and storage utilization of 80%. A database VM is configured with VM Flash. What is causing this IO latency?

- A. Controller VM is experiencing high CPU ready time.
- B. Curator scans causes by ILM constantly moving data.
- C. VM Flash Mode reduces SSD tier capacity for VMs.
- D. Database VM is experiencing high CPU ready time.

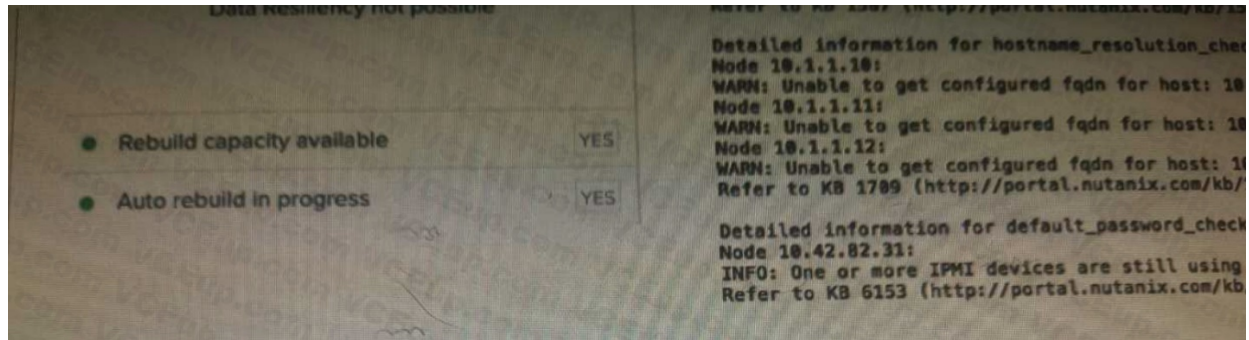
**Correct Answer: A**

**Section:**

**QUESTION 68**

Refer to the exhibit.





An administrator logged into Prism Element, notices the following in the home dashboard, and showing the exhibit. Which action should the administrator take next?

- A. Configure the fqdn for the hosts indicated
- B. Troubleshoot the zookeeper server issue
- C. Re-run NCC specifying data\_resiliency\_check
- D. Check the hardware page for disk failures

**Correct Answer: C**

**Section:**

#### QUESTION 69

An administrator is deploying a new application to a Nutanix Enterprise Cloud. The application requires a security to prevent unauthorized access. The application also uses many non-standard ports that are unique to it. Security should not be changed for existing applications.

What should the administrator do to meet these requirement?

- A. Use existing categories for the VMs, and create new security policies to use the existing categories.
- B. Use existing categories for the VMs and modify existing security policies to include the specific port.
- C. Create new categories for the VMs, and create new security policies that include the new categories.
- D. Create new categories for the VMs, and modify existing security policies to include the new categories.

**Correct Answer: C**

**Section:**

#### QUESTION 70

A CEO asks the IT administrator to provide a list of required resources to protect current workloads and the two new SQL servers from a disaster. The Nutanix environment is managed by Prism Central. Which option explains how to meet the CEO's request?

- A. In Capacity Runway, select Optimize Resources and select all VMs that must be protected.
- B. Create a new project and assign the VMs to it to get compute and storage requirements.
- C. Create a new scenario based on a new cluster based on a VM Profile and select Recommend.
- D. Create a new Recovery policy by selecting the VM that needs to be protected and get hardware requirements.

**Correct Answer: D**

**Section:**

#### QUESTION 71

An administrator is trying to correct high cluster IOPs and Cluster Controller Latency. Networking is the suspected issue.

Which networking parameters should be configured in the Nutanix cluster?

- A. Bond State and network latency
- B. Number of NICs connected and network latency.
- C. Number of NICs connected and frame size
- D. Number of NICs connected and bond state.

**Correct Answer: C**

**Section:**

#### QUESTION 72

An administrator needs to configure snapshots for DR scenarios. The databases get refreshed on Friday nights regularly. The search service application re-indexes the new application on Saturday nights regularly. The remaining front-end and middle tier VMs are static but do get minor version updates weekly.

The administrator needs to have 2 weeks of daily snapshots for all the VMs in an app group and 2 weeks application consist local snapshots only on Fridays, Saturdays and Sundays on the same group of VMs.

Which two options should the administrator use to configure snapshots?

- A. Create a schedule in a protection domain for all applicable VMs to snap daily with application consistency enabled with 6 days of retention and with no application consistency and 14 days local retention.
- B. Create two consistency groups in a protection domain, one for front-end and middle tier apps with no application consistency, one for database and Search apps with application consistency, and apply the correct schedule to both groups.
- C. Create one protection domain for all VMs in an application group with scheduled daily nonapplication consistent snapshots and another protection domain for all VMs in an application group with scheduled Friday, Saturday, Sunday application consistent snapshots.

**Correct Answer: A**

**Section:**

#### QUESTION 73

An administrator needs to install prism central for their 2550 multi-cluster environment.

How should they deploy the application?

- A. Deploy a large 3-VM Prism Central instance
- B. Deploy a large 1-VM Prism Central instance.
- C. Deploy a small 3-VM Prism Central instance.
- D. Deploy a small 1-VM Prism Central instance.

**Correct Answer: A**

**Section:**

#### QUESTION 74

An administrator recently added in 3 nodes to an existing 5 node cluster. While 1 node came with its own block, the other 2 nodes where added to an existing share. After adding the nodes, the administrator sees that the hardware tab displays the correct number of nodes, but incorrect position in the diagram tab.

What should the administrator do to resolve the issue?

- A. Check the factory\_config.json for all 3 nodes
- B. SSH into CVM and perform genesis restart on each CVM
- C. SSH into the CVMs and run genesis acropolis stop; cluster start
- D. Check the factory\_config.json for the two single nodes.

**Correct Answer: D**





**Section:**

**QUESTION 75**

The following critical Availability Alert displays in Prism Central:

`Availability Zone configured in Protection Policy PP-BCA-1HR is not accessible.`

The protection Policy PP-BCA-1HR includes a business critical application with a 1-hour snapshot frequency. What is causing this issue?

- A. There is a scheduled outage for the Availability Zone referenced in Protection Policy PP-BCA-1HR.
- B. Workloads included in PP-BCA-1HR are no longer within their intended RPO.
- C. Prism Central in the Availability Zone for PP-BCA-1HR is unavailable.
- D. NearSync replication between the Availability Zones has fallen out of scope.

**Correct Answer: A**

**Section:**

**QUESTION 76**

The following alert appears on the file server alerts tab in the file server dashboard:

`File Server FS47-SS has multiple VMs on a single node`

Which two events can generate this alert? (choose two)

- A. A three-node duster hosting the file server is undergoing AOS upgrade.
- B. A node failed in a three-node cluster.
- C. A Nutanix file with four the server VMs is deployed on a three-node duster.
- D. A node is set to the maintenance mode in a three node cluster.



**Correct Answer: A, D**

**Section:**

**QUESTION 77**

A systems administrator configures a protection domain replication between two Nutanix clusters. After the first successful replication, the administrator tests DR by clicking activate on the remote cluster. While VMs are active on the remote cluster, the protection domain is marked as active on both clusters. What steps are required to return both clusters to their original state?

- A. 1. On the remote site, deactivate the Protection Domain using ncli
- B. On the primary site, select the Protection Domain and click migrate
- C. 1. On the remote site, promote the Protection Domain
- D. On the primary site, change the Protection Domain state from Decoupled to Disabled 3 Enable the original primary site as remote site
- E. 1. On the primary site, suspend replications
- F. On the remote site, deactivate the Protection Domain using ncli
- G. On the remote site, migrate the protection domain back to the primary site
- H. 1 On the remote site, restore the snapshots from the Protection Domain
- I. On the remote site, select the Protection Domain and migrate to the primary site

**Correct Answer: A**

**Section:**

**QUESTION 78**

An organization subscribes to field advisories from the Nutanix support portal. An administrator receives an email about a rare problem that could cause cluster instability and affect the entire AOS cluster. The organization is running VMware vSphere 6.x on Nutanix.

What action should be taken to resolve this issue?

- A. Open Prism Element and select Upgrade Software to update AOS.
- B. File a ticket to Nutanix Support and provide the Field Advisory ID.
- C. Use VMware Update Manager to update the cluster.
- D. In Prism Central, select Life Cycle Management and perform LCM update.

**Correct Answer: D**

**Section:**

**QUESTION 79**

An administrator needs to configure the cluster to ensure all VMs are capable of being restarted in the event of a host failure.

Which option provides this functionality?

- A. HA Reservation
- B. Live Migration
- C. VM Affinity
- D. Best Effort

**Correct Answer: A**

**Section:**

**QUESTION 80**

Which two access protocols are supported by Files? (Choose two.)

- A. NFS
- B. FCOE
- C. SMB
- D. iSCSI

**Correct Answer: A, C**

**Section:**

**QUESTION 81**

Which command should an administrator run from the CLI to view the uplink state of all AHV nodes in the cluster?

- A. `manage_ovs show_uplinks`
- B. `allssh show_uplinks`
- C. `allssh manage_ovs show_uplinks`
- D. `manage ovs show uplinks`



**Correct Answer: C**

**Section:**

**QUESTION 82**

An administrator is creating a Protection Domain to back up multiple application environments. Which mechanism does Nutanix use to aggregate VMs with common backup and restore objectives?

- A. Application Pools
- B. Policy-based Backups
- C. Consistency Groups
- D. Availability Domains

**Correct Answer: C**

**Section:**

**QUESTION 83**

- A. From the Life Cycle Management page in Prism Element, click Perform Inventory, then edit settings and set LCM Auto Inventory to Daily
- B. From the Life Cycle Management page in Prism Central, click Perform Inventory, then edit settings and click the Enable LCM Auto Inventory checkbox
- C. From the Life Cycle Management page in Prism Element, click Perform Inventory, then edit settings and click the Enable LCM Auto Inventory checkbox
- D. From the Life Cycle Management page in Prism Central, click Perform Inventory every Morning

**Correct Answer: D**

**Section:**



**QUESTION 84**

A Nutanix cluster is equipped with four nodes. Four VMs on this cluster have been configured with a VM-VM anti-affinity policy and are each being hosted by a different node. What occurs to the cluster and these VMs during an AHV upgrade?

- A. One VM out of the four powers down when the node hosting it reboots.
- B. One node hosts two VMs while the node being upgraded is in maintenance mode.
- C. The AHV pre-upgrade checks fail until the four VMs are powered off.
- D. The AHV pre-upgrade checks fail until the administrator disables the anti-affinity policy.

**Correct Answer: D**

**Section:**

**QUESTION 85**

An Administrator needs to provide users access to prism Central Projects. What Source of user accounts must the administrator Use?

- A. Local Users
- B. Open LDAP
- C. Active Directory
- D. SAML2 Provider

**Correct Answer: C**

**Section:**

**QUESTION 86**

An Administrator expanded the disk capacity on a windows VM, but the VM operator saw no difference in its space. Which Addition task must the administrator take ?

- A. Reconnect to the iscsi target
- B. reboot the virtual machine
- C. Convert to a dynamic Disk
- D. Expand the current partition

**Correct Answer: D**

**Section:**

**QUESTION 87**

Which Task is Required to initiate a live migration of VMs between two cluster.?

- A. Replicate VM Recovery Point
- B. Promote Metro Availability Protection Domain
- C. Press Migrate Button on the Protection Domain
- D. Perform a Leap Planned Failover

**Correct Answer: C**

**Section:**

**QUESTION 88**

An Administrator Wants a VM to Communicate with two Separate VLANs. What steps should the administrator complete?

- A. Add a single NIC to the VM and Configure it for both VLANs
- B. Add two NICs to the VM and Configure one for each VLAN
- C. Turn on IPAM for auto configuration of VLANs
- D. Configure a security Policy to assign VLANs to the VM

**Correct Answer: B**

**Section:**

**QUESTION 89**

An Administrator is concerned that a VM on a hybrid Cluster with 8Gb RAM and 4 vCPU is performing poorly. An Analysis of the VM indicates that CPU Utilization is at 50% ,memory utilization is at 30% , and disk latency is at 18ms. What can the administrator do to improve performance?

- A. Increase vDisk Size
- B. add 4GB RAM
- C. Enable FLash Mode

**Correct Answer: B**



**Section:**

**QUESTION 90**

Which Windows technology does AHV support to prevent authentication theft?

- A. Endpoint Manager
- B. Azure AD Multi-Factor
- C. Windows Defender Credential Guard
- D. Active Directory federation Services

**Correct Answer: D**

**Section:**

**QUESTION 91**

An Administrator has created a Volume Group for a specific VM on an AHV Cluster. What is the next step required to user vDisk in the VM?

- A. Attach the Volume Group to the VM
- B. Configure CHAP Authentication
- C. Reboot the VM
- D. Bring the disk Online

**Correct Answer: A**

**Section:**

**QUESTION 92**

Assuming Sufficient Storage Capacity, how long are entities kept in the prism recycle bin?

- A. 8 hours
- B. 24 hours
- C. 1 week
- D. 1 month

**Correct Answer: B**

**Section:**

**QUESTION 93**

Which Nutanix Product Provide S3-Compatible Storage?

- A. Volumes
- B. Files
- C. Objects
- D. Mine

**Correct Answer: C**

**Section:**



**QUESTION 94**

A New Project is Being rolled out to an AHV Cluster being monitored by prism Central , The Application team indicated that the application managed by the project is very memory intensive . The administrator wants to be notified about any memory constraints should they occur. How would an administrator most effectively achieve this task?

- A. Create a new metric chart for the cluster and analyse hypervisor Memory Usage
- B. Search for the VM , then in the details page , go to metrics an select CPU usage.
- C. Create a Report to tracking the memory Usage
- D. Create a new alert policy for the memory Usage and set to critical after 80%.

**Correct Answer: D**

**Section:**

**QUESTION 95**

When Does AOS automatically Generate a case with nutanix Support?

- A. When disk space usage is high above 90%
- B. On failure of a scheduled NCC check
- C. When losing network connectivity to the CVM
- D. For every alert detected by pulse Diagnostics

**Correct Answer: B**

**Section:**

**QUESTION 96**

An Administrator has received the following critical alert:

Node 192.168.148.172 is marked to be detached from metadata the administrator has opened a case with Nutanix and the support engineer has requested more information about the error. Which two action should the administrator take in the health check dashboard to collect the requested information? choose two

- A. Open A remote support tunnel
- B. Run Logbay
- C. Create an entity chart
- D. Run Nutanix cluster check

**Correct Answer: B, D**

**Section:**

**QUESTION 97**

How should an administrator enable the recycle bin on a nutanix cluster?

- A. Select the Enable Recycle Bin checkbox on the storage Overview page
- B. select Retain Deleted VMs for 8h in the cluster Details Page of the cluster setting
- C. Select the enable recycle bin checkbox in the configure CVM page of the cluster setting
- D. Select Retain Deleted VMs for 24h in the cluster details page of the cluster setting

**Correct Answer: D**

**Section:**



**QUESTION 98**

An administrator reviews the error in the exhibit, the examines the state of the cluster, the administrator finds that the AHV host is up and Functional , but the cluster capacity is low. What will happen to the VMs on the host with this controller VM?

- A. They will remain on the current host
- B. they will reboot onto other nodes in the cluster
- C. the will shutdown and be orphaned on the host
- D. they will be shutdown unless protected by a Protection Policy

**Correct Answer: B**

**Section:**

**QUESTION 99**

An administrator needs to provide data integrity at the application level for a VM that is replicated to a secondary site. Which requirement will satisfy this task?

- A. 1 VM per Availability Zone
- B. 1 VM per Consistency Group
- C. 1 VM per schedule
- D. 1 VM per Protection Domain

**Correct Answer: C**

**Section:**

**QUESTION 100**

An administrator recently installed Prism Central to use categories, after having created categories and values, the administrator needs to apply these categories to multiple workloads. How can the administrator easily perform this task?

- A. Go to Categories and select the VMs to be added
- B. Create a Playbook to automate the process
- C. Manage the VMs ownership
- D. Choose multiple VMs and select Manage Categories

**Correct Answer: D**

**Section:**

**QUESTION 101**

Which two CVM components are used to provide data Locality? Choose 2

- A. Volume Group
- B. Logical unit
- C. Unified Cache
- D. Extent Store

**Correct Answer: C, D**

**Section:**



**QUESTION 102**

A company's Security team has requested that all IT resources be hardened.  
What should an administrator do to increase the security of the Nutanix environment ?

- A. Enable Prism Central KMS
- B. Enable STIG
- C. Enable Cluster Lockdown
- D. Enable Flow

**Correct Answer: C**

**Section:**

**QUESTION 103**

An administrator wants to view VMs with NGT Installed and Filter by their installed guest operating systems.  
How can this task most quickly be accomplished within Prism Central?

- A. Use a pre-defined Prism Central report
- B. Create a custom Focus using the OS Column
- C. In the VM dashboard , filter by the Nutanix Guest tools - OS field
- D. use the Prism central analysis Panel to create a pie chart by OSType

**Correct Answer: C**

**Section:**

**QUESTION 104**

An administrator attempts to reinstall a VM's Guest OS but is unable to change the Legacy BIOS boot Priority.  
Based on the exhibit, what is causing this issue?

- A. the CD-ROM is empty
- B. the VM is currently ON
- C. GuestOS reinstall is not possible for a VM
- D. the VM is undergoing a snapshot

**Correct Answer: B**

**Section:**

**QUESTION 105**

Which two advanced features Requires you to install Nutanix Guest Tools NGT ? ( Choose Two)

- A. Disaster Recovery of a VM between AHV and ESXi Hypervisors
- B. Self-service file-level recovery from VM snapshots
- C. File recovery from a third-party backup
- D. Live Migration of a VM between AHV & other Hypervisors

**Correct Answer: A, B**

**Section:**





**QUESTION 106**

An administrator needs to expand a nutanix cluster that is tagging the network traffic at the CVM and AHV level, however the administrator doesn't remember the configured VLAN ID. Which AHV command can the administrator run to find the correct VLAN ID?

- A. manage\_ovs
- B. acli
- C. ifconfig
- D. ovs-vsctl

**Correct Answer: D**

**Section:**

**QUESTION 107**

What is the minimum number of blocks required to utilize block awareness?

A 2

- A. 3
- B. 4

**Correct Answer: B**

**Section:**

**QUESTION 108**

An administrator has Created a new windows VM and Given it to the user. The user states that only C drive mapping is visible within the windows OS. What is causing this issue?

- A. The user has not formatted and assigned drive letters to the additional disk.
- B. The additional disk have not been formatted as ExFAT in Prism Central
- C. the administrator has not run the add command line utility
- D. the additional disk were formatted as NTFS in Prism Central

**Correct Answer: A**

**Section:**