

Network Appliance.NS0-163.by.Janmoiuy.151q

Number: NS0-163  
Passing Score: 800  
Time Limit: 120  
File Version: 3.0

**Exam Code: NS0-163**

**Exam Name: NetApp Certified Data Administrator, ONTAP Professional**



## Exam A

### QUESTION 1

For aggregates or traditional volume SyncMirror to work correctly, the configuration of each plex must be identical with regard to\_\_\_\_\_.

- A. Mirrored snapshots.
- B. RAID groups and disk sizes.
- C. NDMP and snapshots.
- D. NVRAM.

**Correct Answer: B**

**Section:**

### QUESTION 2

Which one of the following commands would you use to create a new SyncMirror volume, letting Data ONTAP select the disk drives?

- A. vol mirror volX -n 12
- B. vol mirror volX -m 12
- C. vol create volX -d 12
- D. vol create volX -m 12

**Correct Answer: D**

**Section:**

### QUESTION 3

Which two tools can be used to actively monitor ONTAP cluster performance? (Choose two.)

- A. Cloud Sync
- B. Active IQ Unified Manager
- C. Cloud Insights
- D. Active IQ OneCollect

**Correct Answer: B, C**

**Section:**

### QUESTION 4

What needs to be enabled on an ONTAP SMB share to increase data throughput and fault tolerance for Microsoft SQL Server databases?

- A. Multi-channel
- B. Round-robin
- C. Initiator group
- D. Multipathing

**Correct Answer: A**



**Section:**

**QUESTION 5**

Which one of the following SyncMirror commands would you use to mirror an existing unmirrored volume where Data ONTAP selects the disk drives?

- A. vol mirror volY
- B. vol mirror volY -m
- C. vol mirror volY -d 12@144
- D. vol mirror volY -m 12@144

**Correct Answer: A**

**Section:**

**QUESTION 6**

While troubleshooting a double disk failure with SyncMirror. You decide to remove and destroy a plex from a mirrored volume. What steps would you perform to remove a plex from a mirrored volume?

- A. Ensure the plex is offline and use the vol destroy plexname command.
- B. Ensure the plex is online and use the vol destroy plexname command.
- C. Take the volume offline and use the vol destroy command.
- D. Take the volume offline and use the vol destroy -f command.

**Correct Answer: A**

**Section:**

**QUESTION 7**

Which one of the following keywords alone can be used to convert an asynchronous mirror to be synchronous?

- A. cksum
- B. src\_con
- C. sync
- D. outstanding

**Correct Answer: C**

**Section:**

**QUESTION 8**

What command would you enter to restore the /vol/flexvol0/etc/rc file from a snapshot to the /vol/flexvol0/home directory?

- A. snap restore -r vol /vol/flexvol0/home/rc /vol/flexvol0/etc/rc
- B. snap restore -t /vol/flexvol0/home/rc /vol/flexvol0/etc/rc
- C. snap restore -t file -r /vol/flexvol0/home/rc /vol/flexvol0/etc/rc
- D. snap restore -s /vol/flexvol0/home/rc /vol/flexvol0/etc/rc

**Correct Answer: C**

**Section:**

**QUESTION 9**



Which three of the following configurations would increase data transfer rates for traditional volume SnapMirror?

- A. The destination and source contain disks of the same size.
- B. The destination and source contain RAID groups of the same size.
- C. The destination and source storage appliances are no further than 30 meters apart.
- D. The destination and source contain the same number of RAID groups.

**Correct Answer: A, B, D**

**Section:**

**QUESTION 10**

The snapvault update command is only available on the secondary system.

- A. True
- B. False

**Correct Answer: A**

**Section:**

**QUESTION 11**

What is the format for snapvault schedule?

- A. YYYY-MM-DD
- B. crontab format
- C. cnt[@day\_list][@hour\_list]
- D. List of dates in ISO Date format

**Correct Answer: C**

**Section:**

**QUESTION 12**

Which one of the following commands is used to specify the destination appliance(s) that are allowed to replicate (pul data from the source appliance?

- A. options snapmirror.allow
- B. snapmirror release
- C. snapmirror initialize
- D. options snapmirror.access

**Correct Answer: D**

**Section:**

**QUESTION 13**

Open System SnapVault agents can be installed on all non-Network Appliance platforms.

- A. True
- B. False



**Correct Answer: B**

**Section:**

**QUESTION 14**

Which one of the following statements apply to the Free Space Estimator utility?

- A. This utility determines if there is sufficient space on the secondary volume to perform a transfer
- B. This utility determines if there is sufficient disk space available on the primary to perform an OSSV transfer
- C. This utility run automatically after each transfer
- D. This utility must be enabled on the secondary storage system

**Correct Answer: B**

**Section:**

**QUESTION 15**

Which one of the following does SnapRestore revert?

- A. Snapshot schedules
- B. Volume option settings
- C. RAID group size
- D. File content

**Correct Answer: D**

**Section:**

**QUESTION 16**

Which two supported methods would you use to restore data from a SnapVault for Net Backup Volume?

- A. Use the Net Backup Administration Console
- B. Use drag-and-drop technologies
- C. Use the snapvault restore Data ONTAP command
- D. Use the SnapRestore Data ONTAP service

**Correct Answer: A, B**

**Section:**

**QUESTION 17**

Which one of the following is not a pre-requisite for using SnapRestore?

- A. You must enter the SnapRestore license code before you can use it.
- B. Snapshots must exist on the storage appliance so that you can select a snapshot for the reversion.
- C. The volume to be reverted must be offline.
- D. The volume to be reverted must not be a SnapMirror destination.

**Correct Answer: C**

**Section:**



**QUESTION 18**

In a Fabric Attached Metro Cluster, disk ownership by a node is determined by\_\_\_\_\_.

- A. where the FC HBAs for disks connect into the switch, and by where the disks connect to the switch banks.
- B. the types of disks used in the cluster.
- C. the ports on the FC HBA.
- D. the slots in which the FC HBA is installed.

**Correct Answer: A**

**Section:**

**QUESTION 19**

For each Open Systems platform directory to be backed up to the SnapVault secondary storage system, you must execute \_\_\_\_\_ from the primary to secondary storage system.

- A. a temporary copy
- B. an incremental copy
- C. a scheduled update copy
- D. an initial baseline copy

**Correct Answer: D**

**Section:**

**QUESTION 20**

It is the use of the -Lflag in the snapmirror initialize command and the subsequent successful level 0 transfer that causes the destination volume to become snaplocke?

- A. True
- B. False

**Correct Answer: A**

**Section:**

**QUESTION 21**

Which one of the following statements is not true when using SnapRestore?

- A. SnapRestore must be licensed before you can use it.
- B. The options snaprestore <vol\_path\_name> enable on option must be enabled.
- C. The volume to be reverted must not be a SnapMirror destination mirror.
- D. The volume must be online.

**Correct Answer: B**

**Section:**

**QUESTION 22**

What does it signify if the disks are 'not owned' in a FAS270C appliance?

- A. The disks are data disks.
- B. The disks are spare disks.

- C. The disks are mailbox disks.
- D. The disks are not used.

**Correct Answer: D**

**Section:**

**QUESTION 23**

It is the use of the -L flag in the snapmirror initialize command and the subsequent successful level 0 transfer that causes the destination volume to become snaplocke?

- A. True
- B. False

**Correct Answer: A**

**Section:**

**QUESTION 24**

What is the format for snapvault schedule?

- A. YYYY-MM-DD
- B. crontab format
- C. cnt[@day\_Hst][@hour\_list]
- D. List of dates in ISO Date format

**Correct Answer: C**

**Section:**

**QUESTION 25**

Which one of the following statements is not true when using SnapRestore?

- A. SnapRestore must be licensed before you can use it.
- B. The options snaprestore <vol\_path\_name> enable on option must be enabled.
- C. The volume to be reverted must not be a SnapMirror destination mirror.
- D. The volume must be online.

**Correct Answer: B**

**Section:**

**QUESTION 26**

Which one of the following actions will cause a currently in sync snapmirror relationship to fall out of sync?

- A. Modifying the /etc/snapmirror.conf file on the source storage appliance
- B. Modifying the /etc/snapmirror.conf file on the destination storage appliance
- C. Running snapmirror update on the source storage appliance
- D. Running snapmirror release on the source storage appliance

**Correct Answer: B**

**Section:**



**QUESTION 27**

Which one of the following would you use to change the NDMP password on the Open System SnapVault agent?

- A. svpasswd
- B. svpassword <new\_password>
- C. password <new\_password>
- D. password

**Correct Answer: B**

**Section:**

**QUESTION 28**

To restore a primary SnapVault qtree to the exact qtree location on the primary storage system (from which it was backed up), you must:

- A. Add the new qtree to the primary storage system
- B. Restore to a non-existing qtree
- C. Overwrite the existing qtree on the primary storage system
- D. Delete the existing qtree from the secondary storage system

**Correct Answer: B**

**Section:**

**QUESTION 29**

Which three of the following configurations would increase data transfer rates for traditional volume SnapMirror?

- A. The destination and source contain disks of the same size.
- B. The destination and source contain RAID groups of the same size.
- C. The destination and source storage appliances are no further than 30 meters apart.
- D. The destination and source contain the same number of RAID groups.

**Correct Answer: A, B, D**

**Section:**

**QUESTION 30**

Alter issuing the vol split vol0/plex0 volNew command:

- A. There are two unmirrored volumes, vol0 and volNew.
- B. There are two new plexes, plex0 and plexNew.
- C. There is a new mirrored volume called volNew.
- D. There is a new plex called plexNew.

**Correct Answer: A**

**Section:**

**QUESTION 31**

Which two of the following NetApp storage appliances do not support the use of synchronous SnapMirror?



- A. F825
- B. FAS960
- C. F87
- D. F820

**Correct Answer: C, D**

**Section:**

**QUESTION 32**

Which option of the snap restore command allows you to specify a different directory, as long as the directory already exists?

- A. snap restore-r
- B. snap restore-d
- C. snap restore-s
- D. snap restore-c

**Correct Answer: A**

**Section:**

**QUESTION 33**

What console message is a good indication that the storage appliance is ready to reinstate the cluster from a previous takeover?

- A. waiting for takeover
- B. waiting for giveback
- C. resume takeover
- D. enter cf giveback

**Correct Answer: B**

**Section:**

**QUESTION 34**

Which one of the following statements is true of storage appliance SnapVault backup?

- A. The volume is the basic unit of SnapVault backup.
- B. The file is the basic unit for SnapVault backup.
- C. The directory is the basic unit for SnapVault backup.
- D. The qtree is the basic unit for SnapVault backup.

**Correct Answer: D**

**Section:**

**QUESTION 35**

When using MetroCluster, identify two methods for restricting access to the disaster site node. (Choose 2)

- A. Use manual fencing
- B. Turn off power to the disaster site node.
- C. Use the cf forcetakeover-d command.



D. Use the ckgiveback-f command.

**Correct Answer: A, B**

**Section:**

**QUESTION 36**

When you create a restricted volume to be used as the destination for SnapMirror data replication, which command allows you to check the size of the source and destination volumes?

- A. sysconfig -v
- B. df
- C. vol status -b
- D. vol mirror --v

**Correct Answer: C**

**Section:**

**QUESTION 37**

Which two supported methods would you use to restore data from a SnapVault for NetBackup Volume?

- A. Use the NetBackup Administration Console
- B. Use drag-and-drop technologies
- C. Use the snapvault restore Data ONTAP command
- D. Use the SnapRestore Data ONTAP service

**Correct Answer: A, B**

**Section:**

**QUESTION 38**

The snapvault snap sched-x command can be used to:

- A. Schedule full backups
- B. Start initial backups
- C. Schedule incremental backups
- D. Specify platforms that can be backed up

**Correct Answer: C**

**Section:**

**QUESTION 39**

When you are setting up SnapMirror, which one of the following is not a replication pre-requisite?

- A. SnapMirror must be licensed for each storage appliance.
- B. The source volume must be offline.
- C. If you are replicating a volume, you must create a restricted volume to be used as the SnapMirror destination volume.
- D. The capacity of the SnapMirror destination must be greater than or equal to the capacity of the source.

**Correct Answer: B**



**Section:**

**QUESTION 40**

Which three are true when creating a SyncMirror volume? (Choose 3)

- A. The number of disks added must be an even number and equally divided between the two plexes.
- B. The disks selected for Plex 0 and Plex 1 must come from the same disk pools.
- C. The number of disks selected for one plex must equal the number of disks selected from the other plex.
- D. The disks are selected first on the basis of equivalent bytes per sector (bps) size, then on the basis of the size of the disk. If there is no equivalent-sized disk, Data ONTAP takes a larger capacity disk and downsizes it.

**Correct Answer: A, C, D**

**Section:**

**QUESTION 41**

If the local node has its FC HBA connected to switch Bank 1, it owns the disks connected to switch bank

- A. 1
- B. 3
- C. 4
- D. 2

**Correct Answer: D**

**Section:**

**QUESTION 42**

Which command displays the disk ownership for both CPU modules in a FAS270C appliance?

- A. disk show-v
- B. disk display-r
- C. disk own -s
- D. vol status --r

**Correct Answer: A**

**Section:**

**QUESTION 43**

You are trying to do a single file SnapRestore for a file, but you are receiving an error message that the directory structure no longer exists. Which one of the following is the most likely explanation?

- A. You must recreate the directory structure before trying to restore the file.
- B. Once the directory structure has been deleted, you cannot restore the file using single file SnapRestore. You must now SnapRestore the volume.
- C. Snapshots have been created since the original directory structure was deleted.
- D. None of the above

**Correct Answer: A**

**Section:**

**QUESTION 44**



Which one of the following actions will cause a currently in sync snapmirror relationship to fall out of sync?

- A. Modifying the /etc/snapmirror.conf file on the source storage appliance
- B. Modifying the /etc/snapmirror.conf file on the destination storage appliance
- C. Running snapmirror update on the source storage appliance
- D. Running snapmirror release on the source storage appliance

**Correct Answer: B**

**Section:**

#### QUESTION 45

The NearStore system is not the recommended secondary storage appliance for Open System SnapVault.

- A. True
- B. False

**Correct Answer: B**

**Section:**

#### QUESTION 46

Data ONTAP uses inodes in an active file system to reference.

- A. disk blocks
- B. file segments
- C. qtrees
- D. snapshots

**Correct Answer: A**

**Section:**

#### QUESTION 47

Which one of the following is not a pre-requisite for using SnapRestore?

- A. You must enter the SnapRestore license code before you can use it.
- B. Snapshots must exist on the storage appliance so that you can select a snapshot for the reversion.
- C. The volume to be reverted must be offline.
- D. The volume to be reverted must not be a SnapMirror destination.

**Correct Answer: C**

**Section:**

#### QUESTION 48

Which two modes support using SnapMirror over multiple paths?

- A. Multiplexing
- B. Failover
- C. Giveback



D. Standalone

**Correct Answer: A, B**

**Section:**

**QUESTION 49**

When you create a restricted volume to be used as the destination for SnapMirror data replication, which command allows you to check the size of the source and destination volumes?

- A. sysconfig -v
- B. df
- C. vol status -b
- D. vol mirror --v

**Correct Answer: C**

**Section:**

**QUESTION 50**

You cannot disable the SyncMirror license if one or more mirrored volumes exist.

- A. True
- B. False

**Correct Answer: A**

**Section:**

**QUESTION 51**

A volume can contain up to \_\_\_ snapshots concurrently.

- A. 125
- B. 225
- C. 255
- D. Depends on capacity and number of disk drives

**Correct Answer: C**

**Section:**

**QUESTION 52**

If you were troubleshooting and wanted to look at SnapMirror log files, what is the path and directory to these files?

- A. root volume, /etc/snaplog/
- B. ootvolume, /etc/log/snaplog/
- C. root volume, /etc/log/
- D. destination volume, /etc/log/

**Correct Answer: C**

**Section:**



**QUESTION 53**

Which option of the snap restore command allows you to specify a different directory, as long as the directory already exists?

- A. snap restore-r
- B. snap restore-d
- C. snap restore -s
- D. snap restore-c

**Correct Answer: A**

**Section:**

**QUESTION 54**

Alter issuing the vol split volO/plexO volNew command:

- A. There are two unmirrored volumes, volO and volNew.
- B. There are two new plexes, plexO and plexNew.
- C. There is a new mirrored volume called volNew.
- D. There is a new plex called plexNew.

**Correct Answer: A**

**Section:**

**QUESTION 55**

Which one of the following would you use to change the NDMP password on the Open System SnapVault agent?

- A. svpasswd
- B. svpassword <new\_password>
- C. password <new\_password>
- D. password

**Correct Answer: B**

**Section:**

**QUESTION 56**

Which statement describes the results of the snapmirror resync command?

- A. Resynchronization finds the newest common snapshot shared by the two volumes or qtrees, and removes all newer information on the storage appliance on which the command is run.
- B. Resynchronization will cause the loss of all data written to the destination after the original base snapshot was made.
- C. Resynchronization will update the snapshot on the source filer
- D. Resynchronization will update the snapshot on the destination filer.

**Correct Answer: A**

**Section:**

**QUESTION 57**

The snapvault snap sched -x command can be used to:

- A. Schedule full backups
- B. Start initial backups
- C. Schedule incremental backups
- D. Specify platforms that can be backed up

**Correct Answer: C**

**Section:**

**QUESTION 58**

Which one of the following statements does not apply to Nearstore Personality?

- A. Converts the destination storage system to a Nearstore system
- B. This feature requires the nearstore\_option license on the destination storage system
- C. Provides increased concurrent streams when the storage systems are used as destinations for SnapMirror and SnapVault transfers
- D. The feature is available to all NetApp storage systems

**Correct Answer: D**

**Section:**

**QUESTION 59**

Which OSSV package would you use to perform an OSSV unattended installation?

- A. svunattendossv
- B. unattendpackager
- C. svconfigpackager
- D. None of the above

**Correct Answer: C**

**Section:**

**QUESTION 60**

A NearStore system or storage appliance can operate as a secondary and primary system at the same time.

- A. True
- B. False

**Correct Answer: B**

**Section:**

**QUESTION 61**

Node 1 in a clustered pair detects that it has lost connectivity to one of its disk shelves. Node 1 is still up, but it cannot see one of its disk shelves. However, the partner node, Node 2, can see all of Node 1's disk shelves. Which one of the following features will cause Node 2 to monitor this error condition for a period of three minutes (by default), and then forcibly take over Node 1 if the error condition persists?

- A. Takeover on panic
- B. Negotiated Fail Over
- C. Auto enable of giveback
- D. cf.quickloop.enable



**Correct Answer: B**

**Section:**

**QUESTION 62**

Which two supported methods would you use to restore data from a SnapVault for NetBackup Volume?

- A. Use the NetBackup Administration Console
- B. Use drag-and-drop technologies
- C. Use the snapvault restore Data ONTAP command
- D. Use the SnapRestore Data ONTAP service

**Correct Answer: A, B**

**Section:**

**QUESTION 63**

Which one of the following commands is used to specify the destination appliance(s) that are allowed to replicate (pull) data from the source appliance?

- A. options snapmirror.allow
- B. snapmirror release
- C. snapmirror initialize
- D. options snapmirror.access

**Correct Answer: D**

**Section:**

**QUESTION 64**

The snapvault snap create volume snapname command can be executed on the \_\_\_\_\_.

- A. secondary system only
- B. primary system only
- C. secondary or primary appliance systems
- D. open systems

**Correct Answer: C**

**Section:**

**QUESTION 65**

How can you 'throttle' Snap Vault updates and baseline transfers so that the primary or secondary is not transmitting data as fast as it can?

- A. Use the -k option in the snapvault start command.
- B. Use the snapvault throttle command.
- C. SnapVault doesn't support throttling of network throughput
- D. None of the above

**Correct Answer: A**

**Section:**





**QUESTION 66**

Which tool is available on a non-NetApp primary system to assist in starting or stopping Snap Vault, modifying NDMP settings, enabling debugging, and capturing trace files?

- A. Data Fabric Manaer
- B. Svconfigurator GUI
- C. svdebu.exe
- D. None of the above

**Correct Answer: B**

**Section:**

**QUESTION 67**

SnapVault snapshots for SnapLock volumes are deleted automatically according to the retention count set in the SnapVault schedule?

- A. True
- B. False

**Correct Answer: B**

**Section:**

**QUESTION 68**

How would you initiate a cluster takeover of filer2 from filer 1?

- A. filer2> cf giveback
- B. filer1> cf giveback
- C. filer2> cf takeover
- D. filer 1> cf takeover

**Correct Answer: D**

**Section:**

**QUESTION 69**

Which command allows you to access the other nodes console after a takeover has occurred?

- A. toggle
- B. switch
- C. partner
- D. takeover

**Correct Answer: C**

**Section:**

**QUESTION 70**

Which two commands could be used if the cf giveback command fails? (Choose 2)

- A. cf giveback -force
- B. cf giveback -f



- C. cf forceiveback -f
- D. cf forceiveback

**Correct Answer: B, D**

**Section:**

#### QUESTION 71

If an error message indicates that the cluster interconnect adapter itself is faulty, what is your corrective action?

- A. Check the cabling of the Channel A disk shelf loop and reseal and tighten any loose cables.
- B. Check the cabling of the Channel B disk shelf loop and reseal and tighten any loose cables.
- C. Re-cable the cluster interconnect adapter or replace the adapter if needed.
- D. Check for network activity.

**Correct Answer: C**

**Section:**

#### QUESTION 72

To remove a cluster setup, you must perform the following steps.

1. Type cf disable.
2. Unlicense cluster.
3. Remove partner entries for network interfaces from the /etc/rc file.
4. Halt and make sure the partner-sysid is blank.
5. Power down and remove the cluster interconnect card.
6. Perform steps 1-5 above on the partner node.

- A. True
- B. False

**Correct Answer: A**

**Section:**

#### QUESTION 73

You are troubleshooting a clustered failover problem at a customer site. The customer explains that both storage appliances were NFS mounted onto the Solaris host. You attempt to create a file on the NFS mount point for the inaccessible appliance, but you get the following error: NFS server filer2 not responding still trying. Symptoms:

- 1) When not in takeover mode, both storage appliances operate normally.
- 2) In takeover mode, the taken over node is not accessible on the network. You perform a 'cf giveback' and you can now create a file over NFS on both appliances.

What should you do first to resolve this issue?

- A. Replace the cluster interconnect card and run diagnostics 'all' to ensure proper system operation.
- B. Replace the NIC adapter.
- C. Use the cluster-config-checker.cgi to identify the problem and corrective action.
- D. Submit a new bug report.

**Correct Answer: C**

**Section:**

#### QUESTION 74



One method of configuring an interface for takeover is to enter ifconfig interface partner address at the command line. To make this configuration persistent across reboots, you must enter this information in the \_\_\_\_\_ file for each appliance.

- A. /etc/hosts
- B. /etc/rc
- C. /vol/vol0/home
- D. /vol/vol0/mount

**Correct Answer: B**  
**Section:**

#### QUESTION 75

A mirrored volume, volX, is composed of twelve 36-Gigabyte disks: six in volX/plex0, six in volX/plex1. A drive fails in plex1, but pool 1 contains only 72-Gigabyte spare disks. Data ONTAP will do which of the following?

- A. Choose a 72-Gigabyte disk and downsize it
- B. Halt after 24 hours of running in degraded mode
- C. Alert you that there are no 36-Gigabyte disks and wait for one to be inserted
- D. Stop any applications that are running

**Correct Answer: A**  
**Section:**

#### QUESTION 76

When cabling a standard storage appliance for SyncMirror, disk pool 1 volumes must be cabled to Fibre Channel adapter(s) located in what range of slots on the FAS960 appliance?

- A. Slots 2 through 5
- B. Slots 3 through 11
- C. Slots 3 through 8
- D. Slots 5 through 11

**Correct Answer: D**  
**Section:**

#### QUESTION 77

The required hardware to add SyncMirror to an existing Clustered Failover system consists of:

- A. Disk shelves and cluster interconnect
- B. Disk shelves, adapters and cabling
- C. Disk shelves and cabling
- D. Disk shelves and termination switches

**Correct Answer: B**  
**Section:**

#### QUESTION 78

The two copies of a SyncMirror volume are called \_\_\_\_\_. Each \_\_\_\_\_ is a physical copy of the same file system and consists of one or more RAID groups.

- A. plexes. plex
- B. volumes, volume
- C. qtrees. qtree
- D. snapshots, snapshot

**Correct Answer: A**

**Section:**

**QUESTION 79**

Which one of the following commands would you use to rejoin the 'mil' volume with the 'mir(l)' volume?

- A. vol mirror mir -v mir
- B. vol mirror mir -c mir(l)
- C. vol mirror mil -v mir(l)
- D. vol minor mil -n mir(l)

**Correct Answer: C**

**Section:**

**QUESTION 80**

You have determined that the failure to a MetroCluster is a disaster. Which step should you take?

- A. Ensure the surviving node is isolated from its partner.
- B. Force the surviving node to take over the functions of its partner.
- C. Remount the failed partner's volume.
- D. All of the above



**Correct Answer: D**

**Section:**

**QUESTION 81**

When Data ONTAP creates a weekly, nightly, or hourly snapshot, the value of n (as shown by the UNIX ls command) is adjusted for all the weekly, nightly, or hourly snapshots. The higher the value of n, the \_\_\_\_\_ the snapshot.

- A. newer
- B. older
- C. more important
- D. least important

**Correct Answer: B**

**Section:**

**QUESTION 82**

After you use SnapRestore to revert a volume to a specific snapshot,....

- A. snapshots that are older than the snapshot you used to revert are deleted.
- B. the storage appliance automatically performs a snapshot for that volume.

- C. snapshots that are more recent than the snapshot you used to revert are deleted.
- D. you must bring the volume back online.

**Correct Answer: C**

**Section:**

**QUESTION 83**

Which option of the snap restore command allows you to specify a different directory, as long as the directory already exists?

- A. snap restore -r
- B. snap restore -d
- C. snap restore -s
- D. snap restore -c

**Correct Answer: A**

**Section:**

**QUESTION 84**

Identify the two SnapMirror commands that are entered on the destination storage appliance.

- A. options snapmirror.access on
- B. snapmirror release
- C. snapmirror initialize
- D. snapmirror resync

**Correct Answer: C, D**

**Section:**

**QUESTION 85**

Identify the two SnapMirror commands that are entered on the source storage appliance.

- A. options snapmirror.access on
- B. snapmirror status
- C. snapmirror initialize
- D. snapmirror resync

**Correct Answer: A, B**

**Section:**

**QUESTION 86**

SnapMirror will automatically try to restart a transfer after \_\_\_\_\_.

- A. Ail initial transfer is interrupted
- B. A scheduled incremental update is interrupted
- C. A manual update is interrupted
- D. A transfer interrupted by reboot



**Correct Answer: B**

**Section:**

**QUESTION 87**

Which statement describes the results of the snapmirror resync command?

- A. Resynchronization finds the newest common snapshot shared by the two volumes or qtrees, and removes all newer information on the storage appliance on which the command is run.
- B. Resynchronization will cause the loss of all data written to the destination after the original base snapshot was made.
- C. Resynchronization will update the snapshot on the source filer
- D. Resynchronization will update the snapshot on the destination filer.

**Correct Answer: A**

**Section:**

**QUESTION 88**

Identify the two commands that could be entered on a system with a SnapMirror source. (Choose two.)

- A. snapmirror update
- B. snapmirror status
- C. snapmirror initialize
- D. options snapmirror.access all

**Correct Answer: B, D**

**Section:**



**QUESTION 89**

Which command creates a new SyncMirror aggregate, letting Data ONTAP select the disk drives?

- A. aggr create aggrX-d 12
- B. aggr create aggrX-m 12
- C. aggr mirror aggrX-m 12
- D. aggr mirror aggrX-n 12

**Correct Answer: B**

**Section:**

**QUESTION 90**

When using a Protection Manager policy to manage Open Systems SnapVault backups on a UNIX server, which three are valid objects to include in the data set? (Choose three.)

- A. a file
- B. A qtree
- C. A directory
- D. The entire client

**Correct Answer: A, C, D**

**Section:**

**QUESTION 91**

Which two choices are used to configure a semi-synchronous SnapMirror relationship? (Choose two.)

- A. throttle
- B. visibility interval
- C. outstanding=3s in DOT 7.2
- D. using option semi-sync in DOT 7.3 and higher

**Correct Answer: C, D**

**Section:**

**QUESTION 92**

In a fabric-attached MetroCluster, a 'site failure' is described as a \_\_\_\_\_.

- A. failure of the Inter-Switch-Links (ISL)
- B. failure of the interconnect cable
- C. complete failure of the primary controller and disk shelves
- D. malfunction of the Fibre Channel adapter on the cluster node

**Correct Answer: C**

**Section:**

**QUESTION 93**

A volume is SnapMirrored hourly. You revert the volume using a snapshot that was created two days ago. Which command continues the relationship?

- A. SnapMirror initialize
- B. SnapMirror quiesce
- C. SnapMirror resume
- D. SnapMirror resync
- E. SnapMirror update.

**Correct Answer: D**

**Section:**

**QUESTION 94**

Which is true of the SnapVault backup of NetApp storage system?

- A. The file is the basic unit for SnapVault backup destination.
- B. The qtree is the basic unit for SnapVault backup destination
- C. The volume is the basic unit of SnapVault backup destination.
- D. The directory is the basic unit for SnapVault backup destination.

**Correct Answer: B**

**Section:**

**QUESTION 95**

Which command disables client access to Snapshot copies on a volume called flexvol1?

- A. cifs shares-change flexvol1 -nosnap
- B. snap access flexvol1 off
- C. vol options flexvol1 nosnapdir on
- D. vol options flexvol1 snapdir off
- E. vol options flexvol1 snapdir on

**Correct Answer: C**

**Section:**

**QUESTION 96**

Protection Manager is an optional component of the Operations Manager that can be licensed and accessed from the NetApp Management Console (NMC).

- A. True
- B. False

**Correct Answer: A**

**Section:**

**QUESTION 97**

In a fabric-attached MetroCluster, hardware disk ownership by a node is determined by which two factors (Choose two.)

- A. the system ID of the controller
- B. what types of ports are on the HBA
- C. the location of the HBA or onboard port
- D. what types of disks are used in the cluster
- E. how the disks are configured by the administrator
- F. which switch ports the controller and disks are connected to



**Correct Answer: C, F**

**Section:**

**QUESTION 98**

After issuing the aggr split aggr0/plex0 aggrNew command \_\_\_\_\_.

- A. there is a new plex called aggrNew
- B. there are two new plexes, plex0 and plexNew
- C. there is a new mirrored aggregate called aggrNew
- D. there are two unmirrored aggregates, aggr0 and aggrNew
- E. flexible volumes are evenly split between aggr0 and aggrNew

**Correct Answer: D**

**Section:**

**QUESTION 99**

The SnapVault secondary system allows you to keep a separate schedule of Snapshot copies from your primary system.



- A. True
- B. False

**Correct Answer: A**

**Section:**

**QUESTION 100**

The OSSV agent on the primary system listens to TCP port 10000 for all SnapVault communications.

- A. True
- B. False

**Correct Answer: B**

**Section:**

**QUESTION 101**

What is the maximum number of disk shelves per loop in a fabric-attached MetroCluster?

- A. 1
- B. 2
- C. 4
- D. 6

**Correct Answer: B**

**Section:**



**QUESTION 102**

An aggregate is composed of twelve 36-Gigabyte disks. A drive fails and only 72-Gigabyte spare disks are available Data ONTAP will then perform what action?

- A. chooses a 72-Gigabyte disk and use it as is
- B. chooses a 72-Gigabyte disk and right-size it
- C. halts after 24 hours of running in degraded mode
- D. alerts you that there are no 36-Gigabyte disks and wait for one to be inserted

**Correct Answer: B**

**Section:**

**QUESTION 103**

To restore a qtree protected with SnapVault from the secondary storage system to the primary storage system, you can \_\_\_\_\_. (Choose two.)

- A. restore to a non existing qtree, with DOT 7. 2
- B. add the new qtree to the primary storage system with DOT 7.2
- C. overwrite the existing qtree on the primary storage system with DOT 7.3
- D. delete the existing qtree from the secondary storage system with DOT 7.3

**Correct Answer: A, C**

**Section:**

**QUESTION 104**

Which system is recommended as a secondary system for SnapVault?

- A. IS1200
- B. DataFort
- C. NearStore VTL
- D. FAS with NearStore license

**Correct Answer: D**

**Section:**

**QUESTION 105**

Which are three valid data protection solutions? (Choose three.)

- A. SnapVault to Volume SnapMirror
- B. SnapVault to Volume SnapMirror to SnapVault
- C. SnapVault to Volume SnapMirror to Volume SnapMirror
- D. Volume SnapMirror to SnapVault

**Correct Answer: A, C, D**

**Section:**

**QUESTION 106**

A SnapVault secondary volume can contain up to \_\_\_\_\_ Snapshot copies for data protection.

- A. 125
- B. 251
- C. 255
- D. Depends on capacity and number of disk drives

**Correct Answer: B**

**Section:**

**QUESTION 107**

Which SyncMirror command mirrors an existing unmirrored aggregate where Data ONTAP selects the disk drives?

- A. aggr mirror aggrY
- B. aggr mirror aggrY-m
- C. aggr mirror aggrY-d 12@ 144
- D. aggr mirror aggrY-m 12@ 144

**Correct Answer: A**

**Section:**

**QUESTION 108**

For DOT 7.3 and higher, which is true about SnapVault or Open Systems SnapVault and deduplication?

- A. Deduplication is not supported with SnapVault/ Open Systems SnapVault.
- B. A deduplication schedule can be enabled for SnapVault secondary systems.
- C. Deduplication is recommended for SnapVault primary systems because it replicates data in a deduplicated state
- D. When enabled on the secondary system, deduplication runs after each SnapVault / Open Systems SnapVault transfer.

**Correct Answer: D**

**Section:**

**QUESTION 109**

XML-files in /etc/stats/preset are used together with the sysstat command to customize the output.

- A. True
- B. False

**Correct Answer: B**

**Section:**

**QUESTION 110**

Which objects can be restored by a single SnapRestore command? (Choose three)

- A. file
- B. LUN
- C. qtree
- D. volume
- E. directory

**Correct Answer: A, B, D**

**Section:**

**QUESTION 111**

Which three statements apply to NearStore Personality license? (Choose three.)

- A. it increases the storage capacity.
- B. it converts the destination storage system to a NearStore system.
- C. It requires the nearstore\_option license on the destination storage system.
- D. it provides increased concurrent streams when the storage systems are used as destinations for SnapMirror and SnapVault transfers.

**Correct Answer: B, C, D**

**Section:**

**QUESTION 112**

Refer to the exhibit.



```
Object: resource_headroom_cpu
Instance: CPU_sti2520-213
Start-time: 2/9/2023 16:06:27
End-time: 2/9/2023 16:06:27
Scope: sti2520-213
```

Counter	Value
ewma_hourly	-
current_ops	4376
current_latency	37719
current_utilization	86
optimal_point_ops	2573
optimal_point_latency	3589
optimal_point_utilization	72
optimal_point_confidence_factor	1

Based on the CPU headroom statistics provided for one node in the cluster, what is the available performance capacity?

- A. 72
- B. -14
- C. 86
- D. 14

**Correct Answer: B**

**Section:**

#### QUESTION 113

What predefined SVM role provides management for NDMP operations?

- A. vsadmin-protocol
- B. wsadmin-voluma
- C. vsadmin-readonly
- D. vsadmin-backup

**Correct Answer: D**

**Section:**

#### QUESTION 114

Which two options must be configured to use tamperproof snapshots? (Choose two.)

- A. Multi Admin Verification
- B. Compliance clock
- C. SnapLock aggregate
- D. SnapLock license

**Correct Answer: B, D**

**Section:**

#### QUESTION 115

Which ONTAP policy type defines the kind of traffic that is supported for a LIF?

- A. QoS



- B. Service
- C. Failover
- D. Export

**Correct Answer: B**

**Section:**

**QUESTION 116**

What is the default FabricPool tiering policy for a newly created volume?

- A. auto
- B. snapshot-only
- C. all
- D. none

**Correct Answer: B**

**Section:**

**QUESTION 117**

After configuring an ONTAP cluster for SAN access, the administrator is notified that the cluster nodes are connected to separate fc switches. Given the following output:

```
san_clus::*> fcp adapter show -fields switch-port
(network fcp adapter show)
node      adapter  switch-port
-----
node-01   1a       sw-SAN-A:0
node-01   1b       -
node-01   1c       -
node-01   1d       sw-SAN-A:4
node-02   1a       sw-SAN-B:4
node-02   1b       -
node-02   1c       -
node-02   1d       sw-SAN-B:0
8 entries were displayed.
```

What action will correct the redundancy issue?

- A. swap cable at node-01 / 1d with cable at node-02 / 1d
- B. swap cable at node-01 / 1b with cable at node-02 / 1b
- C. swap cable at node-01 / 1a with cable at node-01 / 1d
- D. swap cable at node-01 / 1c with cable at node-02 / 1c

**Correct Answer: A**

**Section:**

**QUESTION 118**

What should be done to non-distruptively correct capacity imbalances in a FlexGroup?

- A. Convert the FlexGroup to a FlexVol
- B. Move the FlexGroup to a different aggregate
- C. Move the constituent to a new aggregate
- D. Perform a rebalance of the FlexGroup constituents



**Correct Answer: D**

**Section:**

**QUESTION 119**

What are two properties of the NVMe protocol? (Choose two.)

- A. LUNs are mapped to Initiator groups.
- B. Namespaces are mapped to subsystems.
- C. NQNs are added to namespaces.
- D. NQNs are added to subsystems.

**Correct Answer: B, D**

**Section:**

**QUESTION 120**

What two actions occur automatically if the system detects ransomware activity when Autonomous Ransomware Protection is enabled? (Choose two.)

- A. Block user access
- B. Email the administrators
- C. Create a new snapshot
- D. Offline the suspicious volume

**Correct Answer: B, C**

**Section:**

**QUESTION 121**

An administrator enables the NFS protocol on an SVM and creates a volume to be used as a datastore in a VMware environment. After a rescan, the volume is not visible on the ESXi hosts. What must the administrator validate to resolve this problem?

- A. Export policy
- B. Name service
- C. Security style
- D. Access control

**Correct Answer: A**

**Section:**

**QUESTION 122**

An administrator is troubleshooting failed cluster peering between three ONTAP clusters for cascaded SnapMirror replication. Cluster1 is peered to Cluster2, Cluster2 is peered to Cluster3. Cluster1 and Cluster3 do not have an available route to reach each other. Cluster2 can route to both Cluster1 and Cluster3 using dedicated and separate intercluster LIFs. What ONTAP network component must be configured on Cluster2 to resolve this issue?

- A. IPspaces
- B. Broadcast domains
- C. Failover groups
- D. Subnets



**Correct Answer: A**

**Section:**

**QUESTION 123**

Which RDMA protocol does ONTAP support with NFS using TCP?

- A. IWARP
- B. FC/NVMe
- C. RoCE
- D. Infiniband

**Correct Answer: C**

**Section:**

**QUESTION 124**

Due to the sensitive nature of AutoSupport messages, what transport protocol should a storage administrator configure?

- A. HTTPS
- B. HTTP
- C. SFTP
- D. SMTP

**Correct Answer: A**

**Section:**

**QUESTION 125**

Which policy type determines access to volumes for NFS within ONTAP?

- A. Service
- B. Tiering
- C. Export
- D. Snapshot

**Correct Answer: C**

**Section:**

**QUESTION 126**

When using SAN protocols, what is the maximum number of nodes that can be added to a four node cluster?

- A. 4
- B. 24
- C. 8
- D. 12

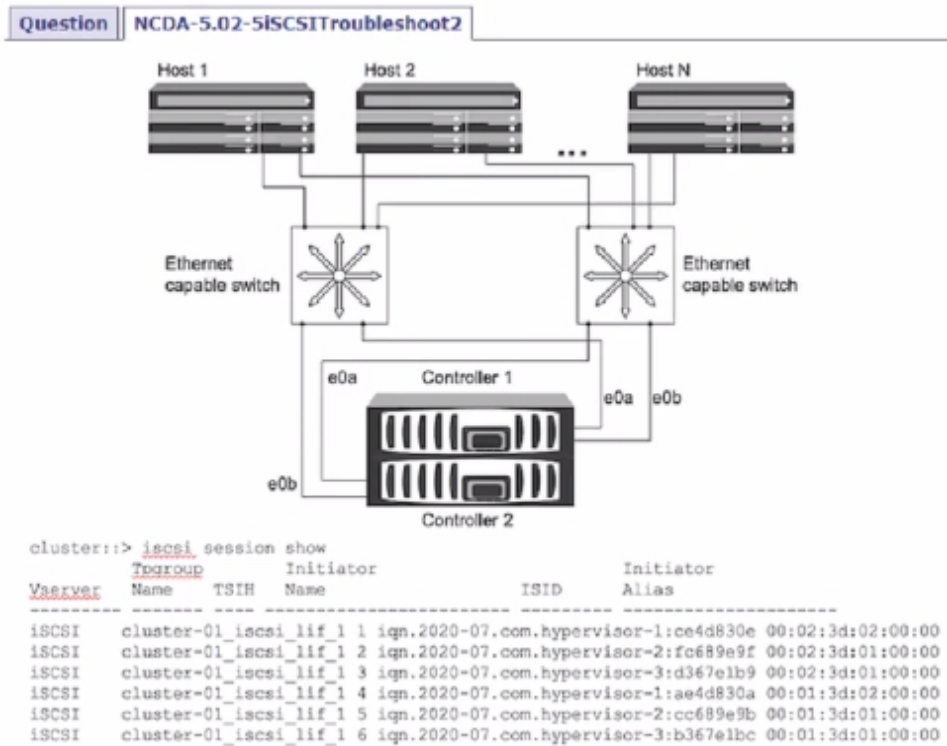
**Correct Answer: C**

**Section:**



### QUESTION 127

Refer to the exhibit.



A company has three servers that are using the iSCSI protocol to connect to a two node NetApp ONTAP cluster. The server administrator notices that half of the paths are down. The administrator checks the ONTAP cluster and notices the servers are logging into only the first controller.

Which two steps should the administrator take to troubleshoot the issue? (Choose two.)

- A. Verify that each server has been rebooted
- B. Verify that the controller has not been taken over
- C. Verify that the iSCSI data protocol has been enabled on the ports
- D. Verify that the LIFs are up

**Correct Answer: B, C**

**Section:**

### QUESTION 128

Which ONTAP feature will report real-time inactive data on NAS volumes?

- A. Foreign LUN Import
- B. Quality of Service
- C. FabricPool
- D. File System Analytics

**Correct Answer: D**

**Section:**

### QUESTION 129

Which tool can be used to deploy Cloud Volumes ONTAP?



- A. CloudCheckr
- B. Active IQ
- C. Conflg Advisor
- D. BlueXP

**Correct Answer: D**  
**Section:**

**QUESTION 130**

What NetApp tool includes Crafana dashboards to display ONTAP performance, capacity and hardware metrics?

- A. ONTAP System Manager .
- B. Unified Manager
- C. Digital Advisor
- D. NetApp Harvest

**Correct Answer: D**  
**Section:**

**QUESTION 131**

What are two ways that an administrator can define a new consistency group? (Choose two.)

- A. SANtricity
- B. ONTAP ReST API
- C. Active IQ Unified Manager
- D. System Manager

**Correct Answer: B, D**  
**Section:**

**QUESTION 132**

An administrator wants to scale out storage performance for real time read-intensive workloads across multiple controllers. Which two NetApp ONTAP features accomplish this task? (Choose two.)

- A. FlexCache
- B. FlexGroup
- C. FlexVol
- D. FlexClone

**Correct Answer: A, B**  
**Section:**

**QUESTION 133**

An administrator has an existing FlexVol accessed by Linux hosts over NFSv3. A CIFS share to the same FlexVol was created for SMB access. Windows users are unable to view the share. CIFS share permissions allow for read and write access for the Windows users.

What does the administrator need to modify to allow SMB access?



- A. Security style
- B. Junction paths
- C. Export policies
- D. User mapping

**Correct Answer: A, B**

**Section:**

**QUESTION 134**

Which two Interfaces can an administrator use to disable unused Ethernet ports on an ONTAP cluster? (Choose two.)

- A. System Manager
- B. Active IQ Unified Manager
- C. Command line Interface
- D. Active IQ Conflg Advisor

**Correct Answer: A, C**

**Section:**

**QUESTION 135**

Which two protocols provide NAS access for home directories on an SVM? (Choose two.)

- A. SMB
- B. NVMe/TCP
- C. NFS
- D. iSCSI
- E. FC

**Correct Answer: A, C**

**Section:**

**QUESTION 136**

Which two networking components must be configured to failover LIFs across subnets? (Choose two.)

- A. BGP
- B. LACP
- C. VLAN
- D. VIP

**Correct Answer: A, D**

**Section:**

**QUESTION 137**

Which ONTAP feature will allow WORM and non-WORM volumes in the same aggregate?

- A. NetApp Aggregate Encryption
- B. Unified Aggregate



- C. SnapLock Enterprise
- D. SnapLock Compliance

**Correct Answer: B**

**Section:**

**QUESTION 138**

In ONTAP 9.12, what allows an S3 permission to read existing NFS files as objects?

- A. Security certificate
- B. SMB share
- C. NFS export
- D. User mapping

**Correct Answer: D**

**Section:**

**QUESTION 139**

After an unexpected ONTAP node reboot, an administrator notices that the NAS data LIFs are not on their home port.

Which UF configuration would modify this behavior?

- A. -auto-revert
- B. -home-port
- C. -service-policy
- D. -failover-group

**Correct Answer: A**

**Section:**

**QUESTION 140**

Which ONTAP feature discards identical blocks and replaces them with references to a single shared block?

- A. Compression
- B. Deduplication
- C. Thin provisioning
- D. Compaction

**Correct Answer: B**

**Section:**

**QUESTION 141**

An administrator is troubleshooting connection problems with ONTAP System Manager. The cluster management L1F is on port a0a-33. Web clients on VLAN 33 are able to access System Manager. Web clients on other subnets are unable to reach System Manager.

Which network component should the administrator modify?

- A. Route
- B. Interface group



- C. VLAN
- D. IPspace

**Correct Answer: A**

**Section:**

**QUESTION 142**

Which method should an administrator use to make sure all data in a local tier cannot be read if the underlying device is repurposed, returned, misplaced, or stolen?

- A. Self-encrypting drives
- B. Multi-admin authentication
- C. SMB encryption
- D. SnapLock volumes

**Correct Answer: A**

**Section:**

**QUESTION 143**

Which native ONTAP feature allows an administrator to block a Windows user from writing files with the .crypto extension?

- A. FPolicy
- B. Kerberos
- C. IP-SEC
- D. FIPS

**Correct Answer: A**

**Section:**

**QUESTION 144**

Refer to the exhibit.

```
clusterA:~> qtree show -qtree sea -fields export-policy
vserver volume  qtree export-policy
-----
blue  aquaman1 sea  sea

clusterA:~> export-policy rule show -policyname sea -fields clientmatch,rerule,rwrule,superuser
vserver policyname ruleindex clientmatch  rerule rwrule superuser
-----
blue  sea  1  140.70.10.22 sys  sys  sys

clusterA:~> vserver export-policy check-access -vserver blue -volume aquaman1 -qtree
sea -client-ip 140.70.10.22 -authentication-method sys -protocol nfs3 -access-type
read-write

Path                Policy      Policy      Policy      Rule
-----
/                   default    blue_root  volume      1 read
/aquaman1           Aquaman    aquaman1   volume      0 denied
2 entries were displayed.

clusterA:~>
```

An administrator creates a new qtree and an associated export policy. When the client tries to connect, they are denied. What should the administrator do?

- A. Update the superuser entry to 'any' in the volume export-policy



- B. Replace the IP with the client hostname in the qtree export policy
- C. Add the new host IP with at least read access to the volume export-policy
- D. Add a new rule in the qtree export policy in allow read-write access for the new host

**Correct Answer: D**

**Section:**

**QUESTION 145**

When creating an S3 bucket using System Manager, ONTAP uses which default performance service level for an AFF?

- A. Extreme
- B. Value
- C. Custom
- D. Performance

**Correct Answer: A**

**Section:**

**QUESTION 146**

Which workload type supports Autonomous Ransomware Protection?

- A. NAS
- B. Object
- C. VMFS
- D. SAN

**Correct Answer: A**

**Section:**

**QUESTION 147**

Which two conditions would prevent an ONTAP upgrade? (Choose two.)

- A. Established iSCSI sessions
- B. Offline volume
- C. Failed disk
- D. Offline LIF
- E. Established NFS sessions

**Correct Answer: B, C**

**Section:**

**QUESTION 148**

Which two products can be used to administer Cloud Volumes ONTAP? (Choose two.)

- A. Cloud Data Sense
- B. System Manager
- C. NetApp BlueXP



D. CloudCheckr

**Correct Answer: B, C**

**Section:**

**QUESTION 149**

Which two tools should an administrator use to manage NVMe namespaces? (Choose two.)

- A. SAN Host Tools
- B. Config Advisor
- C. System Manager
- D. ONTAP CLI

**Correct Answer: C, D**

**Section:**

**QUESTION 150**

Which ONTAP authentication method must be added to enable two-factor authentication to an existing administrator's SSH login?

- A. domain
- B. publickey
- C. nsswtch
- D. cert

**Correct Answer: B**

**Section:**

**QUESTION 151**

Exhibit.



Op	Size	Total	Failed	Latency (ms)			Throughput
				min	max	avg	
PUT	4KB	50000	0	273	10500	719	277.3MB
GET	4KB	5000000	0	4	9591	36	46.46MB
GET	8KB	5000000	9	5	10021	37	123.3MB
GET	32KB	5000000	0	7	7889	60	475.3MB
GET	256KB	2125276	0	21	7838	450	530.7MB

An administrator has a NetApp AFF cluster with Cloud Tiering enabled on all data using the snapshot-only policy. When restoring files, users report slow response times. What is the highest latency seen during restore?

- A. 9591
- B. 10500
- C. 10021
- D. 7889

**Correct Answer: C**

**Section:**