

VCE.210-010.by.Ken.81q

Number: 210-010
Passing Score: 800
Time Limit: 120
File Version: 1.0

Exam Code: 210-010

Exam Name: VCE Vblock System Deployment and Implementation – Core



Exam A

QUESTION 1

Which two steps are required to complete a Cisco UCS Smart Call Home registration on a Vblock System? (Choose two.)

- A. After receiving the e-mail response from Cisco, click the link in the e-mail to complete registration for Smart Call Home.
- B. Select "Send System Inventory Now" in UCSM.
- C. Configure UCSM to send periodic system inventory messages.
- D. Configure the SNMP trap destination.

Correct Answer: A, B

Section:

QUESTION 2

Which port is used for communication between EMC Secure Remote Support (ESRS) and the Policy Manager?

- A. 443
- B. 5414
- C. 8090
- D. 8443

Correct Answer: D

Section:

QUESTION 3

You are backing up a Cisco UCS configuration.

Which parameter should you select to retain assigned vHBAs, WWPNs, vNICs MACs, WWNNs, and UUIDs?

- A. Retain Identities
- B. Preserve Identities
- C. Include Identities
- D. Copy Identities

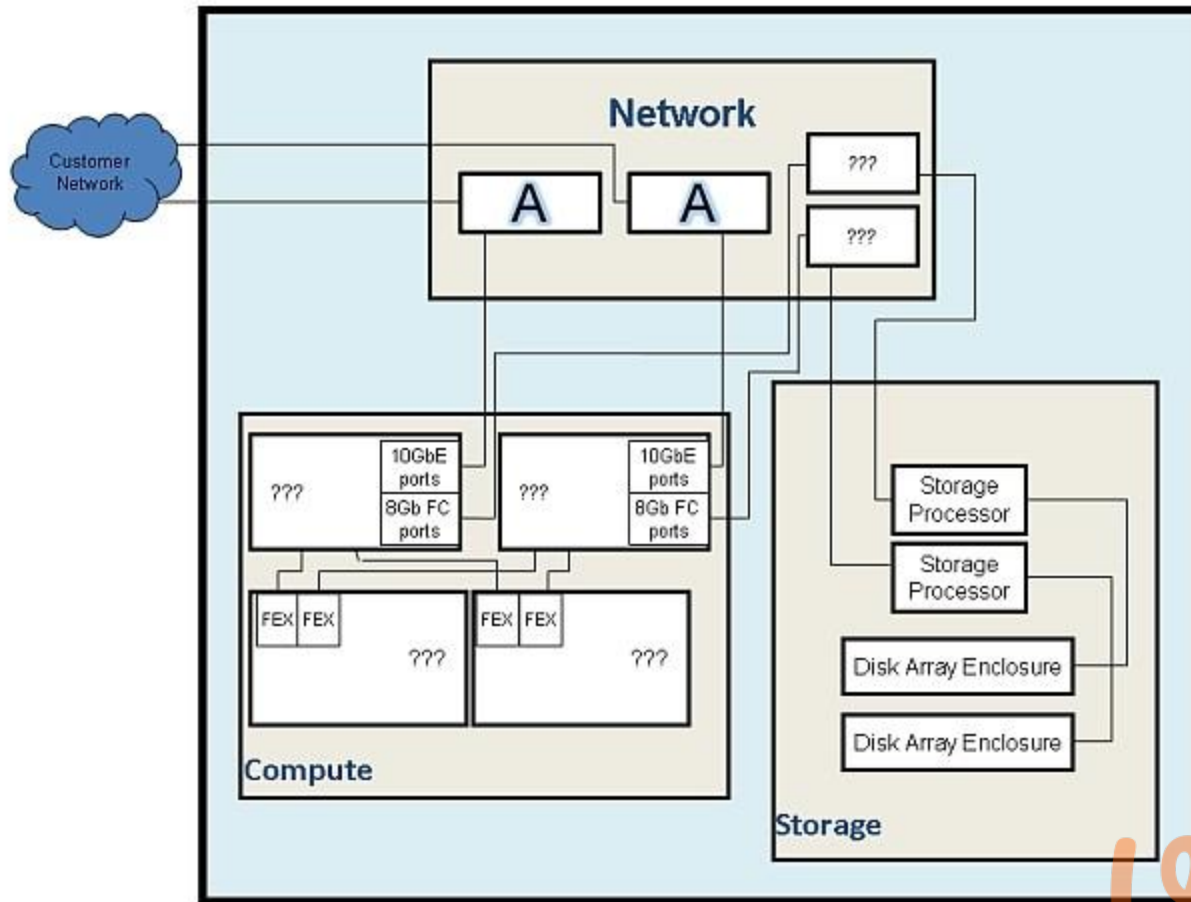
Correct Answer: B

Section:

QUESTION 4

-- Exhibit --





-- Exhibit --

Click the Exhibit button.

Referring to the exhibit, which Vblock System 320 component is "A"?

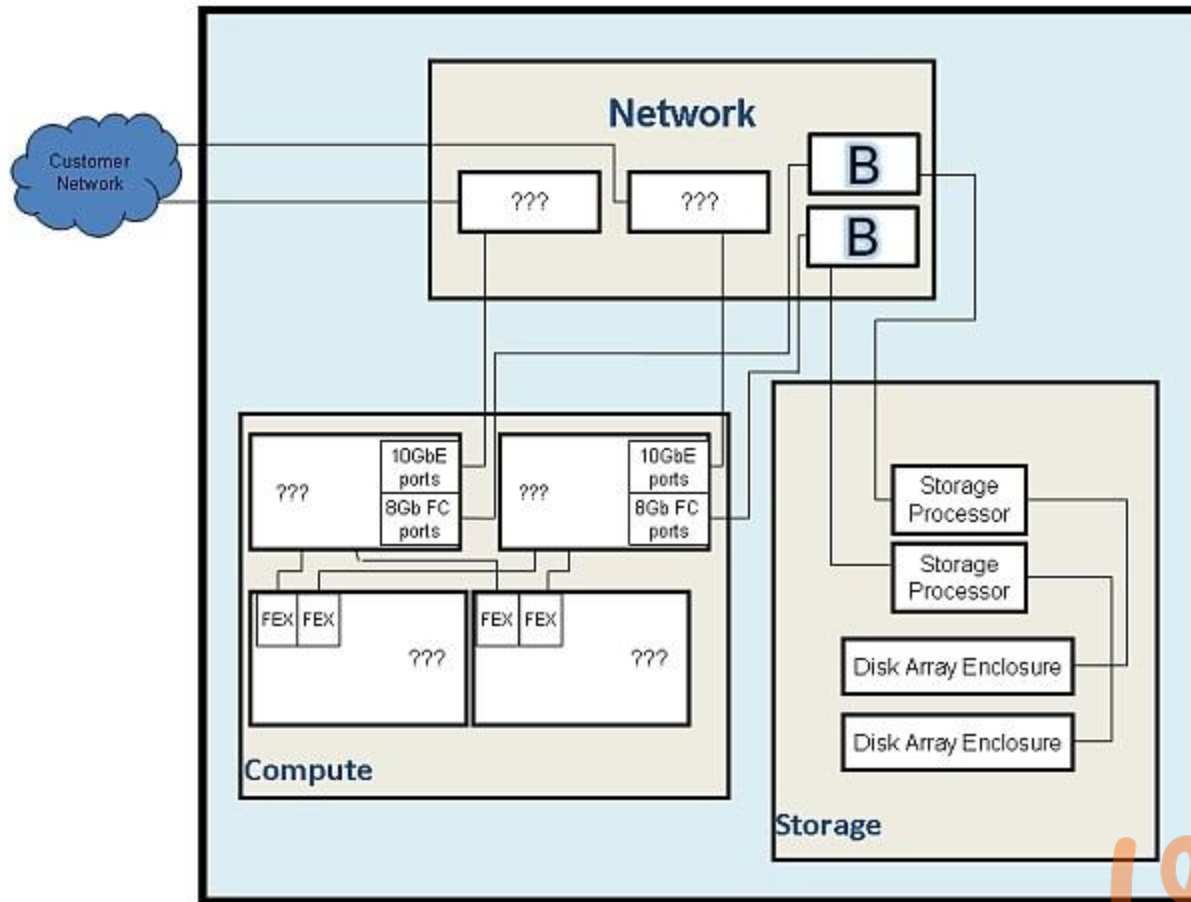
- A. Cisco Nexus 5000 Series switch
- B. Cisco Chassis containing blade servers
- C. UCS fabric interconnect
- D. Cisco MDS switches

Correct Answer: A

Section:

QUESTION 5

-- Exhibit --



-- Exhibit --

Click the Exhibit button.

Referring to the exhibit, which Vblock System 320 component is "B"?

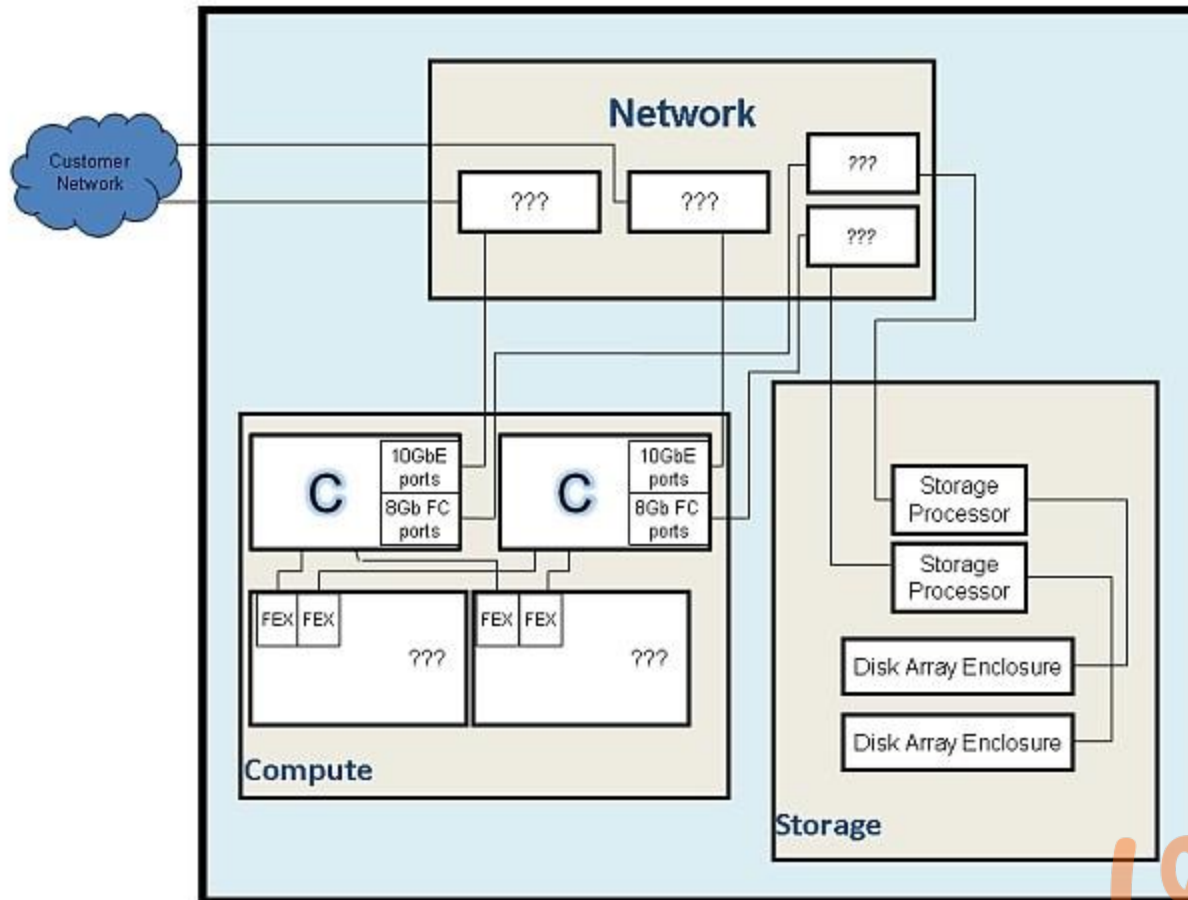
- A. Cisco Nexus switch
- B. Cisco UCS fabric interconnect
- C. Cisco MDS switch
- D. Cisco fabric extender

Correct Answer: C

Section:

QUESTION 6

-- Exhibit --



-- Exhibit --

Click the Exhibit button.

Referring to the exhibit, which Vblock System 320 component is "C"?

- A. Cisco Nexus Switch
- B. Cisco MDS Switch
- C. Cisco UCS fabric interconnect
- D. Cisco fabric extender

Correct Answer: C

Section:

QUESTION 7

In addition to the Logical Configuration Survey (LCS), which document is required prior to manufacturing a Vblock System 720?

- A. Configuration Reference Guide
- B. VCE change control form
- C. VCE Vblock Systems Release Certification Matrix
- D. EMC bin file request form

Correct Answer: D

Section:

QUESTION 8

For bare metal deployments, which statement ensures VCE is able to provide reasonable-effort support?

- A. The ratio of bare metal to virtualized hosts cannot be more than 40 percent.
- B. A minimum of five virtualized hosts must be enabled.
- C. Bare metal workloads are run on separate physical spindles, disk groups, and pools.
- D. Systems cannot include hypervisor technologies other than VMware.

Correct Answer: C

Section:

QUESTION 9

EMC Secure Remote Support (ESRS) is deployed in the Advanced Management Pod (AMP).

Which three hardware components are monitored by this call home software? (Choose three.)

- A. EMC VNXe
- B. Cisco MDS 9148 switch
- C. Cisco Nexus 1000V switch
- D. EMC VMAX
- E. Cisco Catalyst 3650 switch

Correct Answer: A, B, D

Section:

QUESTION 10

As a system administrator, which actions are performed using VCE Vision Intelligent Operations software? (Choose two.)

- A. Monitor the health of (and events related to) Vblock System components.
- B. Validate that the Vblock System components comply with a release certification matrix.
- C. Perform initial configuration and initialization of Vblock System element managers.
- D. Deploy Advanced Management Pod (AMP) images from Virtual Center.

Correct Answer: A, B

Section:

QUESTION 11

Connectivity is required to manage the Vblock System 720 storage array in the Advanced Management Pod (AMP).

Which two types of switches would be used? (Choose two.)

- A. Cisco Catalyst 3750
- B. Cisco Nexus 5596UP
- C. Cisco MDS 9148
- D. Cisco Catalyst 3560

Correct Answer: B, C

Section:



QUESTION 12

You deploy EMC Ionix UIM/P in a Vblock System.

Which two prerequisites must be met before proceeding with deployment of the appliance? (Choose two.)

- A. vCenter Host Profiles configured
- B. static IP from the logical configuration survey
- C. EMC Ionix UIM/P OVF
- D. DHCP server

Correct Answer: B, C

Section:

QUESTION 13

What is a new feature of VMware vSphere 5.1?

- A. ESXi host
- B. vCenter Single Sign-On
- C. VMware Update Manager
- D. VMware Storage vMotion

Correct Answer: B

Section:

QUESTION 14

Which type of ODBC (DSN) connection is required for VMware Update Manager?

- A. Microsoft SQL 64 bit
- B. Microsoft SQL User DSN
- C. Microsoft SQL 32 bit DSN
- D. Microsoft File DSN

Correct Answer: C

Section:

QUESTION 15

What is the boot LUN size for an ESXi installation on a Vblock System 320?

- A. 10 GB
- B. 20 GB
- C. 40 GB
- D. 60 GB

Correct Answer: B

Section:

Explanation:

Accurate.



QUESTION 16

You are deploying a Vblock System and want to install recent patches to the ESXi host(s). Which VCE recommended method would you use to complete this task?

- A. esxcfg
- B. VMware Remote CLI power shell
- C. vicfg
- D. VMware Update Manager

Correct Answer: D

Section:

QUESTION 17

According to VCE, which three statements are regarded as best practice for vMotion deployment? (Choose three.)

- A. On each host, configure a VMkernel port group for vMotion.
- B. VMKernel port must be on the virtual machine management network.
- C. Use one dedicated GbE adapter for vMotion.
- D. Ensure that virtual machines have access to the same subnets on source and destination hosts.
- E. Use jumbo frames configured through QoS.

Correct Answer: A, D, E

Section:

QUESTION 18

You are deploying a Vblock System and you are unable to log in to the vCenter server using single sign-on (SSO). Which two steps should be verified? (Choose two.)

- A. Log in credentials are correct.
- B. vCenter server is licensed.
- C. vCenter services are started.
- D. The single sign-on server is licensed.

Correct Answer: A, C

Section:

QUESTION 19

What information would be obtained about vmfs data stores under the Summary tab while connected to a host in vSphere client? (Choose two.)

- A. multipathing status for the data store
- B. snapshots
- C. hardware acceleration status events
- D. alarm actions status for the data store

Correct Answer: C, D

Section:



QUESTION 20

What is the VCE recommended approach on configuring the vCenter NTP server settings?

- A. Configure the NTP settings through the VMware client GUI.
- B. Configure the NTP settings through scripts using the vSphere PowerCLI.
- C. Configure the NTP settings through the Web client.
- D. Configure the NTP settings through the VMware Update Manager.

Correct Answer: B

Section:

QUESTION 21

What are three core VMware components of a Vblock System? (Choose three.)

- A. vCenter server
- B. Update Manager
- C. ESRS
- D. ESX
- E. ESXi

Correct Answer: A, B, E

Section:

QUESTION 22

Which three configuration parameters are available to create a virtual machine when performing a typical installation? (Choose three.)

- A. data store location
- B. virtual disk size
- C. virtual machine hardware version
- D. primary network connection
- E. number of vCPUs

Correct Answer: A, B, D

Section:

QUESTION 23

You want to use vMotion to move the entire state of a running virtual machine between hosts over a dedicated vMotion network without service interruption.

What are two vMotion prerequisites before performing this task? (Choose two.)

- A. Verify that you have at least two ESXi hosts that are licensed for vMotion or are in evaluation mode
- B. Verify that you have running instances of vCenter Server and the ESXi hosts are in maintenance mode.
- C. Verify that hosts have access to shared storage of a supported type, such as Fibre Channel, iSCSI, or NAS
- D. Verify that the source and destination hosts have specific Intel x86 CPUs.

Correct Answer: A, C

Section:

The logo for Vdumps.com, featuring a stylized orange 'V' followed by the word 'dumps' in a grey, lowercase, sans-serif font.

QUESTION 24

What are two expected results of the VMware vMotion test plan conducted by VCE at the completion of a Vblock System build? (Choose two.)

- A. No unexpected errors or faults occur.
- B. The secondary VSM takes over from the primary VSM.
- C. There will be minimal packet loss during vMotion.
- D. Traffic fails over to the redundant port channel each time a port-channel is disabled.

Correct Answer: A, C

Section:

QUESTION 25

What is a valid method to install EMC PowerPath/VE onto a VMware ESXi host?

- A. Install using vCenter Update Manager (VUM).
- B. Install from the PowerPath/VE vCenter plug-in.
- C. Install remotely from the array management server.
- D. Install using the rpowermt command.

Correct Answer: A

Section:

QUESTION 26

What is a reason to use EMC Powerpath/VE on a Vblock System 720?

- A. to provision storage from the vCenter client
- B. to optimize load balancing on the storage fabric
- C. to add additional vStorage APIs for Array Integration (VAAI) features
- D. to optimize storage caching features on the ESXi host

Correct Answer: B

Section:

QUESTION 27

Where does a system administrator configure virtual machine affinity rules in VMware vCenter?

- A. HA settings
- B. DPM settings
- C. virtual machine settings
- D. DRS settings

Correct Answer: D

Section:

QUESTION 28

What are three possible results when enabling vSphere High Availability (HA)? (Choose three.)



- A. Virtual machines will migrate from one host to another as resource availability changes.
- B. An ESXi host fails and some of the virtual machines restart on other hosts in the cluster.
- C. A virtual machine fails and automatically restarts on another host in the cluster.
- D. VMware vSphere Fault Tolerance will be enabled.
- E. A virtual machine is unable to boot due to limited cluster resources.

Correct Answer: B, C, E

Section:

QUESTION 29

Using PowerPath/VE, which two details are expected outputs from the `rpowermt display dev=all` command? (Choose two.)

- A. logical device ID
- B. serial number for the connected storage array
- C. initiator ID
- D. Fibre Channel switch details

Correct Answer: A, B

Section:

QUESTION 30

A host is a member of a high availability (HA) cluster in vCenter. There is a failure of a B-series blade in a Vblock System 720.

What are three ways that vCenter is impacted? (Choose three.)

- A. vCenter will recognize the host's absence and high availability will restart the virtual machines on the remaining hosts depending on resource constraints.
- B. The vCenter virtual machine will restart on another available host, there will be no impact to production data on the Vblock.
- C. vCenter will use Distributed Resource Scheduling (DRS) to vMotion virtual machines based on the reduced resources available.
- D. The outage will require remediation to restore vCenter functionality.
- E. The amount of resources available to the cluster will be reduced until the outage is restored.

Correct Answer: A, C, E

Section:

QUESTION 31

What are three purposes of the master host in a vSphere high availability (HA) cluster? (Choose three.)

- A. to monitor the state of slave hosts
- B. to monitor the power state of all protected virtual machines
- C. to manage the lists of cluster hosts
- D. to migrate virtual machines when a vMotion is requested
- E. to install the HA agent on newly added hosts

Correct Answer: A, B, C

Section:

QUESTION 32

You observe that a host in a high availability (HA) cluster shows as disconnected within vCenter. The virtual machines running on the disconnected host have not automatically restarted as expected.

What is the cause of this problem?

- A. NTP was not configured on the HA cluster.
- B. vMotion is not enabled on the cluster hosts.
- C. The disconnected host was the master host.
- D. The host is still exchanging a data store heartbeat.

Correct Answer: D

Section:

QUESTION 33

A host has been placed into maintenance mode in a Distributed Resource Scheduler (DRS) enabled cluster for patching. The virtual machines have not migrated as expected. DRS settings have been verified as fully automated at the cluster level.

What would cause this condition?

- A. The selected host is using a different ESXi version than the rest of the cluster.
- B. vMotion is not enabled on the vMotion vmkernel interface for the selected host.
- C. The high availability agent has not been properly installed on the selected host.
- D. DNS is not enabled at the host level for the selected host.

Correct Answer: B

Section:

QUESTION 34

Which two statements are correct regarding VCE implementation of a persistent scratch partition? (Choose two.)

- A. You must configure a persistent scratch partition on the boot-from-SAN VMFS data store.
- B. You must configure a persistent scratch partition on the boot-from-SAN NFS data store.
- C. Vblock Systems use centralized monitoring with syslog and SNMP in place of a persistent scratch location.
- D. VCE uses the persistent scratch partition to ensure that critical log files are available.

Correct Answer: A, D

Section:

Explanation:

Modified now.

QUESTION 35

On a Vblock System 720, what is the VCE supported tool used to manage a storage array?

- A. Unisphere for VMAX
- B. Ionix ControlCenter
- C. Symmetrix System Viewer
- D. Symmetrix Management Console

Correct Answer: A

Section:

QUESTION 36

In a Vblock System 720, what is the maximum standard LUN size on an EMC Symmetrix VMAX 10K/20K/40K?

- A. 20 GB
- B. 64 GB
- C. 240 GB
- D. 2,457 GB

Correct Answer: C

Section:

QUESTION 37

In the Vblock System 720, what describes the VCE standard method of zoning?

- A. multi initiator to single target
- B. single initiator to multi target
- C. single initiator to single target
- D. multi initiator to multi target

Correct Answer: C

Section:

QUESTION 38

You are assigned to deploy a new host in a Vblock System, with block storage attached. Which type of zoning would be performed on the Cisco 9148 switch to accomplish this task?

- A. port zoning
- B. WWPN zoning
- C. symbolic node name zoning
- D. WWNN zoning

Correct Answer: B

Section:

QUESTION 39

You have just deployed a new ESXi host in a Vblock System 320 and only have TCP/IP available for storage access. Which protocol would be used for data store access?

- A. NFS
- B. CIFS
- C. iSCSI
- D. FCP

Correct Answer: A

Section:

QUESTION 40

What is a zone set?

- A. a collection of WWNs in a zone
- B. a collection of zones
- C. a collection of HBAs in a zone
- D. a collection of Fibre Channel addresses in a zone

Correct Answer: B

Section:

QUESTION 41

Which two storage connectivity types are associated with block level access? (Choose two.)

- A. NFS
- B. iSCSI
- C. CIFS
- D. FCP

Correct Answer: B, D

Section:

QUESTION 42

For which data type is NAS used?

- A. block level access
- B. file level access
- C. fixed content
- D. object content

Correct Answer: B

Section:

QUESTION 43

You are required to setup the network interface on a Vblock System 320 storage array, which is used for file level access.

In which mode should the interface be configured?

- A. fail safe networking
- B. link aggregation
- C. Ethernet channel
- D. network trunking

Correct Answer: B

Section:

QUESTION 44

How many parity disks are in a RAID 5 configuration?



- A. 1
- B. 2
- C. 3
- D. 4

Correct Answer: A

Section:

Explanation:

Corrected.

QUESTION 45

What information is displayed when an administrator uses the show vsan membership command on a Cisco MDS switch?

- A. information for a specific VSAN
- B. membership information for all VSANs
- C. membership information for a specified VSAN
- D. zone database information for a specific VSAN

Correct Answer: B

Section:

QUESTION 46

On a Vblock System 320, each VMware ESXi host will boot from a SAN-attached boot drive presented from the EMC VNX array.

Which statement is true according to VCE standards for boot LUNs?

- A. Use Fibre Channel drives to create a RAID group, use RAID-5 4+1 RAID group, then create a 20 GB LUN.
- B. Use Fibre Channel drives to create a RAID group, use RAID-5 7+1 RAID group, then create a 20 GB LUN.
- C. Use SAS drives to create a RAID group, use RAID-5 4+1 RAID group, then create a 20 MB LUN.
- D. Use SAS drives to create a RAID group, use RAID-5 4+1 RAID group, then create a 20 GB LUN.

Correct Answer: D

Section:

QUESTION 47

What are three supported drive types for Vblock System 320 arrays? (Choose three.)

- A. EFD
- B. SATA
- C. SAS
- D. NL-SAS
- E. FC

Correct Answer: A, C, D

Section:

QUESTION 48

What is the hot spare drive requirement for a Vblock System 320 storage array?

- A. Hot spare drives must exist for every 100 drives of any type drive in the array.
- B. Hot spare drives must exist for every 100 drives of the same type drive in the array.
- C. Hot spare drives must exist for every 30 drives of the same type drive in the array.
- D. Hot spare drives must exist for every 30 drives of any type drive in the array.

Correct Answer: C

Section:

QUESTION 49

On a Vblock System 720 storage array, LUNs are presented to a server through a masking view. Which three components are included? (Choose three.)

- A. initiator group
- B. storage group
- C. WWN group
- D. LUN group
- E. port group

Correct Answer: A, B, E

Section:

QUESTION 50

An ESXi host connected to a Vblock System 720 storage array requires a new 2 TB LUN. According to VCE best practice, which type of device must be created to add to the host?

- A. 4 member striped meta
- B. 4 member concatenated meta
- C. 8 member striped meta
- D. 8 member concatenated meta

Correct Answer: C

Section:

QUESTION 51

A SAN administrator must use the zone commit command to activate a zone set on a Cisco MDS 9148. Which feature is enabled on the switch?

- A. hardware zoning by access control lists
- B. enhanced zoning
- C. extended broadcast zoning
- D. basic zoning

Correct Answer: B

Section:

QUESTION 52



On the Vblock System 720, which two workload types require separate disk groups? (Choose two.)

- A. RecoverPoint
- B. bare metal blades
- C. Oracle
- D. SAP

Correct Answer: A, B

Section:

QUESTION 53

Which Cisco Unified Computing System (UCS) server model is a rack-mount server used in a Vblock System?

- A. A-Series
- B. B-Series
- C. C-Series
- D. D-Series

Correct Answer: C

Section:

QUESTION 54

In Cisco UCSM, which policy allows you to enable the Cisco Discovery Protocol (CDP)?

- A. Adapter Policy
- B. Dynamic vNIC Connection Policy
- C. QoS Policy
- D. Network Control Policy

Correct Answer: D

Section:

QUESTION 55

What are three components of the Cisco UCS system that make up the Vblock System 320 compute layer? (Choose three.)

- A. X-Blade Data Movers
- B. fabric interconnect
- C. Cisco Nexus switch
- D. fabric extenders
- E. chassis

Correct Answer: B, D, E

Section:

QUESTION 56

What is the number of domains required when deploying a Vblock System 720 with 16 UCS chassis on a single pair of fabric interconnects?



- A. 1
- B. 2
- C. 4
- D. 8

Correct Answer: A

Section:

QUESTION 57

You are asked to deploy a base configuration Vblock System 320.
How many Cisco UCS blades will be installed?

- A. 2
- B. 4
- C. 8
- D. 16

Correct Answer: B

Section:

QUESTION 58

What are two supported link configurations between the Cisco 2208 I/O Module and the Cisco UCS 6296UP fabric interconnects for a Vblock System 320? (Choose two.)

- A. 2
- B. 4
- C. 8
- D. 16

Correct Answer: B, C

Section:

QUESTION 59

Which Vblock System component provides network connectivity and management capabilities to the Cisco Unified Computing System (UCS) blades and chassis?

- A. fabric extender
- B. fabric interconnect
- C. NXOS
- D. CIMC

Correct Answer: B

Section:

QUESTION 60

How many on-board unified ports does the Cisco Unified Computing System (UCS) 6296UP fabric interconnect provide?

- A. 48
- B. 62



- C. 96
- D. 97

Correct Answer: A

Section:

QUESTION 61

During a Vblock System 320 deployment, the implementation engineer needs to access UCS Manager to verify the compute configuration. Which two IP addresses are used to open the GUI? (Choose two.)

- A. the primary switch IP address
- B. the secondary switch IP address
- C. the virtual IP address
- D. the CIMC IP address

Correct Answer: A, C

Section:

QUESTION 62

During a Vblock System 320 deployment, the customer wants to disassociate four half-width blades in a single chassis for a future project. Which tool is used to perform this compute reconfiguration?

- A. vSphere
- B. CIMC
- C. Unisphere
- D. UCSM

Correct Answer: D

Section:

QUESTION 63

During a Vblock System 200 deployment, a single server did not power on and a replacement has been received. Which management interface is used to prepare the server for installation?

- A. vSphere
- B. CIMC
- C. Unisphere
- D. UCSM

Correct Answer: B

Section:

QUESTION 64

At which link speed do the fabric extenders (FEX) within the Cisco UCS chassis connect to Cisco fabric interconnects?

- A. 2 GbE
- B. 4 GbE



- C. 8 GbE
- D. 10 GbE

Correct Answer: D

Section:

QUESTION 65

After the installing the Cisco Nexus 1000V, the administrator uses the command show svcs connections. This command shows the connection status of which component?

- A. ESXi host
- B. vCenter server
- C. Secondary Virtual Supervisor Module
- D. VMware Update Manager (VUM)

Correct Answer: B

Section:

QUESTION 66

What are three hardware components that make up the high availability Advanced Management Pod (HA-AMP)? (Choose three.)

- A. Cisco Nexus 1000V
- B. Cisco Catalyst 3560
- C. EMC VNXe
- D. Cisco UCS C220
- E. Cisco Nexus 5548

Correct Answer: B, C, D

Section:

QUESTION 67

Your company wants to deploy a new Vblock System mini Advanced Management Pod (mini-AMP). Which two hardware components are required? (Choose two.)

- A. Cisco Catalyst 3560
- B. Cisco MDS 9148
- C. EMC VNX
- D. Cisco UCS C220

Correct Answer: A, D

Section:

QUESTION 68

A customer would like to add a new production VLAN to their Vblock System with UIM/P. The VLAN was added to the UIM/P service profile, and the connected Cisco Nexus 5000. The customer is still not able to use the new VLAN with a virtual machine.

Which step must the customer complete?



- A. Create a new VSAN.
- B. Add the VLAN to Cisco Nexus 1000V.
- C. Add the VLAN to Cisco Catalyst 3560.
- D. Disable spanning tree on UCS.

Correct Answer: B

Section:

Explanation:

Rechecked, it's right.

QUESTION 69

Which tool in the Advanced Management Pod (AMP) would a customer use to determine if their Vblock System is compliant with a specific Release Certification Matrix (RCM)?

- A. VMware Update Manager
- B. VCE Vision Intelligent Operations
- C. array management server
- D. VMware vCenter Server Inventory Service

Correct Answer: B

Section:

QUESTION 70

A customer wants to ensure that the new installed Vblock System 320 storage array is being monitored by EMC.

Which EMC monitoring tool must be installed to accomplish this?

- A. Data Center Network Manager (DCNM)
- B. EMC Secure Remote Support (ESRS)
- C. EMC OnAlert
- D. ConnectEMC

Correct Answer: B

Section:

QUESTION 71

Which two steps are required to complete a Cisco UCS Smart Call Home registration on a Vblock System? (Choose two.)

- A. After receiving the e-mail response from Cisco, click the link in the e-mail to complete registration for Smart Call Home.
- B. Select "Send System Inventory Now" in UCSM.
- C. Configure UCSM to send periodic system inventory messages.
- D. Configure the SNMP trap destination.

Correct Answer: A, B

Section:

QUESTION 72

Which port is used for communication between EMC Secure Remote Support (ESRS) and the Policy Manager?



- A. 443
- B. 5414
- C. 8090
- D. 8443

Correct Answer: D

Section:

QUESTION 73

Which two statements are correct about Vblock System Release Certification Matrix (RCM) upgrades? (Choose two.)

- A. The RCM must be applied by VCE certified resources.
- B. When upgrading to a new RCM, all components may not require an upgrade.
- C. The most recent RCM version must be applied.
- D. An addendum to the RCM may be issued to address a bug or software issue.

Correct Answer: B, D

Section:

QUESTION 74

Which Cisco Catalyst switch is used for network management on a Vblock System 200?

- A. Cisco Catalyst 2960
- B. Cisco Catalyst 3560
- C. Cisco Catalyst 3750
- D. Cisco Catalyst 4500



Correct Answer: C

Section:

QUESTION 75

The implementation profile located in the Logical Configuration Survey (LCS) identifies if the customer will be using which two solutions? (Choose two.)

- A. EMC SnapView
- B. Cisco IAC
- C. Cisco Unified Communications
- D. VMware vCloud Director

Correct Answer: C, D

Section:

QUESTION 76

What are three requirements of the Vblock System test plan? (Choose three.)

- A. All tests identified in the test plan must be executed.
- B. Observed results must be documented by a VCE certified resource.
- C. Tests are confidential and must not be performed in view of the customer.

- D. Once tests are completed, the customer must sign the test plan document.
- E. A completed test plan must be submitted to the VCE project manager.

Correct Answer: B, D, E

Section:

QUESTION 77

Which test is only performed on a Vblock System 320 that contains a high availability Advanced Management Pod (HA-AMP)?

- A. Cisco blade server failure test
- B. Cisco UCS single power supply failure test
- C. Cisco Catalyst 3560 failure and recovery test
- D. Cisco UCS C220 failover test

Correct Answer: D

Section:

QUESTION 78

Your manager asks you to configure an external Syslog on VMware ESXi hosts. In which two ways would the Syslog be configured? (Choose two.)

- A. using the vSphere client
- B. using the esxcli system syslog command
- C. using VMware Update Manager
- D. using the VMware SQL database

Correct Answer: A, B

Section:

QUESTION 79

When performing hardware maintenance on a Cisco UCS B-Series blade, which GUI parameter should be selected before removing the blade out of the chassis?

- A. Remove
- B. Re-acknowledge
- C. Decommission
- D. Diagnostic Interrupt

Correct Answer: C

Section:

QUESTION 80

A customer notices a failed drive error for a Vblock System 320 storage array on an EMC Unisphere screen. Which logs must be collected and sent to VCE support to confirm that the drive has failed?

- A. SPcollects
- B. NAR files
- C. symapi.log



D. EMC Grab

Correct Answer: A

Section:

QUESTION 81

Which Cisco management software is required to setup EMC e-mail home for Cisco MDS switches?

- A. Cisco Data Center Network Manager (Cisco DCNM-SAN)
- B. Cisco Unified Computing System Manager (Cisco UCSM)
- C. Cisco Smart Call Home (Cisco SCH)
- D. Cisco Terminal Access Controller Access Control System (Cisco TACACS)

Correct Answer: A

Section:

